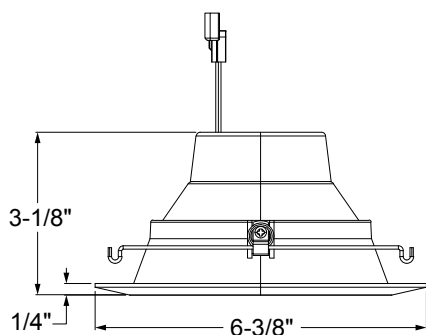


**JUNO**<sup>®</sup>**RLD Series LED Downlight Retrofit**

5" LED Retrofit Baffle Trim Module

**5RLD G4 Series****Dimensions**

Ships with:

**E26 Adapter**

Project:
Fixture Type:
Location:
Contact/Phone:

**Product Features**

The 5" RLD LED module provides an affordable means to create a well lit environment with exceptional energy efficiency and near zero maintenance. Great for retrofit into existing downlight cans or for use in new construction and remodel applications. The LED module maintains at least 70% light output for 50,000 hours.

- Durable die-cast aluminum all-in-one design replaces traditional lamp and trim for energy savings
- Crisp baffle grooves and deep source regression minimizes glare and ceiling brightness
- Dedicated 5" trim size provides proper scale and aesthetics to replace 5" legacy trims with minimal flange thickness

**Applications**

- Retrofit into existing downlight cans or use as an economical LED solution for new construction downlighting in residential and light commercial applications
- Torsion springs are pre-installed for ease of installation and suitable for installation in 5" standard and shallow-height housings
- Wet rated and air-loc: perfect for showers and bathrooms

**Performance**

Delivered Lumens	Nominal 700L
LED Color Temperature	2700K, 3000K
CRI	90+
Voltage	Dedicated 120V
Dimming	Dimmable flicker-free dimming from 100% to 5%

For a list of compatible dimmers see [JUNORETROBASICS-DIM](#)

**Specifications**

Aperture:	5"
Ceiling opening:	5.25"
Overlap trim:	6.375"
Height:	3.125"



# RLD Series LED Downlight Retrofit

## 5" LED Retrofit Baffle Trim Module



### ORDERING INFORMATION

#### Downlight

Example: 5RLD G4 07LM 27K 90CRI 120 FRPC WWH

Trim Series	Generation	Lumens	Color Temperature	Color Rendering Index	Voltage	Driver	Finish
5RLD 5" Juno Retrofit Downlight	G4 Generation 4	07LM 700 Nominal Lumens	27K 2700K 30K 3000K	90CRI 90+ CRI	120 120V	FRPC Forward/Reverse Phase Cut	WWH White, White Trim Ring

#### Housing options : Order as separate catalog number.

IC25	5" IC shallow new construction housing	L5LED T24	5" new construction housing LED base
IC25R	5" IC shallow remodel housing	LSRLED T24	5" remodel housing LED base
IC20	5" IC new construction housing	L5	5" new construction housing
IC20R	5" IC remodel housing	LSR	5" new construction housing
IC20N	5" IC new construction housing, no plate		
IC20 LEDT24	5" IC dedicated LED new construction housing		
IC20R LEDT24	5" IC dedicated LED remodel housing		

#### Accessories: Order as separate catalog number.

LEDRETROWHIP	Replacement E26 screw base adapter for installation into incandescent housings
--------------	--



# RLD Series LED Downlight Retrofit

5" LED Retrofit Baffle Trim Module



## Specifications

### LED Downlight Retrofit Trim

Cast aluminum trim with white baffle and flange • All-in-one design where LED light engine mounts directly to trim for ease of installation into existing 5" recessed housings with medium base sockets • Provided with torsion springs.

### LED Light Engine

LEDs are mounted directly to cast aluminum housing providing superior thermal management to ensure long life • 2700K and 3000K LED color temperature • 90 CRI minimum • Accommodates 120 volts AC at 60Hz • Dimmable with most standard incandescent, magnetic low voltage and electronic low voltage dimmers • For a list of compatible dimmers, see JUNORETROBASICS-DIM.

### Electrical Connections

Trim features quick connect plug installed as standard for installation into IC20 LEDT24 and IC20R LEDT24 housings with mating connector • Trim ships as standard with a medium base socket adapter whip for installation into 5" incandescent housings with medium base sockets.

### Trim

Cast aluminum baffle trim with white finish • Diffusing lens conceals the LEDs from direct view and provides uniform aperture luminance.

### Life

Rated for 50,000 hours at 70% lumen maintenance.

### Labels

ENERGY STAR® Certified • Can be used to comply with 2019 Title 24, Part 6, JA8 high efficacy LED light source requirements • T20 Certified • UL and cUL classified for use with most standard UL listed 5" recessed incandescent housings and Juno IC20 LEDT24 and IC20R LEDT24; see below for specific compatibility requirements • Damp location • Suitable for wet locations (indoor covered ceilings).

### Testing

All reports are based on published industry procedures; field performance may differ from laboratory performance.

**Warranty** 5-year limited warranty. Complete warranty terms located at: [www.acuitybrands.com/CustomerResources/Terms\\_and\\_conditions.aspx](http://www.acuitybrands.com/CustomerResources/Terms_and_conditions.aspx)

Specifications subject to change without notice.

## PERFORMANCE DATA

	700L	
	27K	30K
Input Voltage	120V	120V
Input Power Typical	8W	8W
Frequency	60Hz	60Hz
EMI/RFI	FCC Title 47, Part 15 Class B (consumer)	FCC Title 47, Part 15 Class B (consumer)
Minimum Starting Temp	-30°C (-22°F)	-30°C (-22°F)
CRI	90 min.	90 min.
CCT	2700K	3000K