

Pilot and Signaling Devices Heavy-Duty 22.5 mm Watertight/Oiltight Accessories C-2000

Enclosures

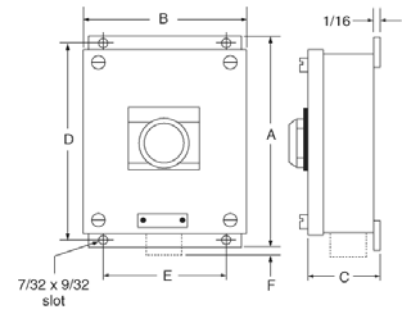
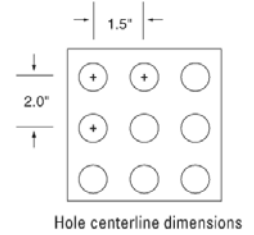
Outlines and Dimensions [in.(mm)] (For Estimating Only)

600 VAC Max., 300 VDC Max.

10 Amps Continuous AC, 2.5 Amps Continuous DC

Enclosure Only

Product Number	Dimension A in (mm)	Dimension B in (mm)	Dimension C in (mm)	Dimension D in (mm)	Dimension E in (mm)	Dimension F in (mm)	Hub Dimension (in)
080HEG11	5.50 (139.7)	3.50 (88.9)	4.25 (108.0)	5.00 (127.0)	2.38 (60.4)	.31 (7.9)	0.75
080HEG12	7.75 (196.8)	3.50 (88.9)	4.25 (108.0)	7.25 (184.2)	2.38 (60.4)	.31 (7.9)	0.75
080HEG13	10.00 (254.0)	3.50 (88.9)	4.25 (108.0)	9.50 (241.3)	2.38 (60.4)	.31 (7.9)	0.75
080HEG14	13.38 (339.8)	3.50 (88.9)	4.25 (108.0)	12.88 (327.2)	2.38 (60.4)	.31 (7.9)	1
080HEG32	8.25 (209.6)	6.50 (165.1)	4.25 (108.0)	7.75 (196.8)	5.88 (149.4)	.31 (7.9)	1
080HEG33	10.50 (266.7)	9.25 (235.0)	4.25 (108.0)	10.00 (254.0)	5.88 (149.4)	.31 (7.9)	1.25
080HEG43	10.50 (266.7)	9.25 (235.0)	4.25 (108.0)	10.00 (254.0)	8.19 (208.0)	.31 (7.9)	1.5
080HEG44	12.75 (323.8)	11.50 (292.1)	4.25 (108.0)	12.25 (311.2)	8.19 (208.0)	.31 (7.9)	1.5
080HEG64	12.75 (323.8)	11.50 (292.1)	4.25 (108.0)	12.25 (311.2)	10.38 (263.6)	.31 (7.9)	1.5
080HEG65	15.00 (381.0)	11.50 (292.1)	4.25 (108.0)	14.50 (368.3)	10.38 (263.6)	.38 (9.6)	1.5
080HES11	5.50 (139.7)	3.50 (88.9)	4.25 (108.0)	5.00 (127.0)	2.38 (60.4)	.31 (7.9)	0.75
080HES12	7.75 (196.8)	3.50 (88.9)	4.25 (108.0)	7.25 (184.2)	2.38 (60.4)	.31 (7.9)	0.75
080HES13	10.00 (254.0)	3.50 (88.9)	4.25 (108.0)	9.50 (241.3)	2.38 (60.4)	.31 (7.9)	0.75
080HES14	13.38 (339.8)	3.50 (88.9)	4.25 (108.0)	12.88 (327.2)	2.38 (60.4)	.31 (7.9)	1
080HES32	8.25 (209.6)	6.50 (165.1)	4.25 (108.0)	7.75 (196.8)	5.88 (149.4)	.31 (7.9)	1
080HES33	10.50 (266.7)	9.25 (235.0)	4.25 (108.0)	10.00 (254.0)	5.88 (149.4)	.31 (7.9)	1.25
080HES43	10.50 (266.7)	9.25 (235.0)	4.25 (108.0)	10.00 (254.0)	8.19 (208.0)	.31 (7.9)	1.5
080HES44	12.75 (323.8)	11.50 (292.1)	4.25 (108.0)	12.25 (311.2)	8.19 (208.0)	.31 (7.9)	1.5
080HES64	12.75 (323.8)	11.50 (292.1)	4.25 (108.0)	12.25 (311.2)	10.38 (263.6)	.31 (7.9)	1.5
080HES65	15.00 (381.0)	11.50 (292.1)	4.25 (108.0)	14.50 (368.3)	10.38 (263.6)	.38 (9.6)	1.5



Sheet- and stainless-steel enclosures

Enclosure Only Forms

