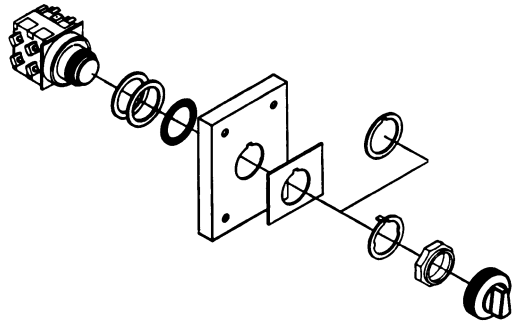
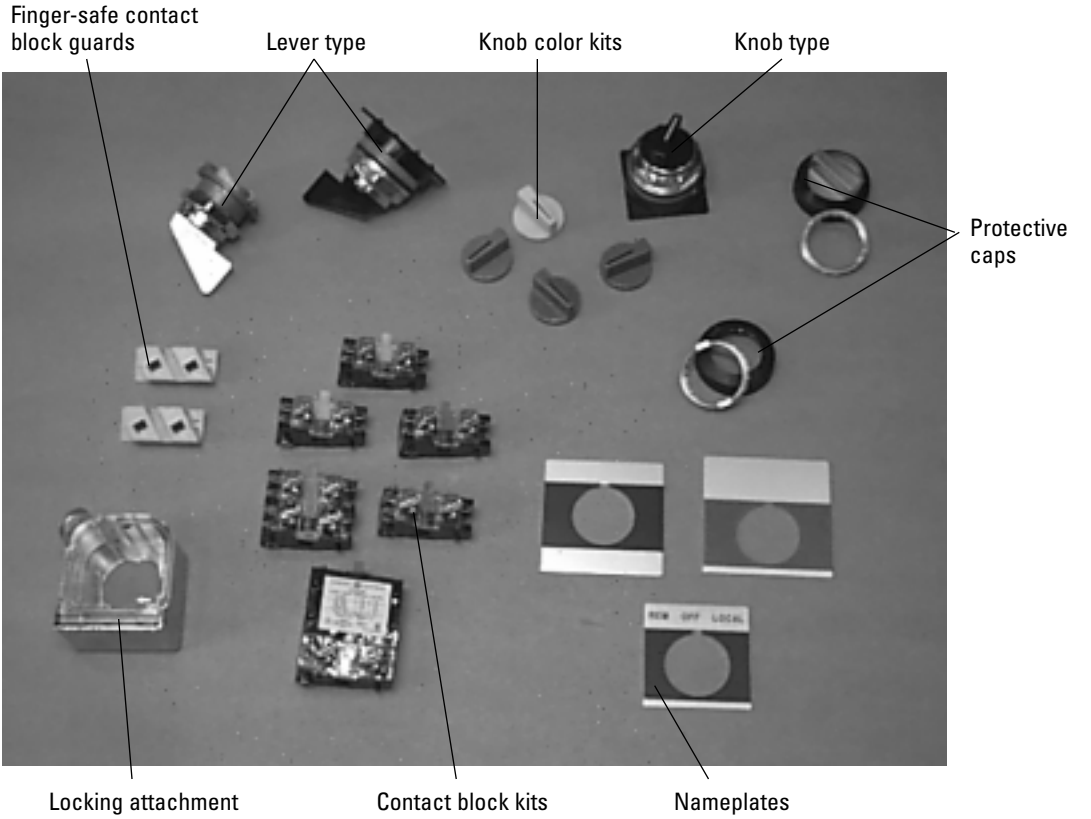


Non-illuminated Selector Switches, 3-position



- Knob**
 - Interchangeable design
 - 5 colors: red, green, yellow, blue, black + levers in black and chrome for gloved-hand operation
- Operator With Cam**
 - 3-position forms
 - Multiple cam configurations allow optimum versatility
 - Maintained and spring return forms
- Contact Blocks**
 - Color coded for quick installation
 - Maximum of 6 single or 6 double contact blocks
 - Visible contacts for easy, accurate inspections
 - Special applications: gold flashed, reed switch

Accessories



Non-illuminated Selector Switches, 3-position

C R 1 0 4 P S							Type	Operation	Cam	Color	Contacts	Key Removal	Key Type
													Used only with key-operated selector switches

G = Knob-operated
M = Lever-operated
K = Key-operated
3 = Maintained
7 = Spring return left
8 = Spring return right
9 = Spring return left & right

2
3
4
5
6

Blank = None
00 = None (Key-operated)
91 = 1NO/1NC
92 = 2NO/2NC

Blank = Standard
51 = CH501

Availability

A = Chrome
B = Black
E = Yellow
G = Green
L = Blue
R = Red

Knob	Lever	Key

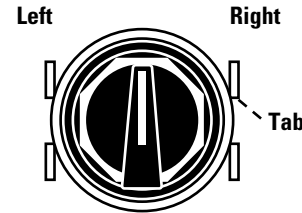
Key removal
C = ↑
D = ↖↑
L = ↖
M = ↖↗
R = ↗
Q = ↑↗
W = ↖↑↗

Availability

Maintained	Spring return from		
	Left ↖	Right ↗	L & R ↖↗

Cam

Cam Code	Operator Position			Type Of Contact	Contact Mounting Position
	Left ↖	Center ↑	Right ↗		
2	0	X	0	NC	Left or Right
	X	0	0	NO	Left or Right
3	0	X	0	NC	Left or Right
	0	0	X	NO	Left or Right
4	X	0	0	NC	Left or Right
	0	0	X	NO	Left or Right
5	X	0	0	NC	Left
	0	X	0	NC	Right
	0	0	X	NO	Left or Right
6	X	X	0	NC	Left
	0	0	X	NO	Left
	0	X	X	NC	Right
	X	0	0	NO	Right



Always view left-right facing operator

Tip for Quick Service: Not all operator, cam and color combination variations are stock. Use 34B, 74B and 94B as samples for mechanical review.