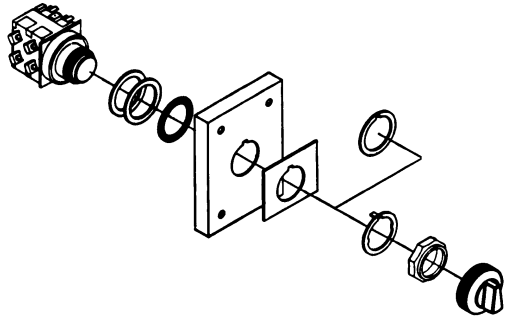
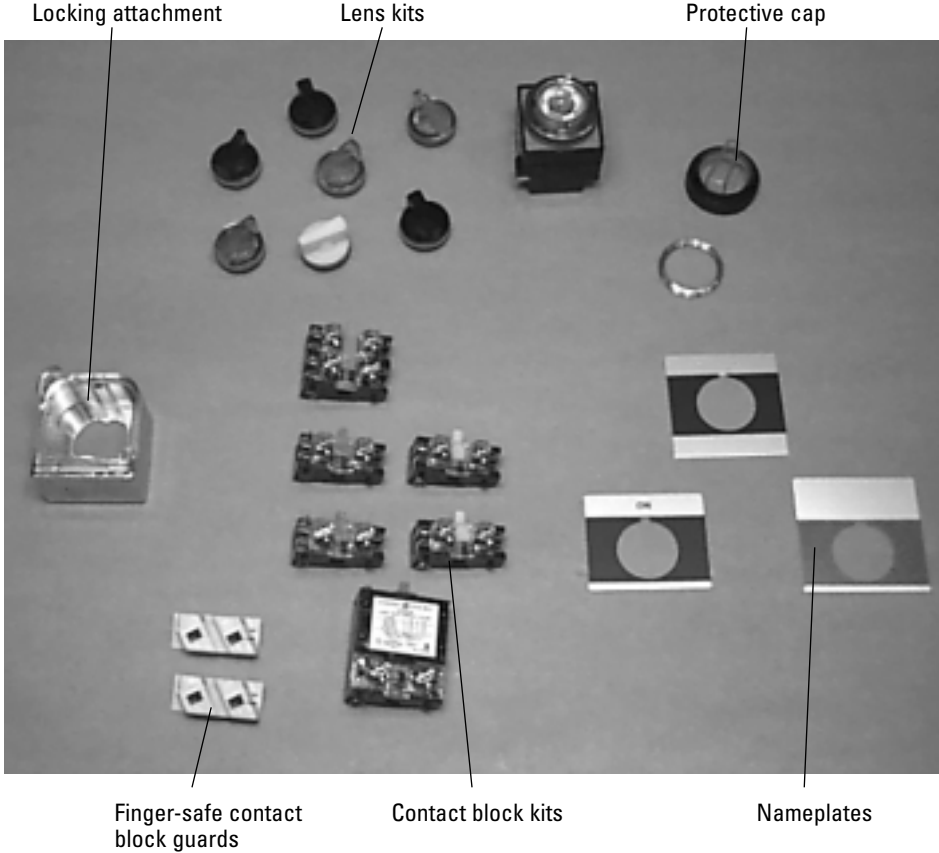


Illuminated Selector Switches, 2-position



- Knob**
 - Interchangeable design
 - 6 colors: red, green, yellow, blue, amber, white + clear
- Lamp**
 - Incandescent, LED, neon
- Operator With Cam**
 - 2-position forms
 - Multiple cam configurations allow optimum versatility
 - Maintained and spring return forms
- Power Supply**
 - 3 types: full voltage, transformer, resistor
- Contact Blocks**
 - Color coded for quick installation
 - Maximum of 4 single or 2 double contact blocks
 - Visible contacts for easy, accurate inspections
 - Special applications: gold flashed, reed switch

Accessories



Illuminated Selector Switches, 2-position

| Power Supply | | Maintained Operation & Cam | | Color | | Contacts | | Lamp | Voltage | | | | | |
|--------------|----------|----------------------------|----------|----------|----------|----------|--|----------|----------|--|--|--|--|--|
| C | R | 1 | 0 | 4 | P | S | | 2 | 1 | | | | | |

L = Full voltage
T = Transformer

A = None
C = Clear
E = Yellow
G = Green
L = Blue
M = Amber
R = Red
W = White

00 = None
01 = 1NC
10 = 1NO
11 = 1NO/1NC
22 = 2NO/2NC

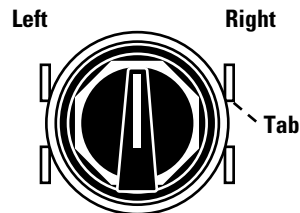
L = LED
S = Standard

2 = 120V
3 = 240V
4 = 480V
5 = 600V
6 = 6V
7 = 12V
8 = 24V

Operation & Cam

| Operation | Operator Position | | Type Of Contact | Contact Mounting Position |
|----------------|-------------------|---------|-----------------|--------------------------------|
| | Left ↖ | Right ↗ | | |
| Maintained(21) | X 0 | 0 X | NC NO | Left or Right Left or Right |

Tip for Quick Service: For small quantities, order selector switch without lens; order lenses E, G, L, M or R; and contact blocks separately.



Always view left-right facing operator

Available Combinations

| Power Supply & Lamp | Lens Color Code | Voltage | | | | | | |
|---------------------|-----------------|---------|----|----|-----|-----|-----|-----|
| | | 6 | 12 | 24 | 120 | 240 | 480 | 600 |
| Full Voltage | All | | | | | | | |
| Full Voltage LED | E,G,M,R | | | | | | | |
| Transformer | All | | | | | | | |
| Transformer LED | E,G,M,R | | | | | | | |
| Resistor | All | | | | | | | |
| Neon | R,W,C | | | | | | | |