

Mini-Com® Ultimate ID® Stainless Steel Faceplates

specifications

Ultimate ID Stainless Steel Faceplates shall be available in 2, 4 & 6 port vertical single gang. Faceplates shall accept all Mini Com modules for UTP, STP, fiber and AV applications. Faceplates shall have a flush profile; brushed finish stainless steel material shall be attached to a high impact ABS backing to provide a durable faceplate. Ultimate ID stainless steel Faceplates comply with the latest TIA-606-B labeling standard by providing clear labeling capabilities



technical information

Material:	304 grade stainless steel with satin finish is mounted on ABS backing
Mounting options:	Screw holes with retention tabs, spaced for single gang openings: compatible with Panduit wall board adapters
Packaging:	Supplied with two 1" long, #6-32 slotted head screws, one clear and one opaque screw cover and appropriate clear cover for ports. Labels not included.

key features and benefits

Durable	Impact resistant material
Modular	Accepts all Panduit Mini Com modules to mix and match media types in same faceplate
Port Identification	Designed to efficiently support TIA-606-B standard labeling requirements by providing a clear way to identify the connections (labels not included)
Various port densities	Provides design flexibility
Slotted screw hole	Allows faceplate to be adjusted to ensure proper alignment

applications



For example:
1A-B02 = origination point first floor,
TS A, patch panel B, position 02

Mini-Com® Ultimate ID Stainless steel faceplates are ideal for multimedia applications, 304 grade is easy to clean making it suitable for hospitals, laboratories, schools and office environments. They accept all Mini Com modules for easy moves, adds and changes. Available in various port densities to fit most needs. Faceplates include dedicated label pockets above the ports; it utilizes one of the screw pockets as an additional label area to identify the origination point.

Faceplates are compatible with standard size single gang junction boxes. Faceplates can also be mounted to wall board adapters and raceway mounting brackets.

Labeling is easy with Panduit printable labels. If labels are not needed, optional matching screw covers can be used to conceal the screws and will mount flush with the faceplate for a clean look.

Mini-Com® Ultimate ID Stainless Steel Faceplates

Vertical	
2-port:	UICFP2S
4-port:	UICFP4S
6-port:	UICFP6S

Labels White, non-adhesive polyester

Desktop Printer

1-port:	UILJ1
2-port:	UILJ2
3-port:	UILJ3
4-port:	UILJ4
Combo:	UILJCOMBO

Handheld Printer

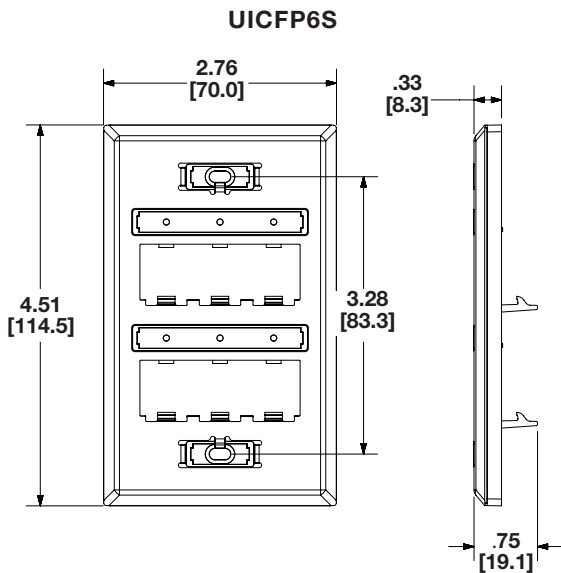
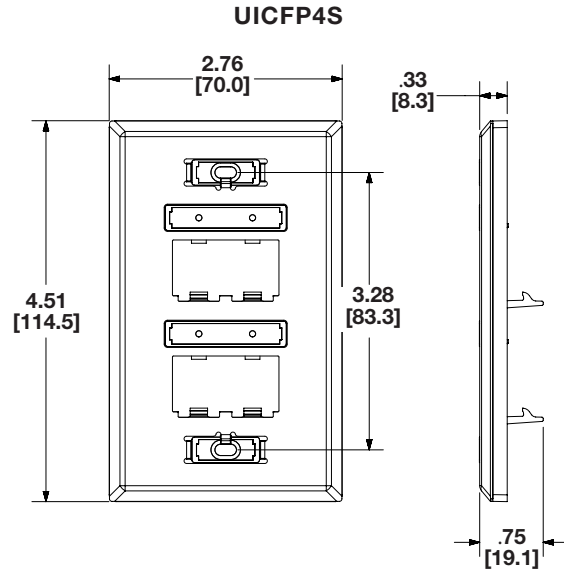
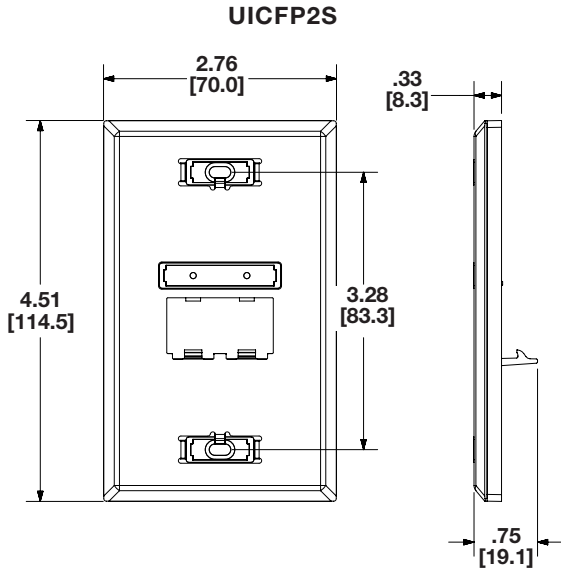
Cassette:	UILS8BW
------------------	---------

Label Covers

1-port:	UILC1^X
2-port:	UILC2CL-X
3-port:	UILC3CL-X

^ UILC1^X available colors are: CL (Clear), IG (International Gray)

Mini-Com® Ultimate ID® Stainless Steel Faceplates



Dimensions are in inches. [Dimensions in brackets are metric].

WORLDWIDE SUBSIDIARIES AND SALES OFFICES

PANDUIT US/CANADA
Phone: 800.777.3300

PANDUIT EUROPE LTD.
London, UK
cs-emea@panduit.com
Phone: 44.20.8601.7200

PANDUIT SINGAPORE PTE. LTD.
Republic of Singapore
cs-ap@panduit.com
Phone: 65.6305.7575

PANDUIT JAPAN
Tokyo, Japan
cs-japan@panduit.com
Phone: 81.3.6863.6000

PANDUIT LATIN AMERICA
Guadalajara, Mexico
cs-la@panduit.com
Phone: 52.33.3777.6000

PANDUIT AUSTRALIA PTY. LTD.
Victoria, Australia
cs-aus@panduit.com
Phone: 61.3.9794.9020

For a copy of Panduit product warranties, log on to www.panduit.com/warranty

For more information

Visit us at www.panduit.com

Contact Customer Service by email: cs@panduit.com
or by phone: 800.777.3300

PANDUIT®

© 2017 Panduit Corp.
ALL RIGHTS RESERVED.
OTSP54--WW-ENG
12/2017