



► Model 300GC

SelecTone® 15W Amplified Speaker

Model 300GC SelecTone® Amplified Speaker is designed to produce crisp, clear tones, digital voice messages and live public address in harsh environments with high ambient noise levels.

The internal circuitry, tone module, and gain control are contained in a housing constructed of die-cast aluminum. All surfaces are sealed with powder-coat paint. Dust- and moisture-proof gaskets provide protection from the elements.

SelecTone Amplified Speakers are used individually or as part of a plant-wide emergency notification system. Model UTM Universal Tone Module with 32 tones, or model TM33-SD Custom Tone Module is plugged into a single SelecTone Amplified Speaker for stand-alone use or into a SelecTone Command Unit for plant-wide signaling.

For plant-wide signaling, a Connector Kit is installed into each SelecTone Amplified Speaker and wired to a central controller. SelecTone Command Units and CommCenter® Digital Message Centers broadcast tones, voice messages, melodies and live public address to an unlimited number of SelecTone Amplified Speakers.

Typical applications for SelecTone include emergency warning, plant evacuation, start and dismissal, public address, and process control signaling.

FEATURES

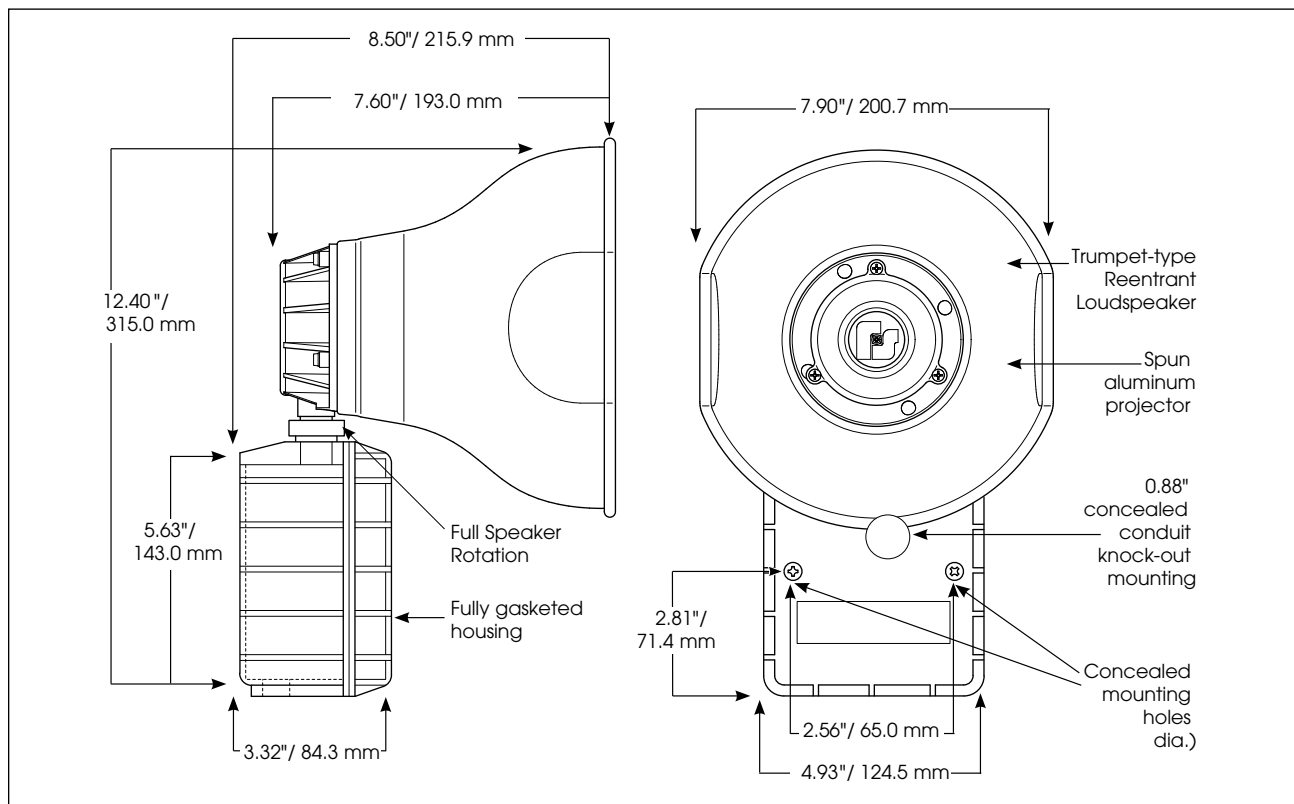
- Available in 24VAC/DC, 120VAC and 240VAC
- Built-in gain control, adjustable between 0 dBa to 110 dBa @ 10' (0 dBa to 120 dBa @ 1m)
- Cast copper free aluminum housing, spun aluminum projector
- Digital signal amplification
- Fused input and output
- Indoor/outdoor use
- Type 3R, IP54 enclosure
- CSFM Approved
- UL and cUL Listed

MODEL	VOLTAGE	OPERATING CURRENT	STANDBY CURRENT**	DECIBELS	
				10'	1M
300GC-024-*	24VDC	1.0 amps	50 mA	110	120
	24VAC 50/60Hz	1.0 amps	100 mA	110	120
300GC-120-*	120VAC 50/60Hz	0.25 amps	30 mA	110	120
300GC-240-*	240VAC 50/60Hz	0.15 amps	15 mA	110	120

* Indicates housing color: (-B) for Black housing, leave blank for Gray

** When used as a powered loud speaker

SelecTone® 15W Amplified Speaker (300GC)



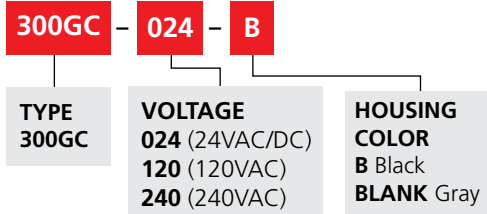
SPECIFICATIONS

Operating Temperature:	-67°F to 150°F	-55°C to 66°C
Rated Power:		15 watt
Net Weight:		
24VAC/DC	5.5 lbs	2.5 kg
120/240VAC	5.5 lbs	2.5 kg
Shipping Weight:		
24VAC/DC	6.7 lbs	3.0 kg
120/240VAC	6.7 lbs	3.0 kg
Height:	12.40"	315.0 mm
Width:	7.90"	200.7 mm
Depth:	8.50"	215.9 mm

REPLACEMENT PARTS

Description	Part Number
PCBA, 15W, 24VAC/DC	K2001961B-05
PCBA, 15W, 120/240VAC	K2001961B-04
XFMR, 15W, 120VAC, 1.3 AMP	K120857A
XFMR, 15W, 240VAC, 1.3 AMP	K120858A
Amplifier Assembly, 15W	K2005502A-04
Speaker Assembly, 15W	K8593082A
Voice Coil, 15W	K8593035A
Gasket	K288A043
Housing, 15W, Gray	K8473021A
Cover, Gray	K8473022A

HOW TO ORDER



1. Select Model
2. Select Required Accessory (sold separately)

A. For stand alone operation, select Tone Module:

UTM – Universal Tone Module
(Reference page 215 for list of tones)

TM33-SD – Custom Tone Module
(Reference page 217 for list of tones)

B. For use in systems*, select Connector Kit. (Reference page 218 for Connector Kits)

- AM25CK** – 25 Vrms, 1 Vrms
- AM70CK** – 70 Vrms, 1 Vrms
- 300CK** – 10 Vrms, 1 Vrms
- T-300CK** – 2.7 Vrms, 1 Vrms
- E-300CK** – 1 Vrms, 1 Vrms

*Call factory for design assistance