



► Model USIX

UniStat® Hazardous Location LED Status Indicator

The UniStat® is a LED based, multi-color, single-high status indicator.

Using the latest LED technology, this status indicator can produce three colors (Amber, Green and Red) or four colors (Amber, Blue, Green and Red) from a single light source.

The UniStat offers a choice of four integrated flash patterns – steady burn, slow flash, strobe flash and SimuStrobe™. SimuStrobe simulates the attention-getting flash rate of a strobe light but with a much more color-rich output. The user can choose a total of 12 possible flash/color combinations in the tri-color models and 16 in the quad-color models.

The USIX is protected in a durable polycarbonate housing utilizing 4-3/4-inch knockout conduit openings in the surface mount base. The outer glass globe is protected by a polycarbonate dome guard (included). Each model arrives pre-assembled and ready to surface mount.

FEATURES

- Available in 24VDC and 120VAC
- Tri or quad-color models
- 50,000 hours, vibration-resistant LED light source
- Surface mount
- PLC compatible
- Type 4X, IP66 enclosure
- IP69K compliant
- UL and cUL Listed for Class I, Division 2, Groups A, B, C and D; Class II, Division 2, Groups F and G; Class III

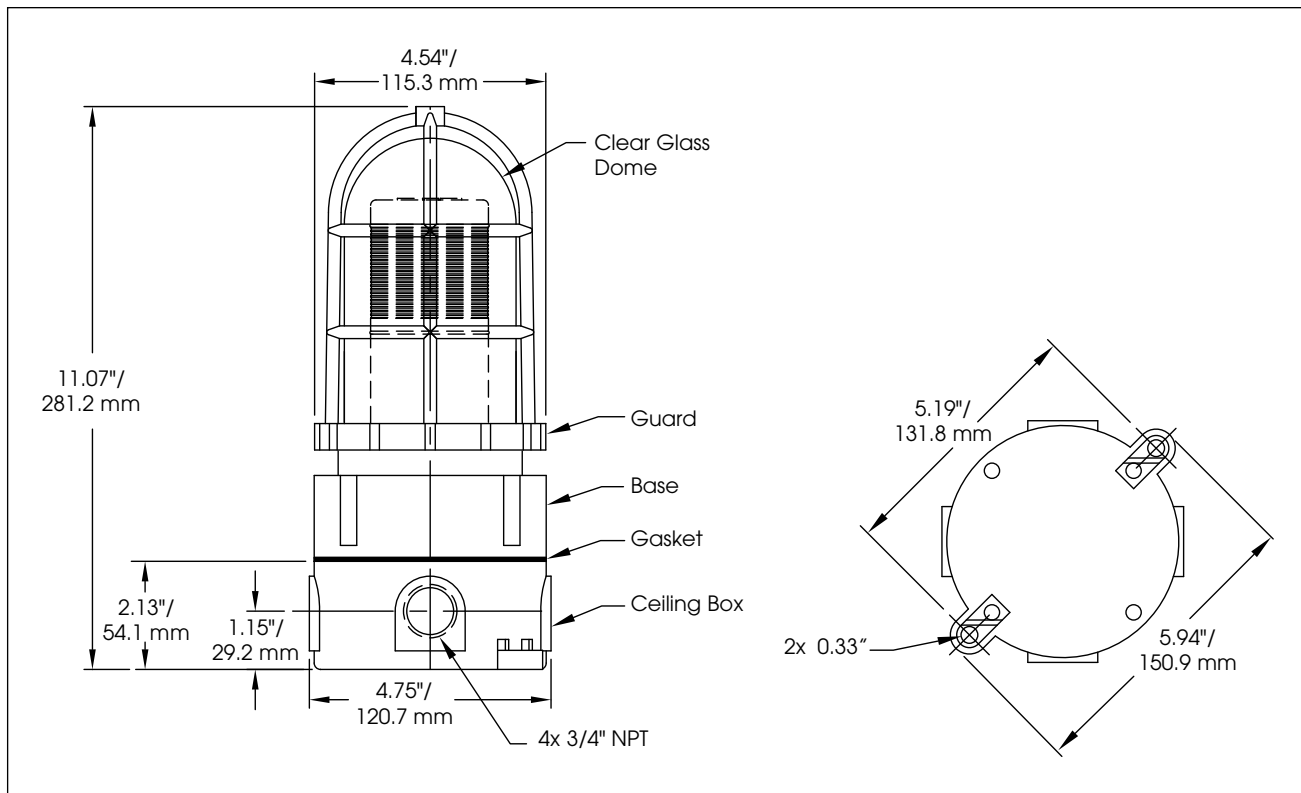
MODEL	DESCRIPTION	VOLTAGE	OPERATING CURRENT	MOUNT
USIX-024TC	Tri-color	24VDC	0.087 amps	Surface
USIX-120TC	Tri-color	120VAC	0.058 amps	Surface
USIX-024QC	Quad-color	24VDC	0.087 amps	Surface
USIX-120QC	Quad-color	120VAC	0.058 amps	Surface

HAZARDOUS LOCATION RATING: USIX

T-CODE AT MAXIMUM AMBIENT TEMPERATURE, °C

Hazardous Location	40°C	66°C
Class I, Division 2, Groups A, B, C, D	T6	T5
Class II, Division 2, Groups F, G	T6	T6
Class III	T6	T6

UniStat® Hazardous Location LED Status Indicator (USIX)



SPECIFICATIONS

Lamp Life:	50,000 Hours	
Light Source:	LED	
Operating Temperature:	-40°F to 150°F	-40°C to 66°C
Net Weight:	2.49 lbs	1.13 kg
Shipping Weight:	2.53 lbs	1.15 kg
Height:	11.07"	281.2 mm
Diameter:	4.75"	120.7 mm

REPLACEMENT PARTS

Description	Part Number
MicroStat UniStat Hardware Kit ¹	K844700351A
LED Tri-color	K2005328A
LED Quad-color	K2005328A-01

¹ Includes 1 lens of each color, cap, o-ring, and MicroStat light barrier

HOW TO ORDER

