



► Model 154XST

# Hazardous Location Supervised Strobe Light

Federal Signal's Model 154XST hazardous location strobe light is available in 24VDC with a 4-wire supervisable power circuit for fire alarm\* and suppression supervised control panels.

This hazardous location warning light has an aluminum base, coated for corrosion resistance that is ready for surface mounting or mounting on a 3/4-inch pipe. The dome guard (included) fits over the glass dome to protect it against accidental collision with moving equipment, such as forklifts.

This warning light can be used for plant evacuation or other communication needs.

\* Fire alarm applications are outside the scope of the UL and cUL certification, consult local Authorities Having Jurisdiction (AHJ)

## FEATURES

- Available in 24VDC
- Four wires and supervisory diode
- Five dome colors:  
Amber, Blue, Clear, Green and Red
- 10,000-hour high-intensity strobe
- 80 flashes per minute
- 520,000 peak candela (165 effective)
- 3/4-inch NPT pipe mount or surface mount options
- Dome guard included
- Conformal coated PCBA
- Indoor/outdoor use
- Type 4X, IP66 enclosure
- IP69K compliant
- Marine Rated
- CSFM Approved
- UL and cUL Listed for Class I, Division 2, Groups A, B, C and D; Class II, Division 1, Groups E, F and G; Class III

MODEL	VOLTAGE	OPERATING CURRENT	FLASH RATE/ MINUTE	CANDELA PEAK <sup>1</sup>	MOUNT
<b>154XST-*012-024**</b>	24VDC	0.60 amps	80	520,000	3/4" NPT pipe or surface

\*Include (S) for Surface Mount Option (Example part number: 154XST-S012-024R for surface mount option, 154XST-012-024R for pipe mount)

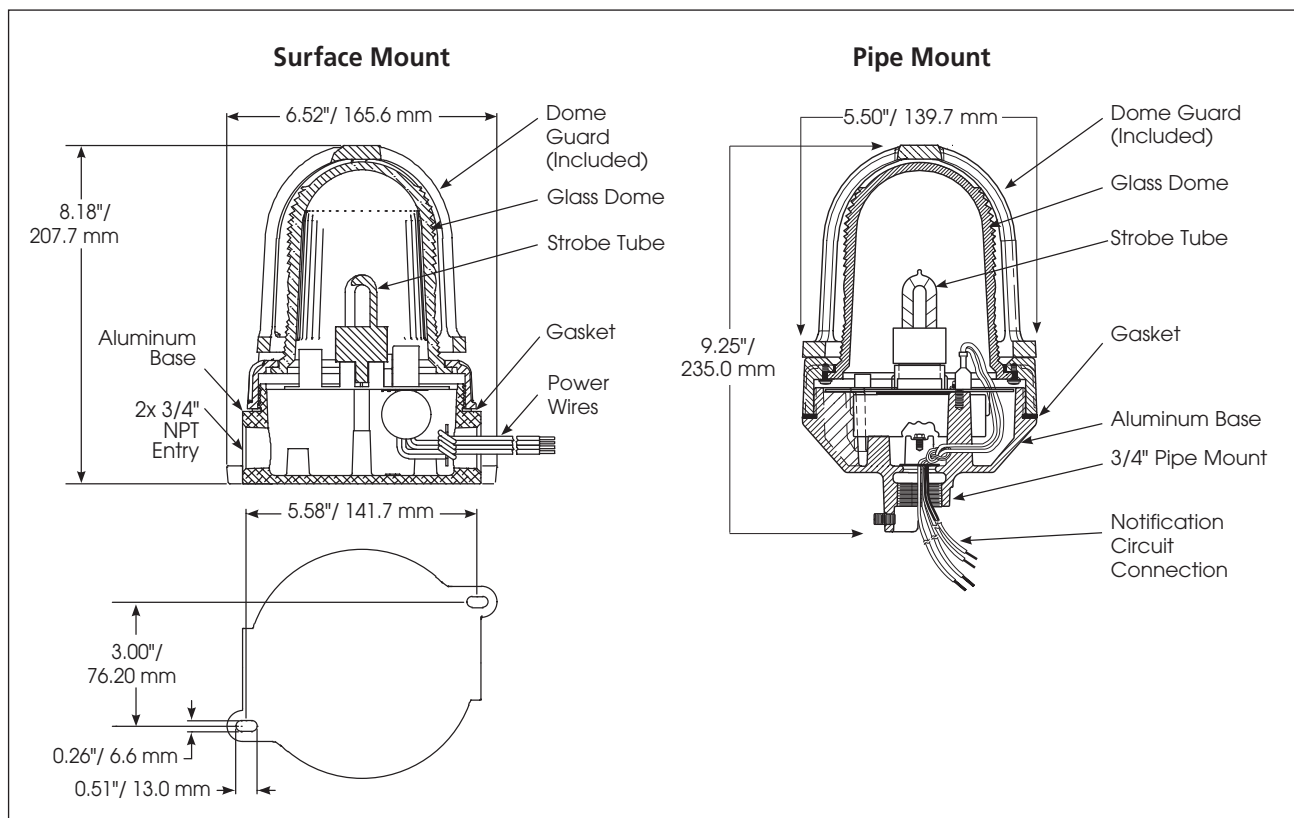
\*\*Indicates color: (A) Amber, (B) Blue, (C) Clear, (G) Green or (R) Red

<sup>1</sup>Peak candela is the maximum light intensity generated by a flashing light during its light pulse

## HAZARDOUS LOCATION RATING: 154XST

HAZARDOUS LOCATION	T-CODE AT MAXIMUM AMBIENT TEMPERATURE, °C	
	40°C	65°C
Class I, Division 2, Groups A, B, C, D	T2	T1
Class II, Division 1, Groups E, F, G	T5	T5
Class III	T5	T5

## Hazardous Location Supervised Strobe Light (154XST)



### SPECIFICATIONS

Lamp Life:	10,000 Hours	
Lamp Source	Strobe	
Operating Ambient Temperature:	-67°F to 150°F	-55°C to 66°C
Net Weight:	3.8 lbs	1.7 kg
Shipping Weight:	4.5 lbs	2.0 kg
Height:	9.25 "	235.0 mm
Diameter:	5.50 "	139.7 mm

### REPLACEMENT PARTS

Description	Part Number
Dome & Ring Assembly, Amber <sup>1</sup>	K8449078C-01
Dome & Ring Assembly, Blue <sup>1</sup>	K8449078C-06
Dome & Ring Assembly, Clear <sup>1</sup>	K8449078C-04
Dome & Ring Assembly, Green <sup>1</sup>	K8449078C-07
Dome & Ring Assembly, Red <sup>1</sup>	K8449078C
PC Assembly, 12-24VDC	K2001173C
Strobe Tube	K149122B
Guard	K8449090C

<sup>1</sup> Includes dome gasket

### HOW TO ORDER

**154XST**

**S**

**12-24**

**A**

**TYPE**  
154XST

**MOUNTING**  
**Blank** - Pipe  
**S** - Surface

**VOLTAGE**  
**012-024** (24VDC) (Pipe Mount)  
**12-24** (24VDC) (Surface Mount)

**COLOR**  
**A** Amber  
**B** Blue  
**C** Clear  
**G** Green  
**R** Red