

Core & Coil Replacement Kits

High Pressure Sodium

Input Volts	Catalog Number	Circuit Type	Total Weight (Lbs)	Certifications		
				UL	SP	RoHS COMPLIANT
35W Lamp, ANSI Code S76						
120	71A7707-001DB	R-HPF	1.7	✓	✓	✓
50W Lamp, ANSI Code S68						
120	71A7807-001DB	R-HPF	2.0	✓	✓	✓
120/277	71A7801-001D	HX-HPF	4.7	✓	✓	✓
120/208/240/277	71A7891-001D	HX-HPF	4.3	✓	✓	✓
70W Lamp, ANSI Code S62						
120	71A7907-001DB	R-HPF	2.7	✓	✓	✓
120/208/240/277	71A7971-001D	HX-HPF	5.6	✓	✓	✓
100W Lamp, ANSI Code S54						
120	71A8007-001DB	R-HPF	3.6	✓	✓	✓
120/208/240/277	71A8071-001D	HX-HPF	6.9	✓	✓	✓
120/208/240/277	71A8091-001DC	HX-HPF	7.3	✓	✓	✓
480	71A8041-001D	HX-HPF	7.9	✓	✓	✓
150W Lamp, ANSI Code S55						
120	71A8107-001DB	R-HPF	4.0	✓	✓	✓
120/208/240/277	71A8172-001D	HX-HPF	8.2	✓	✓	✓
120/208/240/277	71A8192-001DC	HX-HPF	8.6	✓	✓	✓
480	71A8142-001D	HX-HPF	10.0	✓	✓	✓
150W Lamp, ANSI Code S56						
120/208/240/277	71A8176-001D	CWA	8.5	✓	✓	✓
480	71A8146-001D	CWA	8.5	✓	✓	✓

HPS Kit Options

In addition to the standard kits, this and the following page include two HPS kits with special features:

HPS Reactor Kits with Integral Ignitors

“B” Suffix denotes 120V reactor circuit kits featuring single-coil reactor ballasts with integral ignitors. The kit includes a mounting bracket (PC848S) sized specifically for the small reactor ballasts.

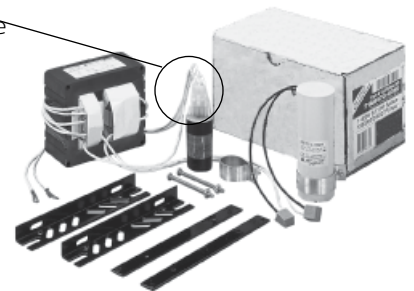
Compact Reactor Core and Bracket



HPS Kits with Plug-In Ignitors

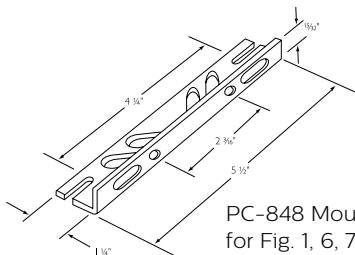
“C” Suffix (p. 7-6 and p. 7-7) denotes standard HPS kit except with plug-in ignitor. A mating receptacle is attached to the core and coil lead wires, ready for immediate connection.

Connectorized ignitor and mating receptacle

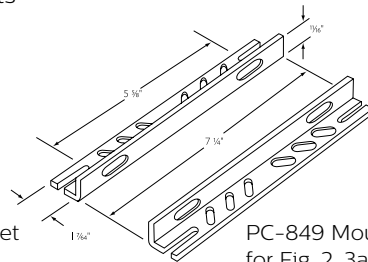


Core & Coil Mounting Brackets

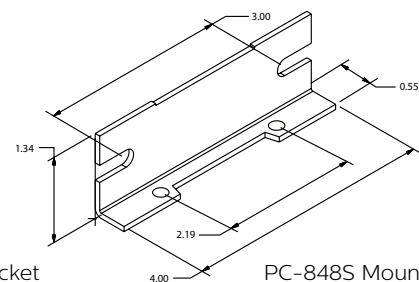
Included with all Replacement Kits



PC-848 Mounting bracket for Fig. 1, 6, 7 & 9

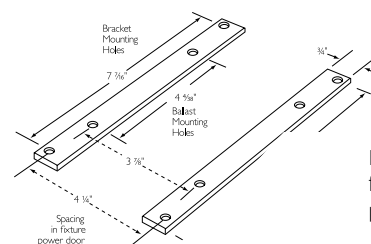


PC-849 Mounting bracket for Fig. 2, 3a, 8, 8a & 10.



PC-848S Mounting bracket for Fig. 9.

- PC-848: To order individual packaged kits, specify PKG 848 (1 brackets with thru bolts).
- PC-849: To order individual packaged kits, specify PKG 849-2 (2 brackets with thru bolts).
- PC-848S: Bracket and thru bolts are included in 120V HPS Reactor Kits.

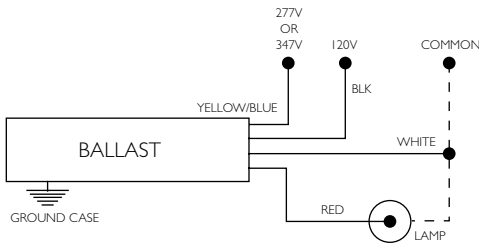


PC-909 Mounting bracket for Fig. 2, 3a & 8 when used with power-door roadway fixtures

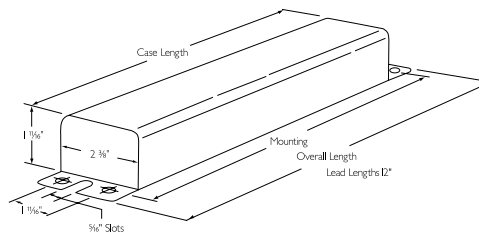
60 Hz F-Can Ballasts (Indoor, Outdoor Type 1)

High Pressure Sodium

Input Voltage	Catalog Number	Circuit Type	Input Amps			Input Watts	Nom. Open Circuit Voltage	Fuse Rating Amps	Over-all Length	Case Length	Mtg. Dim.	Total Wt. (lbs)	Max. Ballast to Lamp Distance (ft)	Certifications		
			Operating	Starting	Open Circuit									UL	SP	RoHS COMPLIANT
50W Lamp, ANSI Code S68																
120/277	72C7884-NP-001	HX-HPF	.7/.3	.7/.4	1.4/.7	65	120	4/2	11.75	10.50	11.13	11.0	15	✓	✓	✓
70W Lamp, ANSI Code S62																
120/277	72C7984-NP	HX-HPF	.9/.4	1.0/.5	1.4/.7	90	120	5/2	11.75	10.50	11.13	10.0	7	✓	✓	✓
120/347	72C79C4-NP							.8/.3						.9/.3	1.4/.5	94
100W Lamp, ANSI Code S54 SOUND RATING B																
120/277	72C8084-NP	HX-HPF	1.1/.5	1.5/.7	1.9/.8	125	120	6/3	11.75	10.50	11.13	11.0	15	✓	✓	✓
	72C8084-NP-001													✓	✓	✓
150W Lamp, ANSI Code S55 (55V Arc Tube) SOUND RATING B																
120/277	72C8185-NP	HX-HPF	1.7/.7	2.6/1.2	2.2/1.0	185	120	8/4	14.30	13.13	13.75	14.0	5	✓	✓	✓

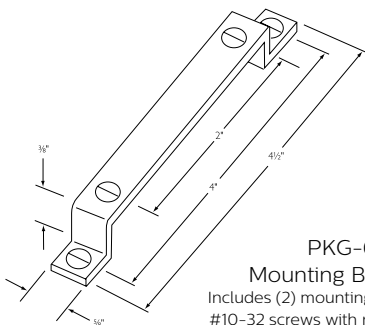


Wiring Diagram
All lead lengths 12"

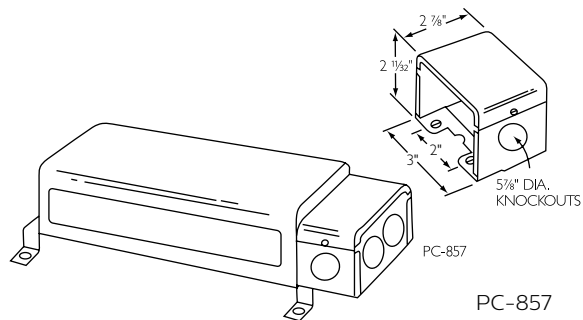


Dimensions

Accessories



PKG-625
Mounting Bracket Kit
Includes (2) mounting brackets and (4) #10-32 screws with nuts and washers.



PC-857

PC-857
Wiring Compartment
For end mounting, includes (5) 7/8" dia. knockouts. May be used with or without PC-625 Mtg. Brkt. Kit.

60 Hz Postline Ballasts

Metal Halide

Input Volts	Catalog Number † (P=Thermally Protected)	Circuit Type	Input Watts	Max Input Current	Nom. Open Circuit Voltage	Fuse (amps)	Length (in)	Weight (lbs)	Spring Clip & Support Chain Kit	Max Dist To Lamp (ft)	Certifications		
											UL	SP	RoHS COMPLIANT
50W Lamp, ANSI Code M110													
120	74P5104-011P	HX-PFC	69	1.1	260	3	12.0	6.0	PL-2 (Optional)	20	✓	✓	✓

- † Ordering information:
 Order catalog number indicated. If spring clip and support chain kit is desired, order separately.
 • For HX and R circuits, figure is highest of starting, operating or open circuit current.

PL-1 and PL-2 - Spring Clip and Support Chain Kits

Included pre-assembled with all postline ballasts rated 100W and above. Support chain lowers ballast 18" down post while 6" or 10" spring clip forces ballast against post's inner wall to assure proper heat dissipation away from ballast's internal components. Also includes factory-connected ground wire to provide for proper grounding of ballast case and fixture housing. Kits include instruction sheet and may be ordered separately to retrofit existing installations.

