

Series Spec Sheet

LED MOTION SENSOR DISK LIGHT INTEGRATED PIR CEILING LUMINAIRE

The LED Motion Sensor Disk light has a traditional ceiling luminaire look and includes an embedded PIR (Passive Infrared) sensor. This luminaire not only offers a practical and cost efficient solution but also helps saving energy by automatically turning on when motion is detected and off when there is no motion.

Easily installed, it will fit any type of application from a kitchen pantry, a closet, a laundry room, an attic or even a hallway.

FEATURES AND SPECIFICATIONS

• Construction

- Physical Characteristics
 - White steel housing
 - Frosted lens, easy twist-lock
 - Embedded PIR sensor
 - Size : 7"

Mounting

- Surface mounted
- Easy keyhole installation

• Performance Data

- Available in 4 000 K single color temperature
- 80+ CRI
- Electrical Ratings: 120 V
- Estimated life of 50 000 hours to L70
- Operating temperature range:
 - 20 °C to 40 °C (- 4 °F to 104 °F)
- Sensor Type: Passive Infrared with a 5 meter (16 feet) detection range, refer to diagram
- Automatic ON/OFF – no wall switch required
- The motion sensor is set always on ON and the hold time is 3 minutes

• Compliances

- cETLus listed for wet location
- Energy Star
- Meets requirements of ICES-005 issue 5 class B for usage in residential applications



OVERVIEW

Light source	LED
Watts (W)	14
Lumen output (lm)	1 000
Efficiency (lm/W)	70
Color temperature (K)	4 000
CRI	80+
Net weight (lbs) :	0.68



wet location



ICES 005



QUICK SHIP AND TECHNICAL SPECIFICATION TABLE 🕒¹

Order code	Model number	Watts (W)	Volts (VAC)	Color temp. (K) ²	Lumen output (lm) ³	Efficiency (lm/W)	CRI	Life L70 (hrs) ⁴	Beam angle (°)	Housing finish	Lens finish	Dimmable (Yes/No)	Power Factor	Case qty (master)	
7"	68378	CLDKMS7-R14W-A/40WH	14	120	4 000	1 000	70	80+	50 000	100	White	Frosted	No	>0.90	24

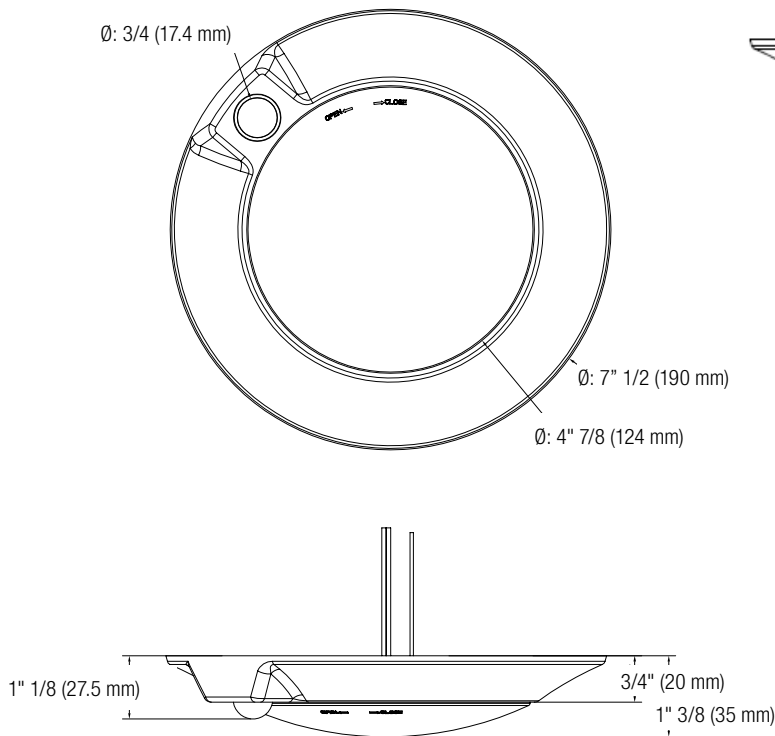
¹ **QUICK SHIP:** Product availability is subject to change without notice. Please contact your Stanpro customer service representative to confirm inventory levels at time of order.

² Typical color temperature range: +/- 5 %.

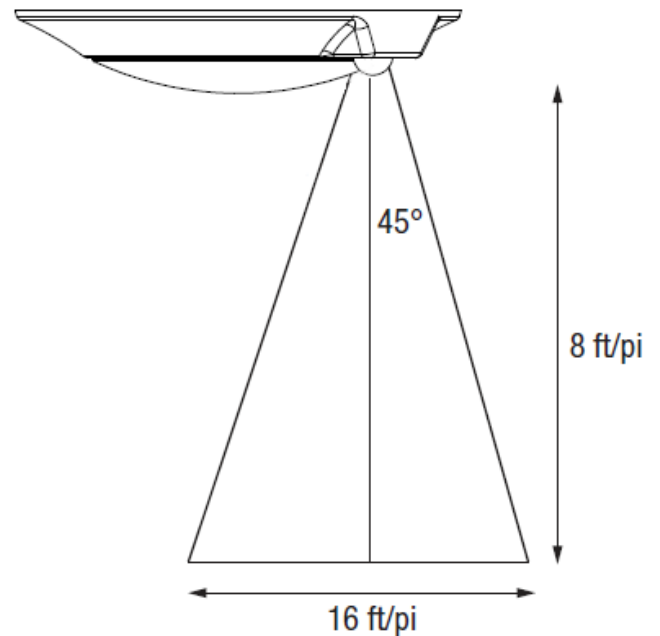
³ Lumen values are derived from Energy Star reported data.

⁴ Life hours are derived from IESNA LM-80-08 testing report and projected per IESNA TM-21-11 extrapolations.

DIMENSIONS



DETECTION AREA

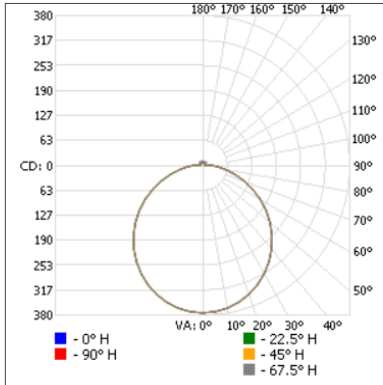


Data is based upon tests performed in a controlled environment. Actual performance can vary depending on operating conditions. All products are subject to change or may be discontinued any time without notice.

PHOTOMETRIC DATA¹

68378 • CLDKMS7-R14W-A/40WH • 1 183.6 lm

Polar candela distribution



Zonal lumen summary

Zone	Lumens	% Fixture
0-30	290.4	24.5
0-40	476.7	40.3
0-60	849.9	71.8
60-90	275.8	23.3
70-100	151.2	12.8
90-120	27.6	2.3
0-90	1 125.7	95.1
90-180	57.9	4.9
0-180	1 183.6	100

Illuminance at a distance

	Center beam fc	Beam width
1.7'	129	5.3' 5.3'
3.3'	34.4	10.3' 10.3'
5.0'	15.0	15.6' 15.5'
6.7'	8.34	20.9' 20.8'
8.3'	5.43	25.8' 25.8'
10.0'	3.74	31.1' 31.1'

■ Vert. spread: 114.6°
■ Horiz. spread: 114.5°

¹ Complete IES files available on our website.

Data is based upon tests performed in a controlled environment. Actual performance can vary depending on operating conditions. All products are subject to change or may be discontinued any time without notice.