

# T-100

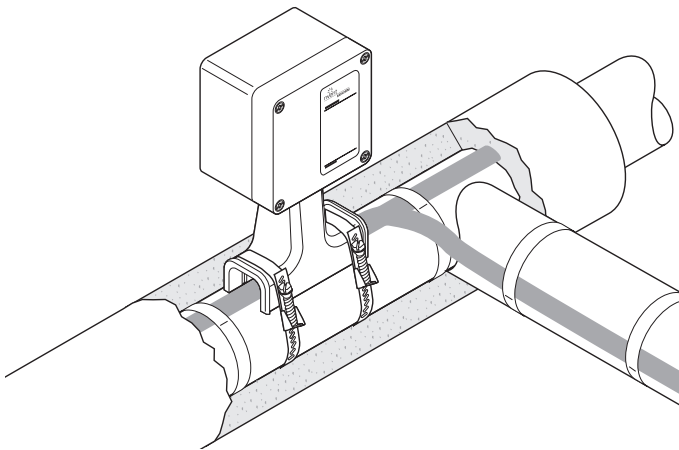


RAYCHEM

## CONNECT AND PROTECT

### Splice or tee connection kit

#### PRODUCT OVERVIEW



The nVent RAYCHEM T-100 serves as an above-insulation splice or tee for up to three nVent RAYCHEM brand BTV, QTVR, XTV, KTV, HTV or VPL heating cables. It is approved for use in hazardous locations.

The T-100 integrates the functions of connection kits and insulation entries. The rugged stand protects the heating cable and allows for up to four inches (100 mm) of thermal insulation.

The cold-applied core sealer does not require a heat gun or torch for installation, so no hot work permit is necessary. The silicone-free, noncuring sealant in the core sealer allows easy installation and re-entry for maintenance.

The electrical connections in the T-100 are made with insulated crimps. For a splice or tee connection with terminal blocks, use the nVent RAYCHEM JBM-100.

Each kit contains all the necessary materials for a complete installation except for the pipe straps, which must be ordered separately.



#### DESCRIPTION







Above-insulation splice / tee kit appropriate for use in hazardous locations

#### KIT CONTENTS

- 1 splice / tee enclosure and lid
- 1 stand assembly
- 3 core sealers
- 3 green / yellow tubes
- 3 compression crimps
- 3 crimp insulating boots
- 2 grommet plugs
- 1 spanner wrench
- 1 strain relief assembly.

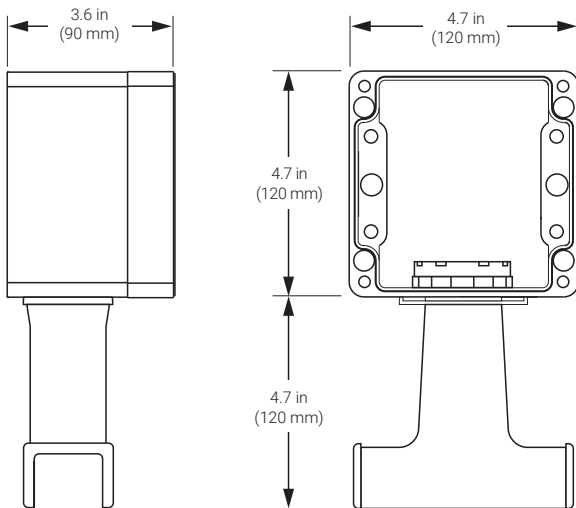
**Note:** Order appropriate pipe straps separately (two straps per kit)

## APPROVALS

T-100	
 (1)(2) Class I, Div. 2, Groups A,B,C,D Class II, Div. 1 and 2, Groups E,F,G Class III Type 4X Temp Code T*  (2)	 BTV - IEx 09.0004X QTVR - IEx 09.0006X XTV - IEx 09.0005X VPL - IEx 09.0007X
 (1)(2) Class I Zone 1 AEx e II T*	PTB 20 ATEX 1008 U II 2 G Ex eb mb IIC Gb II 2 D Ex tb mb IIIC Db
 (3) CL I Div 2 (ZN 2**) Groups A, B, C, D CL I ZN2 Group IIC **Per CE Code Table 18	IECEX PTB 20.0014U Ex eb mb IIC Gb Ex tb mb IIIC Db
 (2) Ex eb IIC T* Gb Ex tb IIC T*°C Db	Ex e IIC T* Gb (1) (2) (4)

\* For systems Temperature Code, see heating cable or design documentation.  
 (1) Except VPL  
 (2) Except HTV heating cable  
 (3) HTV heating cable only  
 (4) Except KTV

## DIMENSIONS (NOMINAL)



## PRODUCT SPECIFICATIONS

Heating cable capability	BTV-CR, BTV-CT, QTVR-CT, XTV-CT, KTV-CT, HTV-CT and VPL-CT
Ingress protection	Type 4X / IP66
Minimum installation temperature	-67°F (-55°C)
Minimum ambient temperature	-67°F (-55°C)
Maximum ambient temperature	132°F (56°C)
Maximum pipe temperature	500°F (260°C)
Maximum operating voltage	480 Vac
Maximum circuit breaker rating	50 A for FM, CSA; 40 A for PTB

## MATERIALS

Enclosure	Electrostatic charge-resistant glass-filled engineered polymer, black
Lid screws	Stainless steel
Lid gasket	Silicone rubber

## ORDERING DETAILS

Catalog number	T-100
Part number	447379-000
Weight	2.5 lb (1.2 kg)

## ACCESSORIES (Not included in the kit)

Crimp tool	T-100-CT (equivalent to Panduit CT-1570) PN 954799-000
Spare crimps and insulating tubes	T-100-CRIMP-KIT PN 577853-000
T-100 stand off	JBM-100 STANDOFF PN P000003624 For insulation >= 4.7 inch (120 mm)
Small pipe adaptor	JBM-SPA, required for pipes ≤ 1" (DN 25), D55673-000 (bag of 5 adaptors)

### North America

Tel +1.800.545.6258  
Fax +1.800.527.5703  
thermal.info@nVent.com

### Europe, Middle East, Africa

Tel +32.16.213.511  
Fax +32.16.213.604  
thermal.info@nVent.com

### Asia Pacific

Tel +86.21.2412.1688  
Fax +86.21.5426.3167  
cn.thermal.info@nVent.com

### Latin America

Tel +1.713.868.4800  
Fax +1.713.868.2333  
thermal.info@nVent.com



Our powerful portfolio of brands:

**CADDY ERICO HOFFMAN RAYCHEM SCHROFF TRACER**