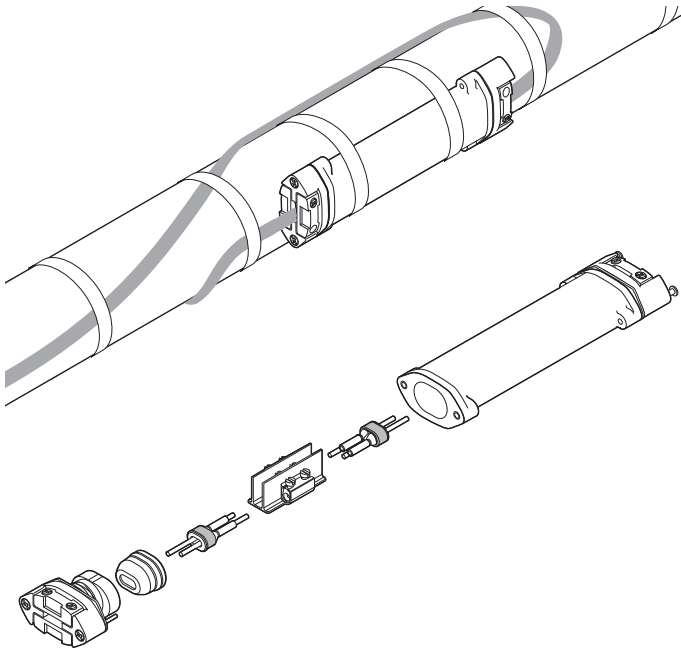


LOW-PROFILE SPLICE KIT



PRODUCT OVERVIEW

The nVent RAYCHEM S-150 is a cold-applied, low-profile splice for in-line connection. It is designed for use with the following RAYCHEM brand heating cables: BTV, QTVR, XTV, and KTV. Use the S-150 in applications with temperatures ranging from -60°F to 420°F (-50°C to 215°C). It is approved by FM, CSA and PTB for use in hazardous locations.

The unique design of the S-150 suits the demanding requirements of the industrial environment. The low-profile housing can be installed on pipes and other surfaces. Spring-loaded grommets make a first seal to maintain a watertight connection, while the noncuring silicone-free sealant used in the RAYCHEM cold-applied core sealers add a second seal, providing additional protection.

The rugged construction makes it resistant to impact and suitable for high-temperature and chemical exposure.

The splice requires no heat source for installation, and it is re-enterable, making maintenance fast and easy. Each kit contains all the necessary materials to do one in-line splice connection.



DESCRIPTION

Cold-applied in-line splice kit for use with BTV, QTVR, XTV, and KTV heating cables

KIT CONTENTS

- 1 splice housing
- 2 sealing grommet assemblies
- 2 core sealers
- 1 spacer including screw terminals
- 1 identification label

APPROVALS

Hazardous Locations



Class I, Div. 2, Groups A, B, C, D
Class II, Div. 2, Groups F, G
Class III



II 2G Ex e II
II 2D Ex tD A21 IP66
PTB 09 ATEX 1068U



CLI, ZN2, AEx e II T⁽¹⁾



Ex e IIC T* Gb



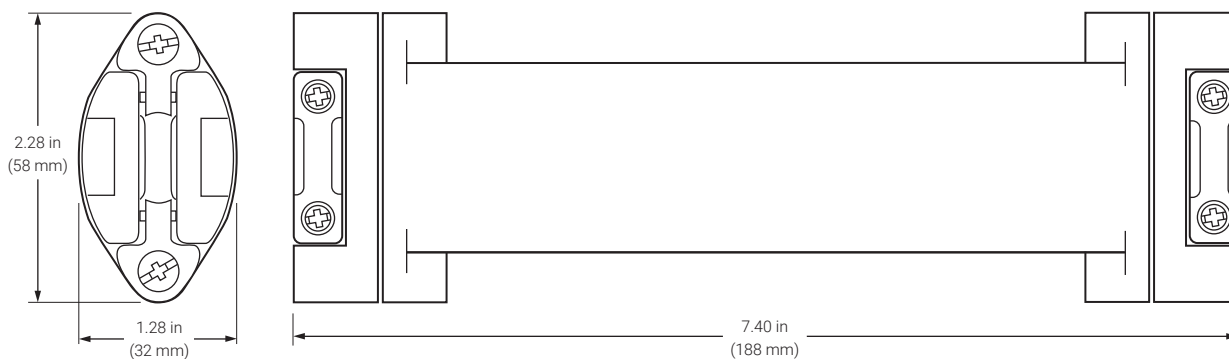
Ex e II T⁽¹⁾



IECEX PTB 09.0043U
Ex e II
Ex tD A21 IP66

(1) For T-rating, see heating cable or design documentation

DIMENSIONS



PRODUCT SPECIFICATIONS

Heating cable capability	BTV-CR, BTV-CT, QTVR-CT, XTV-CT, KTV-CT
Ingress protection	Type 4X (IP66)
Minimum installation temperature	-40°F (-40°C)
Minimum usage temperature	-60°F (-50°C)
Maximum pipe temperature	420°F (215°C)
Connection method	Screw terminals
Maximum operating voltage	277 Vac for FM, CSA 254 Vac for PTB
Maximum circuit breaker rating	50 A for FM, CSA 40 A for PTB

MATERIALS OF CONSTRUCTION

Enclosure, end plate, and shim	Engineered polymer, black
Sealing grommet	Silicone rubber
Screws, compression spring, reinforcement plate	Stainless steel
Terminals	Nickel-plated brass, stainless steel, zinc-plated steel

ORDERING DETAILS

Catalog number	S-150
Part number	497537-000
Weight	0.8 lb (0.4 kg)

North America

Tel +1.800.545.6258
Fax +1.800.527.5703
thermal.info@nvent.com

Europe, Middle East, Africa

Tel +32.16.213.511
Fax +32.16.213.604
thermal.info@nvent.com

Asia Pacific

Tel +86.21.2412.1688
Fax +86.21.5426.3167
cn.thermal.info@nvent.com

Latin America

Tel +1.713.868.4800
Fax +1.713.868.2333
thermal.info@nvent.com



nVent.com

Our powerful portfolio of brands:

CADDY ERICO HOFFMAN RAYCHEM SCHROFF TRACER