

Project: _____ Type: _____

Drawn by: _____ Catalogue #: _____ Date: _____

Individual Spec Sheet

FLB

LED FLOOD LIGHT GEN 4

Quick and Easy Mounting accessories (Sold separately)

Selectable color temperature

Power selectable

ORDERING INFORMATION

Order code: 68568
Model number: FLBX-PS300M-W-3C-BR
UPC: 069549017436
Case quantity: 1

PHYSICAL DATA

Dimensions: 22 3/8" x 12 5/8" x 2 3/4" (569 mm x 320 mm x 70 mm)
Lens material: Polycarbonate
Housing material: Aluminum die-cast
Finish: Bronze

PERFORMANCE DATA

Watts (W): 150/200/240/300
Volts (V): 120-277
Color temperature (K)¹: 3 000/4 000/5 000
Lumen output (lm)²: 22 400 - 38 000
Efficiency (lm/W): 123 - 159
CRI: 70
NEMA Type (HxV): 7x7
Life L70 (h)³: >60 000
Dimming (Yes/No): Yes
Power factor: 0.99
THD (%): 4.26
Surge protection (kV): 10
LED current (mA): 2.64-1.18
Operating temp. range: -40 °C to 40 °C

¹ Typical colour temperature range: +/- 5 %

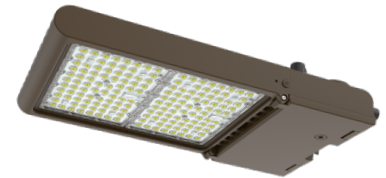
² Lumen values are derived from photometric testing. Initial lumens range: +/- 10 %

³ Life hours are derived from IESNA LM80-08 testing report and projected per IESNA TM-21-11 extrapolations

COMPATIBLE ACCESSORIES

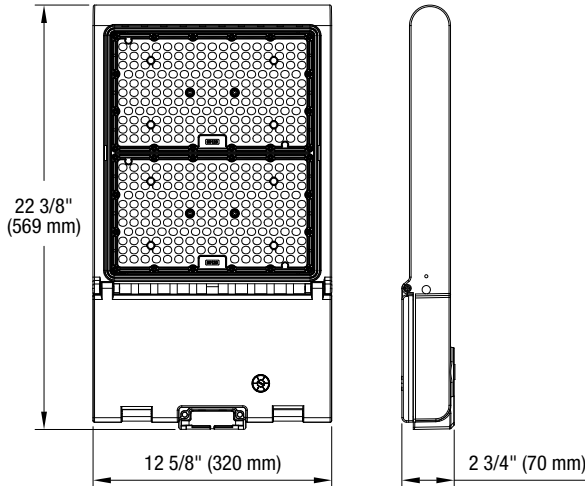
Order code	Description
68570	Bronze Yoke for FLBL-FLBX
68571	Bronze Slipfitter
68572	Bronze square/round Pole arm
68573	Bronze Trunnion
68574	Bronze Wall/Pole mount adapter ¹
68717	Bronze Slipfitter and Wall mount adapter

¹ Wall mount adapter used conjunctively with Slipfitter.



This lighting equipment complies with Canadian standard ICES-005 for use in commercial applications. Data is based upon tests performed in a controlled environment. Actual performance can vary depending on operating conditions. Specifications are subject to change without notice.

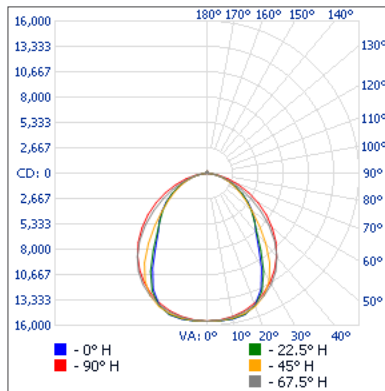
DIMENSIONS



PHOTOMETRIC DATA¹

68568 • FLBX-PS300M-W-3C-BR • 37 441.4 lm

Polar candela distribution



Zonal lumen summary

Zone	Lumens	% Fixture
0-30	12 139.0	32.4%
0-40	19 139.7	51.1%
0-60	30 849.2	82.4%
60-90	5 995.1	16%
70-100	2 438.5	6.5%
90-120	156.7	0.4%
0-90	36 844.3	98.4%
90-180	597.0	1.6%
0-180	37 441.4	100%

Illuminance at a distance

	Center beam fc	Beam width
17'	53.8 fc	29.7' 46.4'
34'	13.4 fc	59.3' 92.8'
51'	5.98 fc	89.0' 139.1'
68'	3.36 fc	118.7' 185.5'
85'	2.15 fc	148.4' 231.9'
102'	1.49 fc	178.0' 278.3'

■ Vert. spread: 82.2°
■ Horiz. spread: 107.5°

¹ Complete IES files available on our website.

Qty	Description	Price

I accept the specifications of the luminaire configuration mentioned above.

Name: _____

Company: _____

Signature: _____

Date: _____

Data is based upon tests performed in a controlled environment. Actual performance can vary depending on operating conditions. All products are subject to change or may be discontinued any time without notice.