



21-01



# DANDY LOADMISER™ ENERGY DIVIDER CONTROLLER

Model #D-LM

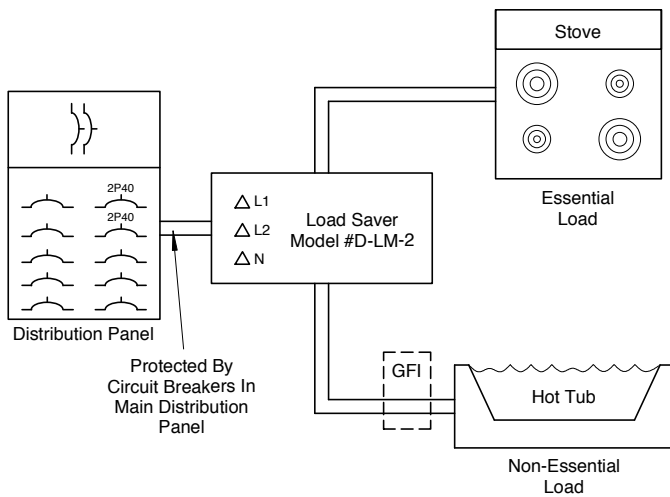
- EEMAC 3R enclosure
- Specifically designed as a load saving device, to be used where non-essential load is connected to an essential load circuit
- Load saver cuts off power to the non-essential circuit only. Reducing load saves service upgrades
- Adjustable 5 to 50 Amp of the circuit upstream rating
- Easy to install for new and existing installations, simply connect in series of the existing load
- Optional time of day clock prevents non-essential load from operation on/off hour, increasing energy savings and allowing non-essential load to operate on/off time energy availability
- Sensing has adjustable 5 to 50 second time delay action to prevent rapid load cycling. Sensing is on only L1. To avoid nuisance tripping if loads are unbalanced add second phase current sensor option
- CSA certified assembly

**Options**

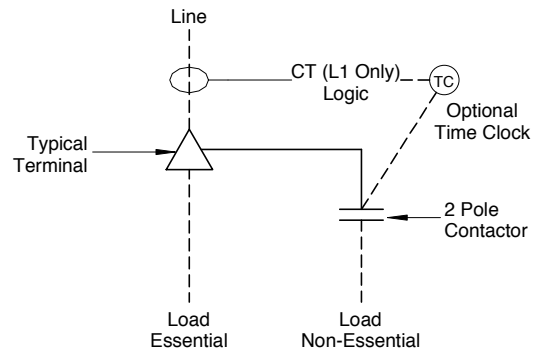
- Large capacity control to 600A, 600V
- Dual line sensing - recommended when unbalanced loads could be encountered
- Time clock for interval operation of load contactor eg. time of day
- Extra large body sized 18" x 14" x 5"
- Loadside branch circuit breaker on essential circuit or non essential circuit
- Remote control output
- Split CT design

**Note**

- Refer to CEC Rule #'s 8-106 (4), (10) and (11), 8-500, and 12-3022 (4)



Shown Is Model #D-LM-2  
Typical Installation



Model #	Volts	Wire	Res. Amp	Ind. Amp	Factory Approx. Line Trip Set Point Amp *	Dimensions (") H x W x D	Terminal Size Cu/Al
D-LM-1	120/240	3	30	30	24 Amp	12 x 14 x 4.5	2 - 14
D-LM-2	120/240	3	40	30	32 Amp	12 x 14 x 4.5	2 - 14
D-LM-3	120/240	3	50	40	40 Amp	12 x 14 x 4.5	2 - 14
D-LM-4	120/240	3	60	50	48 Amp	12 x 14 x 4.5	2 - 14

Trip point can be field adjusted from 5 to 50 amps. Factory set as above.