



The Perfect LED Spot solution

LED MR16

Philips LED MR-16 lamps with single optic technology provide the look and color quality of traditional halogens while using a fraction of the energy. A perfect fit for spot lighting, they are compatible with most existing fixtures with MR16 GU5.3 holders and are designed as a retrofit replacement for halogen or incandescent spots.

Benefits

- Up to 80% energy saving compared with halogen lamps and lower maintenance costs
- Easy to replace/retro-fit. Broad compatibility with transformers
- “Perfect fit” in most current Halogen fixtures

Features

- Ranging between 15,000 to 40,000 hour LED Lifetime
- Easy to replace/retro-fit- “Perfect fit” in most current Halogen fixtures. Title 20 & Title 24 JA8 compliant versions options are available
- Optimized look and feel of product
- Compatible with most commonly available halogen transformers
- Ranging between 3-year to 5-year limited component warranty depending upon operating hours

Application

- Hotels, restaurants, bars, cafés, museums, shops
- Lobbies, corridors, stairwells, washrooms, reception areas , exhibitions, display cabinets

LED MR16

Versions



GU5.3 MR16



GU5.3 MR16

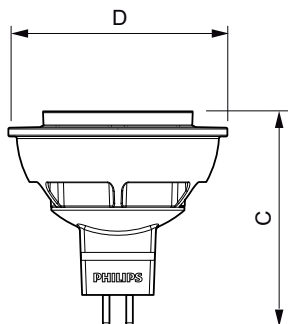
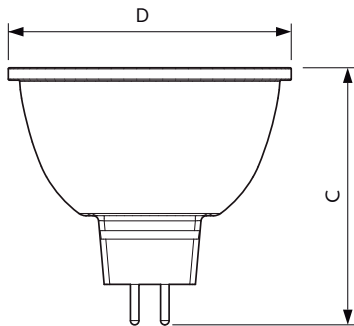


GU5.3 MR16



GU5.3 2inch/50mm

Dimensional drawing

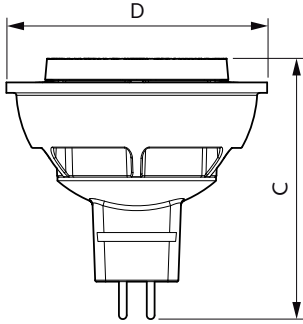


Product	D	C
7MR16/LED/827/F35/DIM 12V 10/1FB	50 mm	46.5 mm
8MR16/LED/827/F35/DIM 12V 10/1FB	50 mm	46.5 mm
8MR16/LED/830/F25/DIM 12V 10/1FB	50 mm	46.5 mm
7MR16/LED/830/F25/DIM 12V 10/1FB	50 mm	46.5 mm
6.3MR16/LED/F25/927/D/EC/12V T20 10/1FB	50.5 mm	46 mm
6.3MR16/LED/F35/927/D/EC/12V T20 10/1FB	50.5 mm	46 mm
7.8MR16/PER/940/F25/Dim/EC/12V 10/1FB	50.5 mm	46 mm
7MR16/LED/830/F35/DIM 12V 10/1FB	50 mm	46.5 mm
8MR16/LED/840/F25/DIM 12V 10/1FB	50 mm	46.5 mm
8MR16/LED/827/F25/DIM 12V 10/1FB	50 mm	46.5 mm
8MR16/LED/840/F35/DIM 12V 10/1FB	50 mm	46.5 mm
7.8MR16/PER/930/F25/Dim/EC/12V 10/1FB	50.5 mm	46 mm
7.8MR16/PER/930/F35/Dim/EC/12V 10/1FB	50.5 mm	46 mm
7.8MR16/PER/930/S10/Dim/EC/12V 10/1FB	50.5 mm	46 mm
6.3MR16/LED/F35/930/D/EC/12V T20 10/1FB	50.5 mm	46 mm
7.8MR16/PER/940/S10/Dim/EC/12V 10/1FB	50.5 mm	46 mm
7.8MR16/PER/927/F25/Dim/EC/12V 10/1FB	50.5 mm	46 mm
7.8MR16/PER/927/S10/Dim/EC/12V 10/1FB	50.5 mm	46 mm
7.8MR16/PER/927/F35/Dim/EC/12V 10/1FB	50.5 mm	46 mm
7MR16/LED/827/F25/DIM 12V 10/1FB	50 mm	46.5 mm
6.3MR16/LED/F25/930/D/EC/12V T20 10/1FB	50.5 mm	46 mm
8MR16/LED/830/F35/DIM 12V 10/1FB	50 mm	46.5 mm
7.8MR16/PER/940/F35/Dim/EC/12V 10/1FB	50.5 mm	46 mm

Product	D	C
6.4MR16/F25/3000 DIM 12V	51 mm	51 mm
6.4MR16/F35/3000 DIM 12V	51 mm	51 mm

LED MR16

Dimensional drawing



Product	D	C
6.5MR16/F35/2700-2200 DIM 12V	51 mm	50.5 mm
6.5MR16/F25/2700-2200 DIM 12V	51 mm	50.5 mm

Operating and Electrical

Input Frequency	- Hz
-----------------	------

General Information

Cap-Base	GU5.3
Nominal Lifetime (Nom)	25000 h
Switching Cycle	50000X

Light Technical

LLmf At End Of Nominal Lifetime (Nom)	70 %
---------------------------------------	------

Mechanical and Housing

Bulb Shape	MR16
------------	------

Approval and Application

Order Code	Full Product Name	Energy Consumption kWh/1000 h
470336	6.4MR16/F25/3000 DIM 12V 10/1	- kWh
470344	6.4MR16/F35/3000 DIM 12V 10/1	- kWh
573907	8MR16/LED/827/F25/DIM 12V 10/1FB	-
573915	8MR16/LED/830/F25/DIM 12V 10/1FB	-
573931	8MR16/LED/827/F35/DIM 12V 10/1FB	-
573949	8MR16/LED/830/F35/DIM 12V 10/1FB	-
573955	8MR16/LED/840/F35/DIM 12V 10/1FB	-
573865	7MR16/LED/827/F25/DIM 12V 10/1FB	-
573873	7MR16/LED/830/F25/DIM 12V 10/1FB	-
573881	7MR16/LED/827/F35/DIM 12V 10/1FB	-
573899	7MR16/LED/830/F35/DIM 12V 10/1FB	-
573923	8MR16/LED/840/F25/DIM 12V 10/1FB	-
573535	6.3MR16/LED/F25/927/D/EC/12V T20 10/1FB	-
573543	6.3MR16/LED/F25/930/D/EC/12V T20 10/1FB	-

Order Code	Full Product Name	Energy Consumption kWh/1000 h
573550	6.3MR16/LED/F35/927/D/EC/12V T20 10/1FB	-
573568	6.3MR16/LED/F35/930/D/EC/12V T20 10/1FB	-
573576	7.8MR16/PER/927/S10/Dim/EC/12V 10/1FB	-
573584	7.8MR16/PER/930/S10/Dim/EC/12V 10/1FB	-
573592	7.8MR16/PER/940/S10/Dim/EC/12V 10/1FB	-
573600	7.8MR16/PER/927/F25/Dim/EC/12V 10/1FB	-
573618	7.8MR16/PER/930/F25/Dim/EC/12V 10/1FB	-
573626	7.8MR16/PER/940/F25/Dim/EC/12V 10/1FB	-
573634	7.8MR16/PER/927/F35/Dim/EC/12V 10/1FB	-
573642	7.8MR16/PER/930/F35/Dim/EC/12V 10/1FB	-
573659	7.8MR16/PER/940/F35/Dim/EC/12V 10/1FB	-
574400	6.5MR16/F25/2700-2200 DIM 12V	-
574418	6.5MR16/F35/2700-2200 DIM 12V	-

Controls and Dimming

Order Code	Full Product Name	Dimmable
470336	6.4MR16/F25/3000 DIM 12V 10/1	Yes

Order Code	Full Product Name	Dimmable
470344	6.4MR16/F35/3000 DIM 12V 10/1	Yes