

## FL MINI FLOOD

The FL series is a family of highly efficient and affordable compact flood lights available in four different lumen packages. Each fixture has a modern thin design with an aluminum housing and comes standard with a black powder coat finish. Typical applications include both commercial and residential environment: backyards, walkways as well as flood lighting of signs and building fronts.

### FEATURES AND SPECIFICATIONS

#### • Construction

##### Housing

Aluminum housing comes standard in a black powder coat finish.

##### Mounting options

The fixture comes with either a knuckle mount or a yoke mount.

##### Lens

Tempered glass lens is standard in this product series.

#### • Compliance

- IP65
- Wet location
- Meets requirements of ICES-005 issue 5 for class B products
- cETLus

#### • Electrical

- The drivers allow input from 120 V and is reliable in the coldest of temperatures
- The FL flood is suitable for ambient temperature range of -40°C to +50°C. Available in 3 000 K and 4 000 K color temperatures with a lumen per watt ratio of 94 lm/W to 117 lm/W depending on the lumen package.

### OVERVIEW

Light source	LED
Watts (W)	10 - 53
Lumen output (lm)	1 063 - 5 674
Efficiency (lm/W)	94 - 117
Color temperature (K)	3 000, 4 000
CRI	70, 80



Not all products are qualified on the DLC QPL. To view our DLC qualified products, please consult the DLC Qualified Products List at [www.designlights.org/search](http://www.designlights.org/search).

**QUICK SHIP AND TECHNICAL SPECIFICATION TABLE** 

Order code	Model number	DLC unique ID	Watts (W)	Volts (VAC)	Color temp. (K) <sup>2</sup>	Lumen output (lm) <sup>3</sup>	Efficiency (lm/W)	CRI	Beam angle (°)	Finish	LED current (mA)	Power factor	THD (%)	Traditional equivalent (W)		Case qty (master)
														MH	HPS	
67300	FL/10W/30K/KN/BK/CHOICE/STD	PX2MWFJF	10	120	3 000	1 063	105	80	120	Black	88	0.96	19	70	70	30
67223	FL/10W/40K/KN/BK/CHOICE/STD	PLNUZ7PH4W8S	10	120	4 000	1 069	105	80	120	Black	88	0.96	19	50	35	60
67224	FL/10W/40K/YK/BK/CHOICE/STD	PLNUZ7PH4W8S	10	120	4 000	1 069	105	80	120	Black	88	0.96	19	50	35	60
67301	FL/20W/30K/KN/BK/CHOICE/STD	PLKVONFYFQ24	19	120	3 000	1 803	96	80	120	Black	158	0.99	16	100	70	20
68383	FL/S2/20W/40K/KN/BK/CHOICE/STD	-	20	120	4 000	2 313	117	70	120	Black	66	0.98	22	100	70	40
67226	FL/20W/40K/YK/BK/CHOICE/STD	PLEYWBHHGLKQ	19	120	4 000	1 870	99	80	120	Black	158	0.99	16	70	70	40
68384	FL/S2/20W/40K/YK/BK/CHOICE/STD	-	20	120	4 000	2 313	117	70	120	Black	66	0.98	22	100	70	40
67302	FL/30W/30K/KN/BK/CHOICE/STD	PLC3BZGRSDJ1	33	120	3 000	3 087	94	80	120	Black	283	0.98	22	100	100	10
68213	FL/S2/30W/40K/KN/BK/CHOICE/STD	-	29	120	4 000	3 207	110	70	120	Black	115	0.97	23	100	100	20
68214	FL/S2/30W/40K/YK/BK/CHOICE/STD	-	29	120	4 000	3 207	110	70	120	Black	115	0.97	23	100	100	20
68211	FL/S2/50W/40K/KN/BK/CHOICE/STD	-	51	120	4 000	5 674	112	70	120	Black	92	0.98	21	175	150	20
67230	FL/50W/40K/YK/BK/CHOICE/STD	PLZ9XLUT5YM2	53	120	4 000	5 397	102	80	120	Black	452	0.97	23	150	150	10
68212	FL/S2/50W/40K/YK/BK/CHOICE/STD	-	51	120	4 000	5 674	112	70	120	Black	92	0.98	21	175	150	20

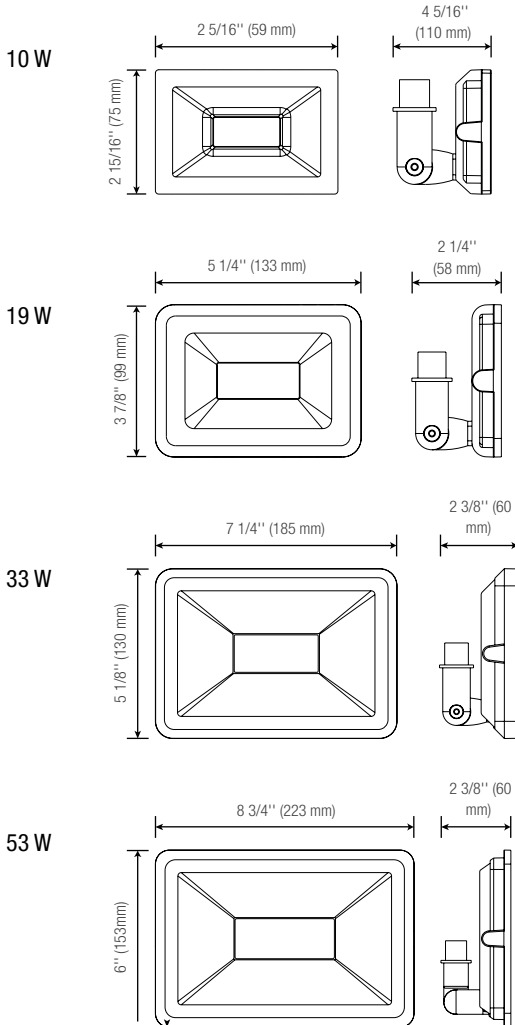
<sup>1</sup> **QUICK SHIP:** Product availability is subject to change without notice. Please contact your Stanpro customer service representative to confirm inventory levels at time of order.

<sup>2</sup> Typical color temperature range: +/- 5 %.

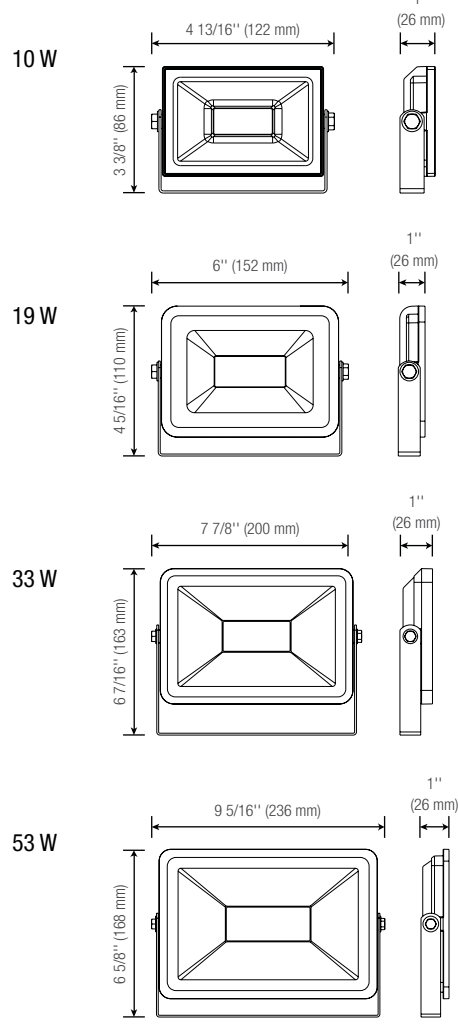
<sup>3</sup> Lumen values are derived from photometric testing. Initial lumens range: +/- 10 %.

**DIMENSIONS**

**KNUCKLE MOUNT**



**YOKE MOUNT**

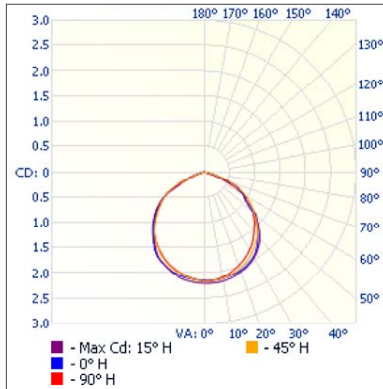


Data is based upon tests performed in a controlled environment. Actual performance can vary depending on operating conditions. All products are subject to change or may be discontinued any time without notice.

**PHOTOMETRIC DATA<sup>1</sup>**

67223 & 67224 • FL/10W/40K/XX/BK/CHOICE/STD • 1 069 lm

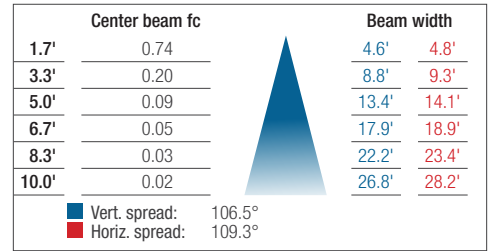
**Polar candela distribution**



**Zonal lumen summary**

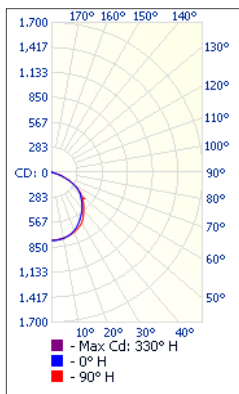
Zone	Lumens	% Fixture
0-30	1.7	31%
0-40	2.8	50.8%
0-60	4.8	88.3%
60-90	0.6	11.7%
70-100	0.1	1.5%
90-120	0	0%
0-90	5.4	100%
90-180	0	0%
0-180	5.4	100%

**Illuminance at a distance**



68383 & 68384 • FL/S2/20W/40K/XX/BK/CHOICE/STD • 2 060.6 lm

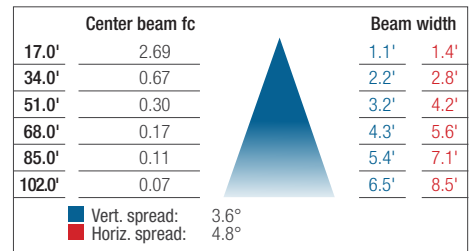
**Polar candela distribution**



**Zonal lumen summary**

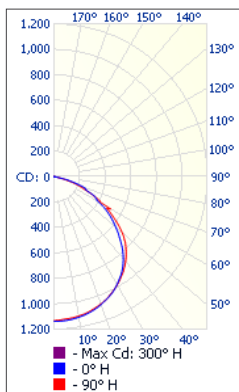
Zone	Lumens	% Fixture
0-30	608.6	29.6%
0-40	994.5	48.8%
0-60	1 744.0	85.1%
60-90	316.7	14.9%
0-90	2 060.6	100%

**Illuminance at a distance**



68213 & 68214 • FL/S2/30W/40K/XX/BK/CHOICE/STD • 3 040.1 lm

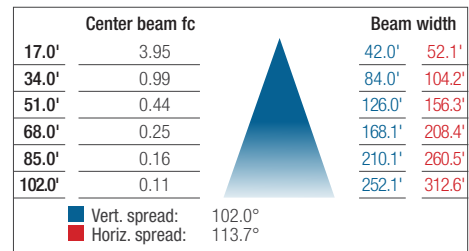
**Polar candela distribution**



**Zonal lumen summary**

Zone	Lumens	% Fixture
0-30	899.4	29.6%
0-40	1 484.0	48.8%
0-60	2 588.6	85.1%
60-90	451.5	14.9%
0-90	3 040.1	100%

**Illuminance at a distance**



<sup>1</sup> Complete IES files available on our website.

Data is based upon tests performed in a controlled environment. Actual performance can vary depending on operating conditions. All products are subject to change or may be discontinued any time without notice.