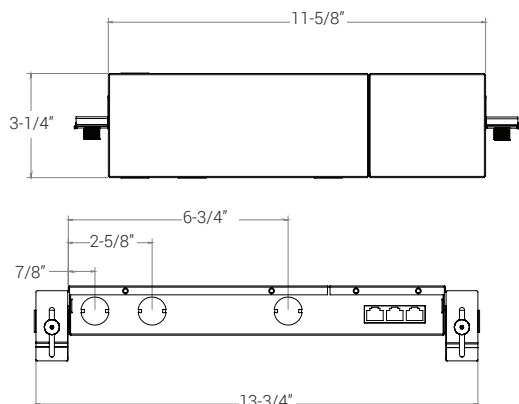


Driver: 2-LB-LED-DR-DIM10-30W  
4-LB-LED-DR-DIM10-60W



**FEATURES**

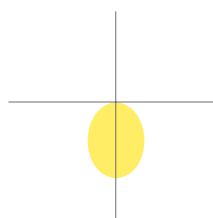
Bar One can replace 2' or 4' cross tees in a suspended grid ceiling for seamless lines of light. Use Bar One for all your configurations, including single runs, continuous runs, and shapes including L-shape, crosses, Tees, and rectangles. A forward-thinking design allows for a fast, tool-less installation. Available in three different configurations that accommodate 9/16" flat, 15/16" flat, and Slot T 9/16" grid ceilings. A wide distribution provides a flexible lighting solution for corporate offices, educational facilities, hospitality, healthcare, and retail.

LUMENS	2 feet (1100L, 1300L), 4 feet (2400L, 2600L)
CCT	30K, 35K, 40K, 50K
CRI	85+
COLOR QUALITY	3 Step MacAdam Ellipse
WIDTH	9/16" and 15/16"
LENGTHS	2' and 4'
CONFIGURATION PATTERNS	Single, Continuous, Crosses, Tees, Squares, Rectangles, L-Shape *See last page
MOUNTING	TB-SG - Slot Grid T-bar (9/16") TB-1516-FT - Flat Trim T-bar (15/16") TB-916-FT - Flat Trim T-bar (9/16")
FINISH	WH (White)
DISTRIBUTION	120°
DIMMING & CONTROL	0-10V Flicker Free 1% Dimming Standard (DIM10)
LIFETIME	L70 at 87000 Hours
PHOTOMETRIC TESTS	In Accordance with IES LM79-08, LM80 and TM-30, TM-21

SIZE	NOMINAL LUMENS	DELIVERED LUMENS	WATTAGE
4ft	2400	2733	20W
	2600	2773	20W
2ft	1100	1396	11W
	1300	1496	11W

Based on 4000K, 85+ CRI. Actual wattage may vary +/- 5%

Distribution Pattern:  
Standard



**CONSTRUCTION**

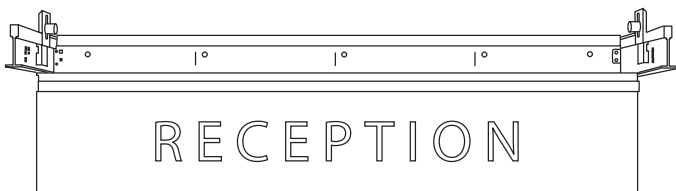
Anodized and painted aluminum body for UV- and corrosion-resistance. Stainless steel mounting clips (Quik-T fasteners) at each end of fixture. Shipped with pre-installed endcaps for seamless runs.

**OPTICS**

Standard frosted PC lens with a wide beam angle of 120° diffuses light for soft edges. Source is fully concealed for fully luminous corners and runs.

**BAR ONE SIGN OPTION**

Bar One Sign is completely customizable—add any text and select from a variety of color temperatures. Perfect for use in airports, schools, lobbies, and elevator corridors. Transparent when off for discreet ceilings when not on. Wide 110° beam angle. This option is only available for 9/16" flat grid ceilings. Please consult factory for details.



**USE ONE LUMINAIRE FOR ALL YOUR CONFIGURATIONS**

The Bar One is designed so that one fixture can be combined to form L-shape, Tees, Crosses, Squares, Rectangles, and continuous runs.

**3-CHANNEL IC-RATED, AIRTIGHT DRIVER**

Powered by a constant-current power IC-rated, airtight driver rated for 50 to 60 Hz at 120/277V input. Produces less than 20% THD and has a power factor of .90 to 1.00.

3 RJ45 terminals on each driver supports up to 3 luminaires, which can be connected end-to-end.

Each luminaire is supplied with an 8-ft. RJ45 plenum-rated cable (non-cuttable), with 24 AWG, and 3 different RJ45 terminal outputs, for easy installation and safe wiring.

2-ft. fixture and 4-ft fixture run on separate power supplies. Separate drivers must be ordered for the 2-ft. and 4-ft.

From side A, max distance driver for 2-ft. fixture can be mounted is 6 feet away. Max distance driver for 4-ft. can be mounted is 8 feet away.

**ELECTRICAL**

Luminaire is included with an 8 ft. RJ45 non-cuttable cable for field-installed connection to power supply. High lumen output LEDs consume 12W total (2 foot) or 23W total (4 foot). Power supply consumption not included.

**DIMMING & DRIVER INFORMATION**

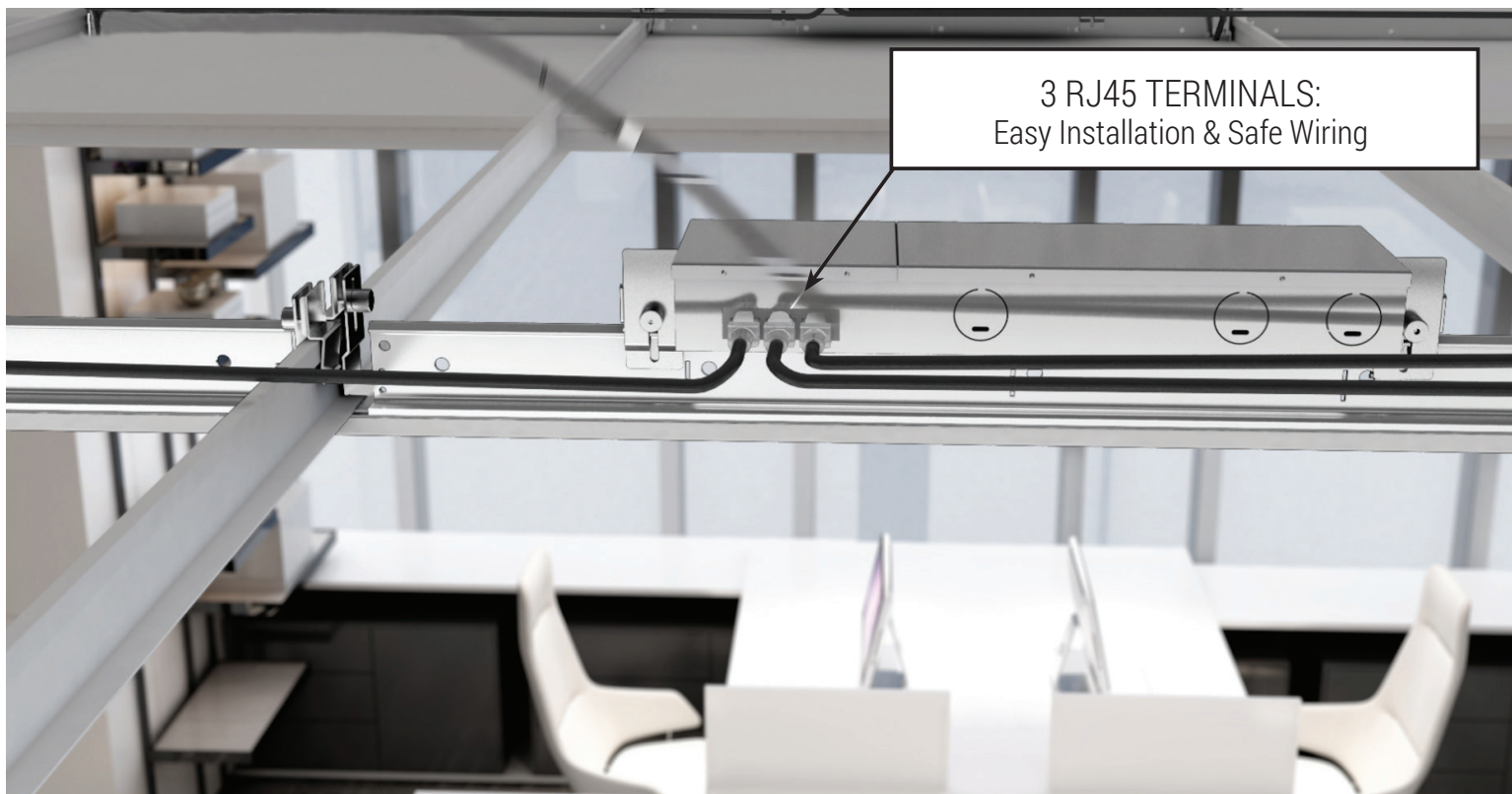
**DIM10** - Flicker Free 1% Dimming Standard (DIM10) 0-10V dimming on either MVOLT 120, 277V.

**WARRANTY**

Five-year warranty for parts and components. (Labor not included)

**LISTINGS**

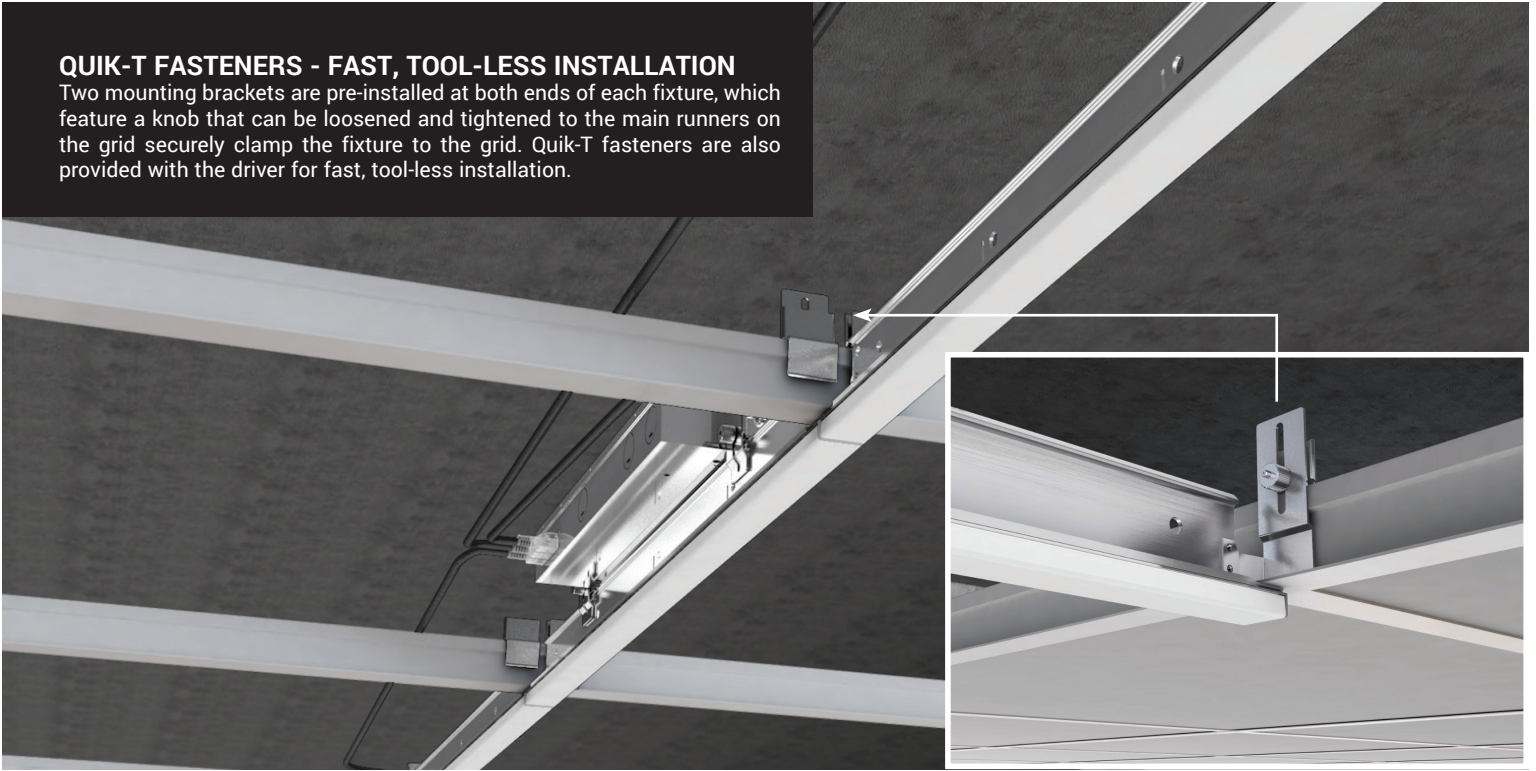
c-UL-us - Listed for Feed Through Wiring.  
Listed for Damp Location (Indoor Only).





**QUIK-T FASTENERS - FAST, TOOL-LESS INSTALLATION**

Two mounting brackets are pre-installed at both ends of each fixture, which feature a knob that can be loosened and tightened to the main runners on the grid securely clamp the fixture to the grid. Quik-T fasteners are also provided with the driver for fast, tool-less installation.



**DRIVER MOUNTING**

The driver is shipped pre-installed with Quik-T fasteners on each end for fast, easy installation. Driver can be mounted horizontally on top of the grid. Each luminaire is shipped with an 8-ft. plenum-rated RJ45 cable.

The driver features 3 knockouts and 3 RJ45 terminals on one side and 1 knockout on the back for easy connections. For the 2-ft. fixture, max. distance driver can be mounted is 6 feet away. For the 4-ft. fixture, max. distance driver can be mounted is 8 feet away.

**MOUNTING**

Remove the T-bar in the spot where you want to place your Bar One. Loosen your Quik-T fasteners. Clamp the Quik-T fasteners to the main runners. Bar One can be positioned anywhere on the grid where there are T-bars. You cannot replace the main runners.

Bar One Slot T is not compatible with creating custom patterns. Slot T can only be used for single row mounting. 2'x2' squares cannot be created on a grid ceiling because you cannot replace the main runners.

**VARIOUS T-GRID CEILINGS**

