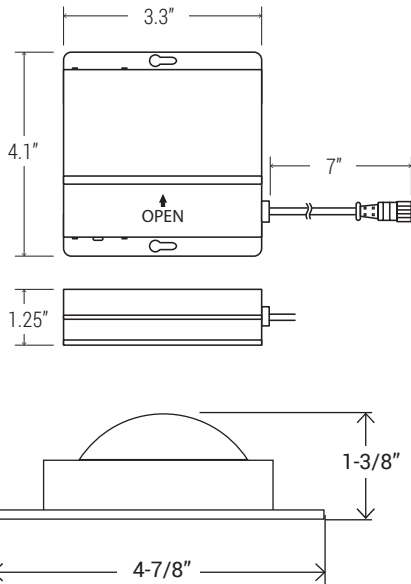




**ADJUSTABILITY**



NOMINAL LUMENS	DELIVERED LUMENS	WATTAGE
700	741	8.9 W

Based on 3000K, 90+ CRI. Actual wattage may vary +/- 5%

**INSTALLATION**

Cut hole in ceiling. Insert luminaire into opening by squeezing spring clips on both sides of luminaire. The width in ceiling needed for the driver to fit is 3".

**FEATURES**

A high performance 4" LED luminaire, engineered for New Construction, Remodel or Retrofit to accommodate insulated or dropped ceiling installations. It is easily installed and is supplied with a remote driver. Its small aperture and shallow depth make it an ideal choice for unlimited applications.

LUMENS	700
CCT	30K/40K/50K
CRI	90+
COLOR QUALITY	3-Step MacAdam Ellipse
CONSTRUCTION	Cast aluminum trim
TRIM OPTION	Round Adjustable
BEAM ANGLE	90 Degree
TRIM COLORS	WH (White)
DIMMING	DIMTR (Triac)
EMERGENCY	16W high voltage inverter
LIFETIME	50,000 Hours
PHOTOMETRIC TESTS	In Accordance with IES LM79-08, LM80 and TM-30, TM-21

- The LED slim disk is IC-Rated and Air-Tight ready and may be in direct contact with insulation.
- Can be installed in applications with plenum clearance.
- LED Slim disk may be installed in dry wall or suspended ceilings.
- 90 CRI standard.
- Flicker-free 120V forward-phase triac dimming down to 5%.
- Energy-Star, JA8 compliant.
- Even illumination of luminaire is achieved by utilizing patent-pending optics along with edge lit technology of LEDs.
- Aluminum die-cast body and trim.
- Estimated life output of 70% at 50,000 hours of life requiring virtually no maintenance.
- Ideal for applications where ceiling or top access is not available to service these luminaires.
- Ideal for applications where traditional recessed downlights may not be used because of limited plenum space.



**SLIM TRIM**



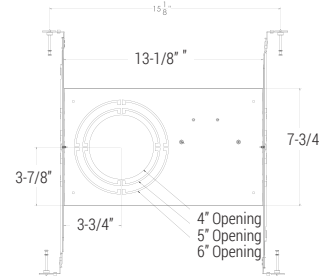
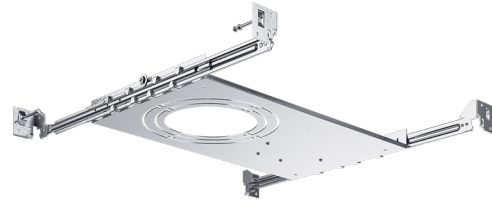
**ACCESSORIES**



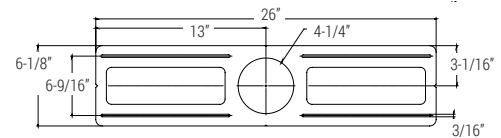
**RL-ACC-SLIM-1-10F**  
10-ft long extension



**RL-ACC-SLIM-1-20F**  
20-ft long extension



**RL-UNV-4/5/6**  
For use with: 4", 5", 6"  
Universal mounting plate with collar



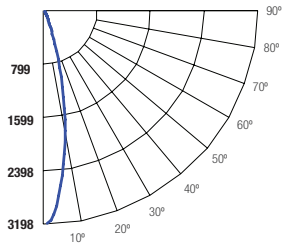
**RL-ACC-SLIM-4-ROUGHPLATE**  
Mounting plate for use with 4" downlights

EXAMPLE: **RL473-700L-DIMTR-120-30K/40K/50K-90-WH**

TYPE	LUMEN	CCT	CRI	FINISH
RL473	<input type="checkbox"/> 700L-DIMTR-120	<input type="checkbox"/> 30K/40K/50K	<input type="checkbox"/> 90+	<input type="checkbox"/> WH-White

**RL-ACC-SLIM-1-10F**

OPTIONS
<input type="checkbox"/> <b>RL-ACC-SLIM-1-10F</b> - 10ft Logn Extension
<input type="checkbox"/> <b>RL-ACC-SLIM-1-20F</b> - 20ft Logn Extension
<input type="checkbox"/> <b>RL-UNV-4/5/6</b> - Universal Mount Plate for 4", 5" and 6"
<input type="checkbox"/> <b>RL-ACC-SLIM-4-ROUGHPLATE</b> - 4" Rough Plate

**RL473-700L-DIMTR-120-30K-40K-50K-90-WH**
**TEST NO.: EL103019126**
**INPUT WATTS: 8.91823**
**LUMENS: 741**
**CRI: 90**
**EFFICACY: 83**
**CCT: 30/40/50K**
**SPACING CRITERIA: 0.42**
**Candle Power Distribution (Candelas)**

**Zonal Lumens Summary**

Zone	Lumens	%Lamp	%Fixt
0-20	517.61	69.90	69.90
0-30	627.11	84.70	84.70
0-40	675.43	91.20	91.20
0-60	724.52	97.80	97.80
0-80	739.93	99.90	99.90
0-90	739.94	99.90	99.90

**Luminance (Average candela/M<sup>2</sup>)**

Angle in Degrees	Average		
	0°	45°	90°
45	18023	17858	18318
55	13899	13798	14001
65	10108	10408	10659
75	3968	4563	5092
85	39	39	39

**Lumens Per Zone**

Zone	Lumens
0-10	229.56
10-20	288.05
20-30	109.49
30-40	48.33
40-50	28.63
50-60	20.46
60-70	12.12
70-80	3.29
80-90	0.01

**Candela Tabulation**

Q	
0	3180.70
5	2655.50
15	1058.77
25	226.89
35	77.47
45	37.23
55	23.29
65	12.48
75	3.00
85	0.01
90	0.01

**Coefficients of Utilization - Zonal Cavity Method**

Effective Floor Cavity Reflectance 0.20

Cone of Light			
2	1,101	0.7	0.7
4	292	1.4	1.4
6	127	2.0	2.1
8	70.9	2.7	2.8
10	46.2	3.4	3.4
12	31.8	4.1	4.1

(F) Distance to Plane    (FC) Initial Footcandle at Nadir    (FV) Beam Vert. Spread    (FH) Beam Horiz. Spread  
 BEAM DIA. MEASURED AT 50% OF NADIR F.C.

RC	RW	80%				70%				50%				30%				10%				0%
		70%	50%	30%	10%	70%	50%	30%	10%	50%	30%	10%	50%	30%	10%	50%	30%	10%	0%			
0	119	119	119	119	116	116	116	116	111	111	111	106	106	106	102	102	102	100	100			
1	114	112	110	108	112	110	108	106	106	104	103	102	101	100	99	98	97	95	95			
2	110	106	102	99	108	104	101	98	101	98	96	98	96	94	95	93	92	90	90			
3	105	100	96	92	104	99	95	92	96	93	90	94	91	89	92	89	88	86	86			
4	101	95	91	87	100	94	90	87	92	88	86	90	87	85	88	86	84	82	82			
5	98	91	86	83	96	90	86	82	88	85	82	87	84	81	85	83	80	79	79			
6	94	87	82	79	93	86	82	79	85	81	78	84	80	78	83	80	77	76	76			
7	91	84	79	76	90	83	79	76	82	78	75	81	77	75	80	77	74	73	73			
8	88	81	76	73	87	80	76	73	79	75	72	78	75	72	78	74	72	71	71			
9	86	78	73	70	85	78	73	70	77	73	70	76	72	70	75	72	70	68	68			
10	83	76	71	68	82	75	71	68	74	71	68	74	70	68	73	70	67	66	66			

RC - Ceiling Cavity Reflectance

RW - Wall Reflectance