

# EK Series

## 200 AMP - 600 VOLTS Standard Enclosure

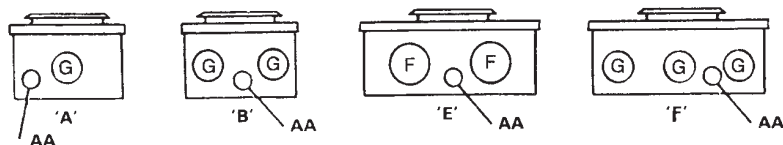
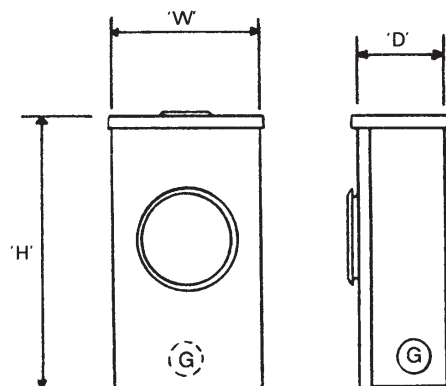


CATALOGUE #	TYPE	DESCRIPTION	KO TYPE	DIMENSIONS (IN.)			WEIGHT
				H	W	D	
<b>EK400P</b>	O/H & U/G	4 Jaw c/w hub plate	A	15	8 <sup>5</sup> / <sub>8</sub>	4 <sup>3</sup> / <sub>4</sub>	12 lbs.
<b>EK400L</b>	O/H & U/G	4 Jaw c/w 2" hub	A	15	8 <sup>5</sup> / <sub>8</sub>	4 <sup>3</sup> / <sub>4</sub>	12 lbs.
<b>EK400D</b>	O/H & U/G	4 Jaw c/w 2 - 2" hub	A	15	8 <sup>5</sup> / <sub>8</sub>	4 <sup>3</sup> / <sub>4</sub>	12 lbs.
<b>EK400DP</b>	O/H & U/G	4 Jaw c/w 2 - 2" hub plates, twin opening	A	15	8 <sup>5</sup> / <sub>8</sub>	4 <sup>3</sup> / <sub>4</sub>	12 lbs.
<b>EK400T</b>	U/G	4 Jaw, underground	B	15	8 <sup>5</sup> / <sub>8</sub>	4 <sup>3</sup> / <sub>4</sub>	12 lbs.

- CSA enclosure 3R
- Barrel type connectors angled at 45°
- Conductor range No. 6 -250 MCM CU/AL
- Lay-in neutral (can be used with unbroken neutral wire)
- Add suffix "NS" for ground lug on neutral for New Brunswick only.  
PART # ZMS07051433 Ground Neutral Assembly

- Field adaptable accessories
- 5th Jaw at 9 O'clock **SXK503**
- 5th Jaw at 6 O'clock **INK501**
- Insulated neutral **INK200**

KNOCKOUT CODE	CONDUIT SIZE
<b>AA</b>	1/2"
<b>G</b>	1 1/4", 1 1/2", 2", 2 1/2"
<b>F</b>	1", 1 1/4", 1 1/2", 2", 2 1/2", 3"





# EK Series

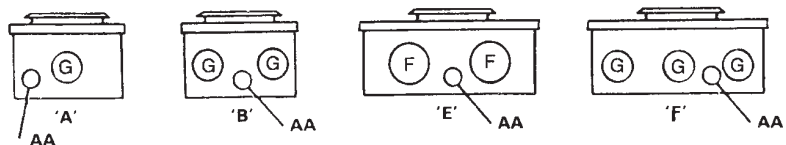
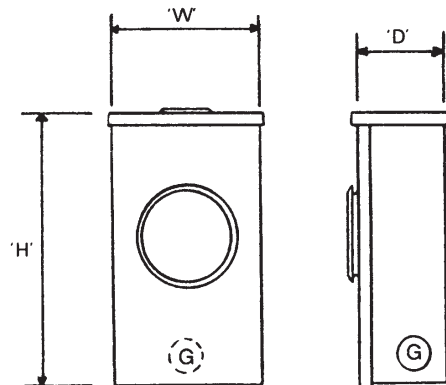
## 200 AMP - 600 VOLTS Oversize Enclosure

CATALOGUE #	TYPE	DESCRIPTION	KO TYPE	DIMENSIONS (IN.)			WEIGHT
				H	W	D	
<b>EK400RO</b>	O/H & U/G	4 Jaw, oversize enclosure	F	18	12	4 <sup>3</sup> / <sub>4</sub>	15 lbs.
<b>E400RO</b>	O/H & U/G	4 Jaw, straight lugs on line side	F	18	12	4 <sup>3</sup> / <sub>4</sub>	15 lbs.
<b>EK400TO</b>	U/G	4 Jaw, underground oversize enclosure	F	18	12	4 <sup>3</sup> / <sub>4</sub>	15 lbs.
<b>EK400ROBC</b>	O/H & U/G	4 Jaw, c/w 3" KO in bottom	E	18	12	5 <sup>1</sup> / <sub>8</sub>	15 lbs.
<b>EK200XL</b>	O/H & U/G	4 Jaw, 350MCM type connectors on line side	E	22 <sup>1</sup> / <sub>4</sub>	16 <sup>1</sup> / <sub>2</sub>	4 <sup>3</sup> / <sub>4</sub>	22 lbs.
<b>EK200XLD</b>	O/H & U/G	4 Jaw, 350MCM type connectors on line side, 4-1/2" in top hub opening	E	22 <sup>1</sup> / <sub>4</sub>	16 <sup>1</sup> / <sub>2</sub>	4 <sup>3</sup> / <sub>4</sub>	22 lbs.

- CSA enclosure 3R
- Barrel type connectors angled at 45°
- Conductor range No. 6 -250 MCM CU/AL
- Lay-in neutral (can be used with unbroken neutral wire)
- Add suffix NS for ground lug on neutral for New Brunswick only

- Field adaptable accessories
- 5th Jaw at 9 O'clock **SXK503**
- 5th Jaw at 6 O'clock **INK501**
- Insulated neutral **INK200**

KNOCKOUT CODE	CONDUIT SIZE
<b>AA</b>	1/2"
<b>G</b>	1 <sup>1</sup> / <sub>4</sub> ", 1 <sup>1</sup> / <sub>2</sub> ", 2", 2 <sup>1</sup> / <sub>2</sub> "
<b>F</b>	1", 1 <sup>1</sup> / <sub>4</sub> ", 1 <sup>1</sup> / <sub>2</sub> ", 2", 2 <sup>1</sup> / <sub>2</sub> ", 3"



# MSC Series



METER  
SOCKETS

## 200 AMP - 600 VOLTS 1/2" Compression Studs

CATALOGUE #	TYPE	DESCRIPTION	DIMENSIONS (IN.)			WEIGHT
			H	W	D	
<b>MSC400TW</b>	U/G	4 Jaw, c/w 1/2 Comp. studs, 2 x 2 1/2" KO's	18	12	4 3/4	17 lbs.
<b>MSC400TW3</b>	U/G	4 Jaw, c/w 1/2 Comp. studs, 2 x 3" KO's	18	12	5 1/8	17 lbs.
<b>MSC400TW-SF</b>	U/G	4 Jaw, c/w 1/2 Comp. studs & sub feed lugs 1/0-14	18	12	4 3/4	17 lbs.
<b>MSC400TW-ON</b>	U/G	4 Jaw, c/w 1/2 Comp. studs, 3 x 2 1/2" KO's	18	12	4 3/4	17 lbs.
<b>MSC402TW</b>	U/G	4 Jaw, c/w 1/2 Comp. studs & twin 1/0-14 lugs on load side	18	12	4 3/4	17 lbs.

- CSA enclosure 3R
- Conductor range load size No. 6 - 250 MCM CU/AL
- 1/2" line studs provided for compression type wire connectors
- For underground use only

KNOCKOUT CODE	CONDUIT SIZE
<b>AA</b>	1/2"
<b>G</b>	1 1/4", 1 1/2", 2", 2 1/2"
<b>F</b>	1", 1 1/4", 1 1/2", 2", 2 1/2", 3"

