

A12 LED AREA LIGHT GEN 2

This versatile family of highly efficient and powerful LED Area Lights features a wide range of lumen packages. Finished in bronze, with its modern design, each luminaire is compatible with various universal mountings which allow for wall, ground and pole mount. Typical applications include general lighting of grounds, storage yards, car dealerships, parking areas as well.



AREA LUMINAIRES
Single Power and Single CCT



FLOOD/AREA LIGHT
MOUNTING ACCESSORIES
[Sold separately¹]

FEATURES & SPECIFICATIONS

CONSTRUCTION

Housing

- This luminaire is made of aluminum die-cast housing
- Standard powder coat finish color is textured bronze
- Aluminum heat sink for a better heat dissipation

Mounting

Universal mounting system allowing the following mountings to be easily installed:

- Square or round (4", 5" and 6") pole arm
- Slipfitter with wall mount adapter
- Slipfitter
- Trunnion

Lens

- Outfitted with a clear polycarbonate lens that is UV resistant
- Offered in a type III distribution

TECHNICAL SPECIFICATIONS

- Drivers 120-277 V and 347-480 V
- 0-10 V dimming standard
- 10 kV surge protection standard
- Color temperatures: 4 000 K or 5 000 K

- Estimated lifespan of 60 000 hours to L70
- Ambient temperature: -40 to 40 °C

COMPLIANCES

- IP65
- Wet location
- IK08
- Meets requirements of ICES-005 issue 5 for class B products
- cULus

OVERVIEW			
LIGHT SOURCE	LED	EFFICIENCY (LM/W)	126 -144
WATTS [W]	100, 150, 230, 300, 400	CRI	70
LUMEN OUTPUT [LM]	12 998 - 57 551	COLOR TEMPERATURE [K]	4 000, 5 000

¹ See below for part numbers.

Not all products are qualified on the DLC QPL. To view our DLC qualified products, please consult the DLC Qualified Products List at www.designlights.org/search.

Data is based upon tests performed in a controlled environment. Actual performance can vary depending on operating conditions. All products are subject to change or may be discontinued any time without notice.

ORDERING GUIDE

A12 — L — 3 — — — — /

SERIES	SIZE	LAMP TYPE	LUMEN PACKAGE [W]	DISTRIBUTION TYPE	VOLTS [V]	COLOR TEMP. [K]	CASTING COLOR	OPTIONS
A12	S - SMALL	L - LED	1A - 100	3 - TYPE III	2 - 120-277 10 - 347-480	4K - 4 000 5K - 5 000	BR - BRONZE (STANDARD) BK - BLACK WH - WHITE SP - SPECIAL COLOR	OSI ¹ - OCCUPANCY SENSOR PR - 3 PIN RECEPTACLE PR7 - 7 PIN RECEPTACLE ONLY
	M - MEDIUM		2A - 150					
	L - LARGE		3A - 230					
	X - EXTRA LARGE		4A - 300 5A - 400					

¹Please contact factory for 4A and 5A lumen packages if a 347 V occupancy sensor is required.

OCCUPANCY SENSORS

PART NUMBER	POSITION	VOLTS [V]	TECHNOLOGY	HEIGHT [M]	DETECTION AREA [%]	HOLD TIME [MIN]	STAND-BY DIM LEVEL [%]	DAYLIGHT MIN LEVEL	REMOTE PART NUMBER	LOCATION ² [°C]
OSI-MSE	INTERNAL	120-347	MICROWAVE	10 MAX	100%	15 MIN	50	DISABLE	OSI-TW-SCR004 ¹	-35 TO +60

¹To be ordered separately.

²Verify fixture temperature for compatibility with sensor.

ACCESSORIES (ORDER SEPARATELY)

PART NO	DESCRIPTION	WEIGHT [LBS]
CAS979-SWIVEL-BR	BRONZE SLIPFITTER	2.65
CAS979-PA6-RNDSQBR	BRONZE SQUARE/ROUND POLE ARM	1.76
CAS979-TRUNNION-BR	BRONZE TRUNNION	2.43
CAS979-ADP-BR	BRONZE WALL/POLE MOUNT ADAPTER ¹	1.76
KITCAS979-SW-AD-BR	BRONZE SLIPFITTER AND WALL MOUNT ADAPTER	4.41

¹Wall mount adapter used conjunctively with Slipfitter

MADE TO ORDER ACCESSORIES (ORDER SEPARATELY)¹

PART NO	DESCRIPTION
CAS979-SWIVEL-BK	BLACK SLIPFITTER
CAS979-PA6RNDSQ-BK	BLACK SQUARE/ROUND POLE ARM
CAS979-TRUNNION-BK	BLACK TRUNNION
CAS979-ADP-BK	BLACK WALL/POLE MOUNT ADAPTER ²
KITCAS979-SW-AD-BK	BLACK SLIPFITTER AND WALL/POLE ADAPTER
CAS979-SWIVEL-WH	WHITE SLIPFITTER
CAS979-PA6RNDSQ-WH	WHITE SQUARE/ROUND POLE ARM
CAS979-TRUNNION-WH	WHITE TRUNNION
CAS979-ADP-WH	WHITE WALL/POLE MOUNT ADAPTER ²
KITCAS979-SW-AD-WH	WHITE SLIPFITTER AND WALL/POLE ADAPTER




¹Contact factory for special color

²Wall mount adapter used conjunctively with Slipfitter

TECHNICAL SPECIFICATION TABLE

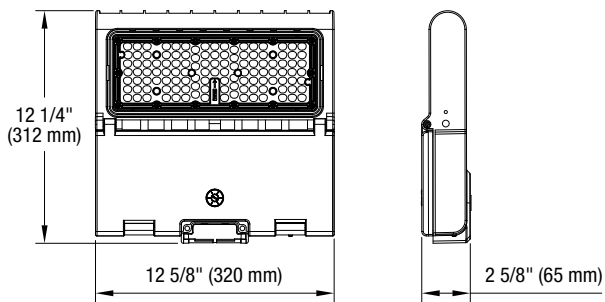
LUMEN PACKAGE	WATTS [W]	VOLTS [V]	DISTRIBUTION TYPE	LED CURRENT [MA]	4 000 K		5 000 K		CRI	PF	THD [%]	BUG	LIFE L70 [HRS]	TRADITIONAL EQUIVALENT [W]	
					LUMEN [LM]	EFFICIENCY [LM/W]	LUMEN [LM]	EFFICIENCY [LM/W]						MH	HPS
1A	100	120-277	III	0.87-0.38	12 998	130	13 126	131	70	0.997	5.34	B3-U0-G2	>60 000	250-400	250-400
	102	347-480	III	0.5	13 766	135	13 924	137	70	0.907	12.82	B3-U0-G2	>60 000	250-400	250-400
	151	120-277	III	1.412-0.601	19 950	132	20 138	134	70	0.995	5.14	B3-U0-G3	>60 000	400-1 000	400-1 000
2A	151	347-480	III	0.8	19 690	131	19 916	132	70	0.934	10.49	B3-U0-G3	>60 000	400-1 000	400-1 000
	234	120-277	III	2.191-0.947	33 137	142	33 458	143	70	0.997	6.01	B4-U0-G4	>60 000	400-1 000	400-1 000
3A	230	347-480	III	1.8	31 440	137	31 736	138	70	0.922	12.53	B4-U0-G4	>60 000	400-1 000	400-1 000
	300	120-277	III	2.703-1.168	41 071	137	41 467	138	70	0.998	5.87	B5-U0-G4	>60 000	400-1 000	1 000
4A	292	347-480	III	1.5	36 739	126	37 026	126	70	0.905	16.26	B4-U0-G4	>60 000	400-1 000	1 000
	400	120-277	III	3.618-1.613	57 039	143	57 551	144	70	0.998	2.91	B5-U0-G5	>60 000	1 000	1 000
5A	400	347-480	III	2.09	56 929	142	57 435	144	70	0.955	7.56	B5-U0-G5	>60 000	1 000	1 000

EPA

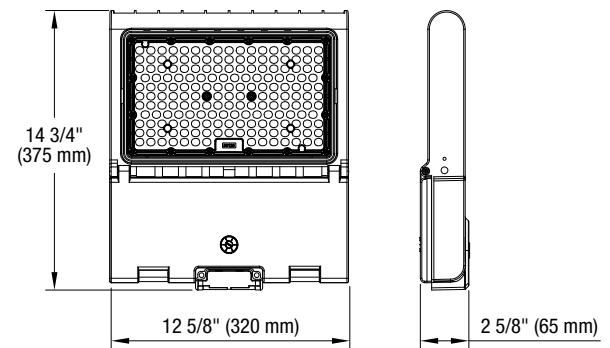
LUMEN PACKAGE					
1A-2A	0.53	0.84	1.08	1.23	1.51
3A	0.58	0.88	1.19	1.31	1.61
4A	0.63	1.04	1.29	1.42	1.73
5A	0.71	1.11	1.45	1.58	1.89

DIMENSIONS

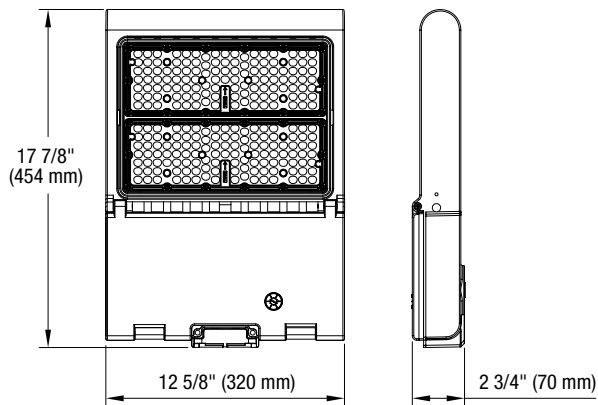
100-150 W



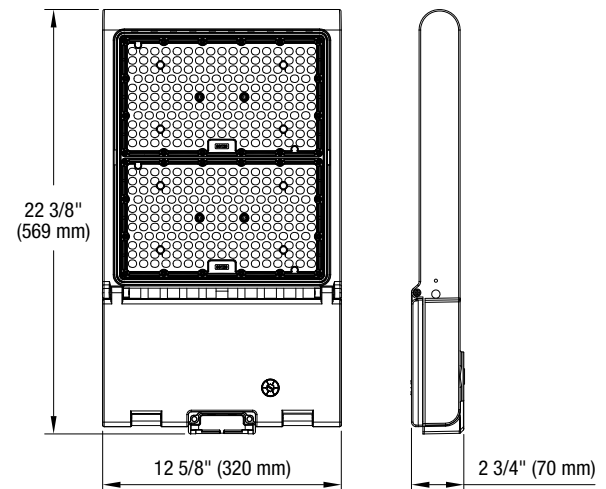
230 W



300 W



400 W



	100 W	150 W	230 W	300 W	400 W
WEIGHT (LBS)	8.82	9.26	11.24	15.21	18.30