

T&B Rigid Fittings

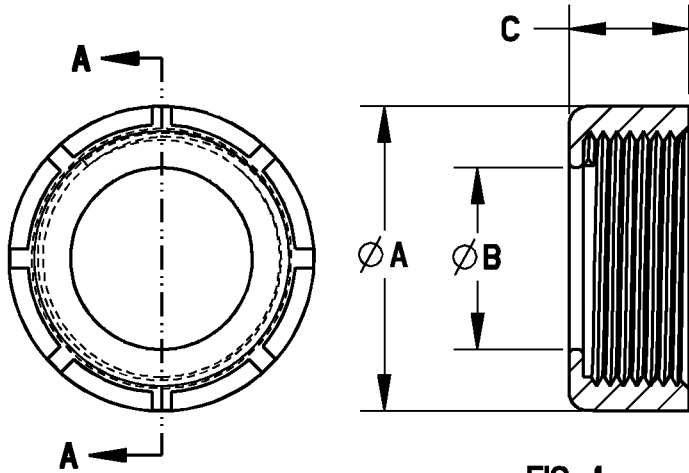
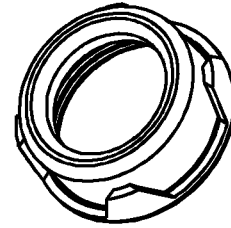
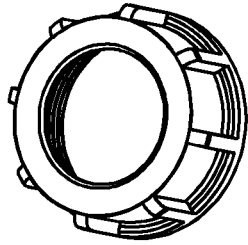


FIG. 1

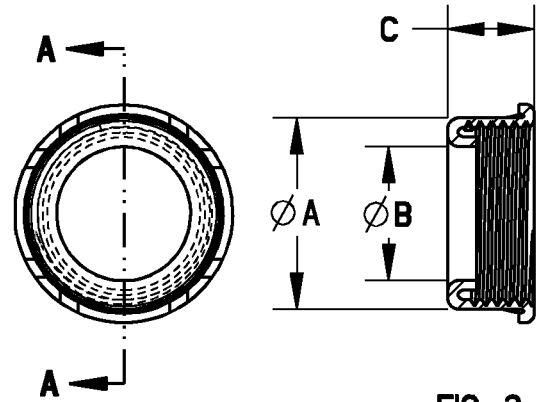



FIG. 2

NOTES:

1. MATERIAL: SIZE 1/2" THRU 1-1/2" (FIG. 2)- MALLEABLE IRON OR ALUMINUM (SUFFIX "AL")
SIZE 2" THRU 6" (FIG. 1)- STEEL OR ALUMINUM (SUFFIX "AL")
2. FINISH: ZINC PLATE

GENERAL NOTES		 www.tnb.com			
1. ALL DIMENSIONS ARE FOR REFERENCE ONLY. 2. DIMENSIONS IN BRACKETS [] ARE IN METRIC UNITS.					
REVISIONS		ORIGINAL PROJECT NO / (ERN NO)	SHEET NO:	REV. NO:	DRAWING NO:
1 SEE ERN 2003652 FOR APPROVAL SIGNATURES & RELEASE DATE. PROJECT NO: RM401797		RM401797 / (2002804)	1 OF 2	1	WSD-000019

CAT. NO.	SIZE	FIG.	ØA	ØB	C	THREAD
122	1/2"	2	1.031 [26,19]	.594 [15,09]	.406 [10,31]	1/2-14
122AL	1/2"	2	1.031 [26,19]	.594 [15,09]	.406 [10,31]	1/2-14
123	3/4"	2	1.281 [32,54]	.812 [20,62]	.812 [10,31]	3/4-14
123AL	3/4"	2	1.281 [32,54]	.812 [20,62]	.812 [10,31]	3/4-14
124	1"	2	1.594 [40,49]	1.000 [25,4]	.375 [9,6]	1-11 1/2
124AL	1"	2	1.594 [40,49]	1.000 [25,4]	.375 [9,6]	1-11 1/2
125-TB	1-1/4"	2	1.938 [49,23]	1.344 [34,14]	.562 [14,3]	1 1/4-11 1/2
125AL	1-1/4"	2	1.938 [49,23]	1.344 [34,14]	.562 [14,3]	1 1/4-11 1/2
126	1-1/2"	2	2.188 [55,58]	1.562 [39,67]	.562 [14,3]	1 1/2-11 1/2
126AL	1-1/2"	2	2.188 [55,58]	1.562 [39,67]	.562 [14,3]	1 1/2-11 1/2
127	2"	1	2.688 [68,28]	2.000 [50,8]	.594 [15,09]	2-11 1/2
127AL	2"	1	2.688 [68,28]	2.000 [50,8]	.594 [15,09]	2-11 1/2
128	2-1/2"	1	3.188 [80,98]	2.438 [61,93]	.812 [20,62]	2 1/2-8
128AL	2-1/2"	1	3.188 [80,98]	2.438 [61,93]	.812 [20,62]	2 1/2-8
129	3"	1	3.844 [97,64]	3.000 [76,2]	.812 [20,62]	3-8
129AL	3"	1	3.844 [97,64]	3.000 [76,2]	.812 [20,62]	3-8
130-TB	3-1/2"	1	4.438 [112,73]	3.406 [86,51]	.938 [23,83]	3 1/2-8
130AL	3-1/2"	1	4.438 [112,73]	3.406 [86,51]	.938 [23,83]	3 1/2-8
131-TB	4"	1	4.875 [123,83]	3.875 [98,43]	1.000 [25,4]	4-8
131AL	4"	1	4.875 [123,83]	3.875 [98,43]	1.000 [25,4]	4-8
132AL	4-1/2"	1	5.438 [138,13]	4.375 [111,13]	1.078 [27,38]	4 1/2-8
133-TB	5"	1	6.062 [153,97]	4.812 [122,22]	1.062 [26,98]	5-8
134-TB	6"	1	7.188 [182,58]	5.812 [147,62]	1.062 [26,98]	6-8
134AL	6"	1	7.188 [182,58]	5.812 [147,62]	1.062 [26,98]	6-8

Thomas & Betts
www.tnb.com

DESCRIPTION:

**1/2" TO 6"
METALLIC CONDUIT BUSHINGS**

SHEET NO:

2 OF 2

REV. NO:

1

DRAWING NO:

WSD-000019