



ESLPK Series

6, 12 and 24V
NEMA-12 Classified

Type: _____
 Project/Location: _____
 Contractor: _____
 Prepared By: _____
 Date: _____
 Model No.: _____

Harsh environment emergency lighting units with steel, thermoplastic or fiberglass cabinets.

The **ESLPK Series** battery units are specifically designed for use in industrial facilities where equipment is exposed to dust, water, oil or corrosive substances. NEMA-12 classified to protect circuitry from harmful dust or liquid sprays, sealed and gasketed unit cabinets are available in steel, thermoplastic or fiberglass in a variety of sizes.

FEATURES

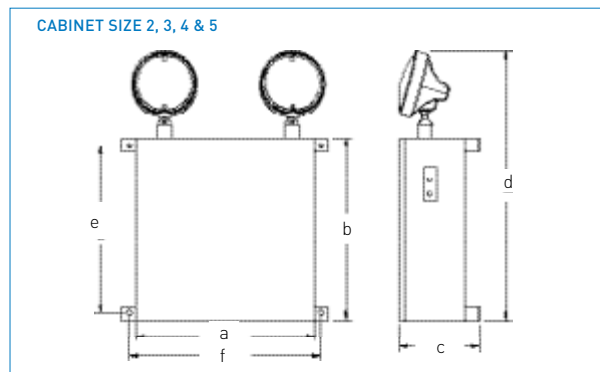
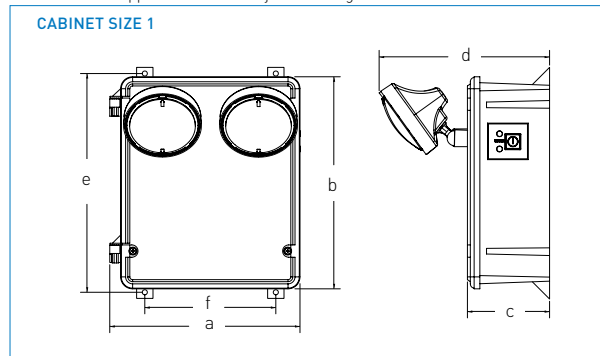
- Solid-state pulse-type charger – current-limited, temperature compensated, short-circuit proof and reverse-polarity protected.
- Unit comes standard with electronic lockout and brownout circuits
- Sealed dust-proof transfer relay, test switch and LED indicator lights
- Long-life, maintenance-free sealed lead acid battery
- NEXUS® compatible (for more information on NEXUS®, please consult your sales representative)
- CSA C22.2 No. 141 certified
- Standard 120/347 VAC input with line cord kit



nexus®

DIMENSIONS

Dimensions are approximate and subject to change.



TYPICAL SPECIFICATIONS

Supply and install a complete emergency lighting system as described herein and shown on the drawings. The **Emergi-Lite® Smart Diagnostic** Micro controller board shall supply the rated load for a minimum of a 1/2 hour to 87.5% of the rated battery voltage. The unit shall be rated 120V or 347V, 60 Hz and be CSA listed. The unit shall have an output of _____ V. The charger shall be fully computer tested and its charge voltage factory set to ± 1% tolerance. Chargers with field-adjusted potentiometers are not acceptable. A pulse-type charger shall be employed to promote long battery life and reduce the potential for grid corrosion. The charger shall provide a continuous high charge to recharge the battery and when the battery is at full capacity, the charger will shut off. Periodically the charger shall provide a pulse of energy to keep the battery topped off. The Pulse charge shall be current limited and precisely regulated by a micro-processing circuit, which samples the battery in relation to its temperature, state or charge and input voltage fluctuations. The charger shall be current limited, temperature compensated, short-circuit proof and reverse polarity protected. The unit shall be furnished with an electronic lockout circuit, which will connect the battery when the AC circuit is activated, and an electronic brownout circuit, which will activate the emergency lights when utility power dips below 75% of nominal voltage. A low voltage battery protection circuit shall be provided and will disconnect the battery from the fused output circuit at the end of discharge. The unit shall self-test for 1 minute every 30 days, 10 minutes every 6 months and 30 minutes every 12 months. The unit shall be capable of full recharge in compliance with CSA specifications. The unit shall be furnished with a sealed dust tight relay, a test switch and diagnostic LED indicator lights to continuously monitor the status of the unit: Battery Failure, Battery Disconnected, Charger Failure, Lamp Failure, Service Alarm, AC "ON", Charger High Rate.

The unit shall be **Emergi-Lite®** model: _____.

WIRE GUARDS

460.0034-E	Wall Mount
------------	------------

CABINET	DIMENSIONS					
	A	B	C	D	E	F
Size 1 Thermoplastic	11 ^{5/8"} (29.5 cm)	13" (33.0 cm)	5" (12.7 cm)	10 ^{3/8"} (26.4 cm)	12 ^{15/16"} (32.8 cm)	8" (20.3 cm)
Size 2 Fiberglass	13 ^{1/4"} (33.8 cm)	15 ^{3/8"} (38.9 cm)	6 ^{3/4"} (17.0 cm)	21" (53.3 cm)	14 ^{3/4"} (37.5 cm)	8 ^{1/8"} (20.6 cm)
Size 3 Fiberglass	16 ^{3/8"} (41.5 cm)	24 ^{1/4"} (61.5 cm)	9 ^{1/4"} (23.4 cm)	30 ^{3/8"} (77.3 cm)	-	-
Size 4 Steel	13" (33.0 cm)	13 ^{1/4"} (33.8 cm)	5 ^{7/8"} (14.8 cm)	19 ^{1/2"} (49.6 cm)	12 ^{1/8"} (30.8 cm)	13 ^{15/16"} (35.3 cm)
Size 5 Steel	16" (40.6 cm)	20" (50.8 cm)	9 ^{1/8"} (23.3 cm)	26 ^{1/4"} (66.7 cm)	-	-

REPLACEMENT LAMPS

MODEL	LAMP TYPE	VOLTAGE/WATTAGE
570.0016-E	Mini-Tungsten (LH9W)	6V-9W
570.0025-E	Mini-Tungsten (LH9W)	12V-9W
570.0045-E	Mini-Tungsten (LH9W)	24V-9W

Type: _____
 Project/Location: _____
 Contractor: _____
 Prepared By: _____
 Date: _____
 Model No.: _____

ESLPK Series

6, 12 and 24V
 NEMA-12 Classified



POWER CONSUMPTION AND UNIT RATING

MODEL	AC SPECS	WATTAGE CAPACITY					
		30MIN	1H00	1H30	2H00	4H00	
06ESLK36	120/347VAC	0.10/0.04A	36	21	15	12	6
06ESLK72		0.22/0.08A	72	42	30	24	12
06ESLK108		0.22/0.08A	108	63	45	36	18
06ESLK180		0.22/0.08A	180	105	75	60	30
12ESLK36		0.09/0.03A	36	21	15	12	6
12ESLK72		0.15/0.06A	72	42	30	24	12
12ESLK100		0.34/0.12A	100	58	42	33	17
12ESLK144		0.40/0.14A	144	84	60	48	24
12ESLK200		0.41/0.14A	200	117	83	67	33
12ESLK250		0.41/0.14A	250	144	100	83	42
12ESLK360		0.43/0.15A	360	200	144	108	60
24ESLK144		0.55/0.20A	144	84	60	48	24
24ESLK288		0.67/0.23A	288	168	120	96	48
24ESLK350		0.67/0.23A	350	200	144	120	60
24ESLK432		0.67/0.23A	432	250	180	144	72
24ESLK550		0.88/0.33A	550	320	230	180	90
24ESLK720		0.88/0.33A	720	400	288	216	120

ORDERING INFORMATION

SERIES	HOUSING	CAPACITY AND CABINET	VOLTAGE	OPTIONS	# OF HEADS	HEAD STYLE/LAMP WATTAGE	SPECIAL OPTIONS
06ESL=6V	K= metal PK= PVC/fiberglass	36= 36W (1, 2, 5) 72= 72W (1, 2, 5) 108= 108W (1, 2, 5) 180= 180W (1, 2, 5)	Blank= 120/347VAC input -2= 277VAC input	U= auto-diagnostics* UN= auto-diagnostics, non-audible* NEX= NEXUS® system interface* NEXRF= wireless NEXUS® system interface** A= ammeter V= voltmeter D= time delay (programmable) L= line cord (120V only)*** LW= twist-lock plug (120V only)*** P= light activated test switch T= lamp disconnect TB= DC terminal block TBAC= AC terminal block TBACDC= AC/DC terminal block X2= remote test receiver** * Minimum lamp load required: 20% of unit capacity. * Not all options available with NEXUS®. Please consult your sales representative. ** T2X= remote test transmitter (sold separately) *** 120V is standard	/0= no heads /1= one head /2= two heads	Blank= large tungsten, 6V, 12V, 24V-9W, wedge base WPLA= MR16 LED, 6V-4W WPLG= MR16 LED, 12V-4W WPLI= MR16 LED, 12V-5W WPLJ= MR16 LED, 12V-6W WPLL= MR16 LED, 24V-4W WPLM= MR16 LED, 24V-6W -18= large tungsten, 12V, 24V-18W, wedge base -25= large tungsten, 6V, 12V, 24V-25W, DCB Q8= large halogen, 6V, 12V- 8W, bi-pin Q12= large halogen, 6V, 12V-12W, bi-pin Q20= large halogen, 6V, 12V, 24V-20W, bi-pin Q55= large halogen, 12V-55W, H3 Q70= large halogen 24V-70W, H3 S= large tungsten, 6V, 12V-8W, sealed beam S18= large tungsten, 6V, 12V-18W, sealed beam S25= large tungsten, 6V, 12V-25W, sealed beam H= large halogen, 6V, 12V-8W, sealed beam H12= large halogen, 6V, 12V-12W, sealed beam H20= large halogen, 6V-20W, sealed beam RS= large rubber, tungsten, 6V-8W, sealed beam RS18= large rubber, tungsten, 6V, 12V-18W, sealed beam RS25= large rubber, tungsten, 6V, 12V-25W, sealed beam RH= large rubber, halogen, 6V, 12V-8W, sealed beam RH12= large rubber, halogen, 6V, 12V-12W, sealed beam RH20= large rubber, halogen, 6V-20W, sealed beam	FP= food processing lens*
12ESL=12V		36= 36W (1, 2, 5) 72= 72W (1, 2, 5) 100= 100W (1, 2, 5) 144= 144W (1, 2, 5) 200= 200W (1, 2, 5) 250= 250W (3, 6) 360= 360W (3, 6)					
24ESL=24V		144= 144W (1, 2, 5) 288= 288W (1, 2, 5) 350= 350W (4, 7) 432= 432W (4, 7) 550= 550W (4, 7) 720= 720W (4, 7)					

EXAMPLE: 06.362H