

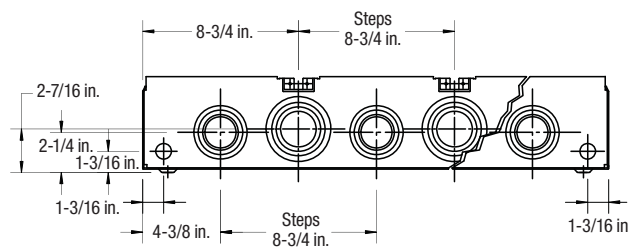
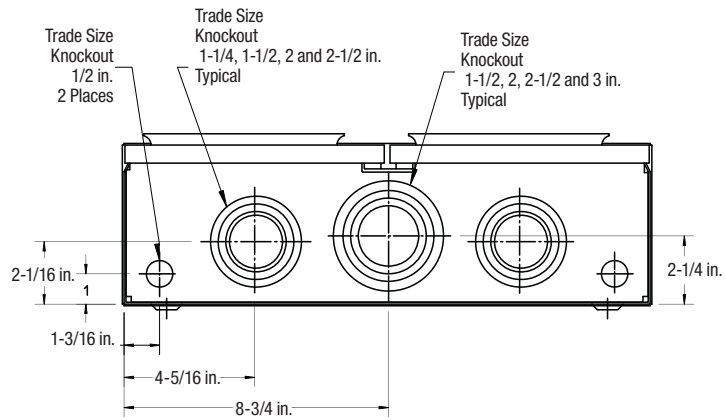
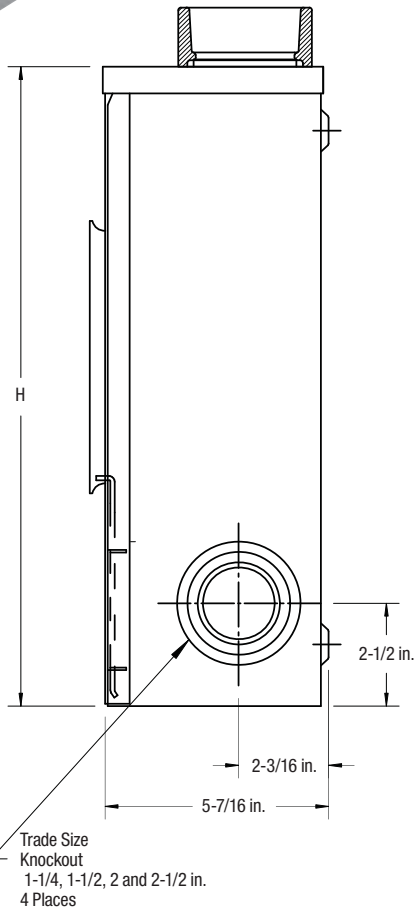
(BD2-V)

BD2 Series

**200 A (Main Lugs) 600 V;
Multiple Position – 200 A per Position**

Product Specifications

- Conductor range: Line: 6 AWG-250 kcmil, Load: 6 AWG-250 kcmil
- Aluminum tunnel type connectors for both load and line sides
- Factory prebussed from main lugs to each position
- Supplied with hub opening closure plate for underground service
- Combination overhead underground
- Supplied with screw type rings
- Weatherproof Type 3R enclosure
- **Primarily used in: All provinces**



Note: Pattern for bottoms. Left hand entry is shown. For right-hand entry, unit is manufactured symmetrically with hub openings, knockout and line connections on right side.

 Approved for copper or aluminum

Cat. No.	Meter Position	Dimensions (in.)			Weight Each	
		H	W	D	lb.	kg
4 JAW						
LEFT-HAND ENTRY	RIGHT-HAND ENTRY					
BD2-V	BD2-VH	2 position	17-1/2	5-7/16	23	10.4
BD3-V	BD3-VH	3 position	26-1/4		35	15.9
BD4-V	BD4-VH	4 position	35		47	21.3
BD2-VBC	—	2 position for British Columbia	20		17-1/2	27

BDA2-V Series

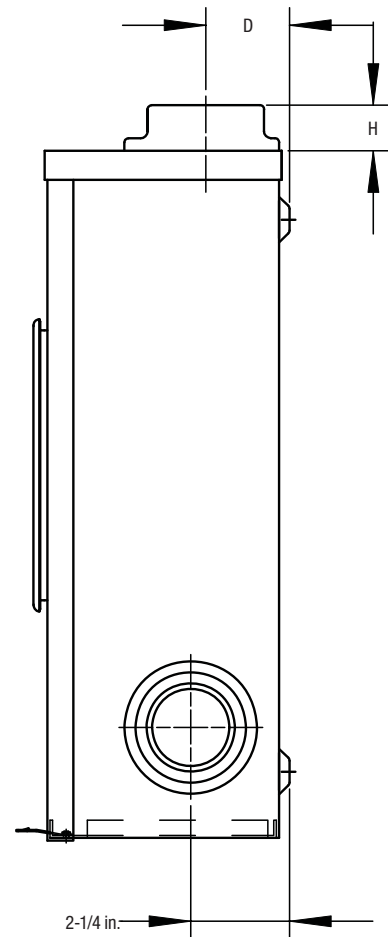
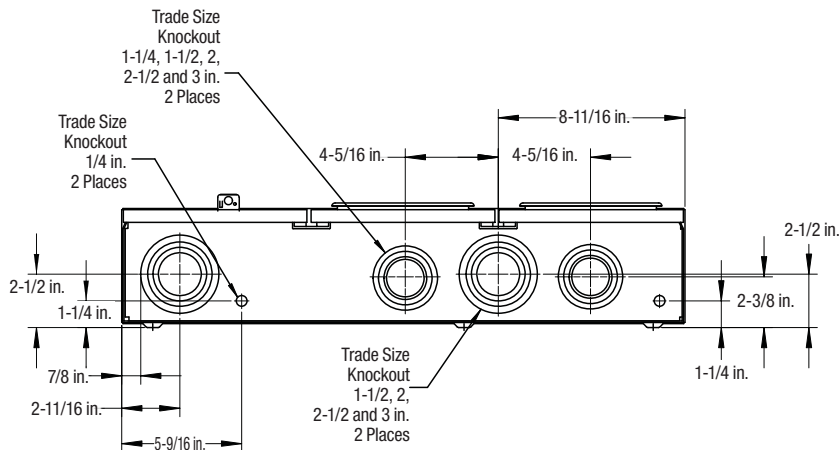
200 A (Main Lugs) 600 V; Multiple Position with Blank Compartment 200 A per position

Product Specifications

- Conductor range: Line: 6 AWG-250 kcmil, Load: 6 AWG-250 kcmil
- Aluminum tunnel type connectors for load side
- Combination overhead and underground
- Hub opening closure plate for underground service
- Supplied with screw type rings
- Weatherproof Type 3R enclosure
- **Primarily used in: Ontario only**



(BDA2-V)

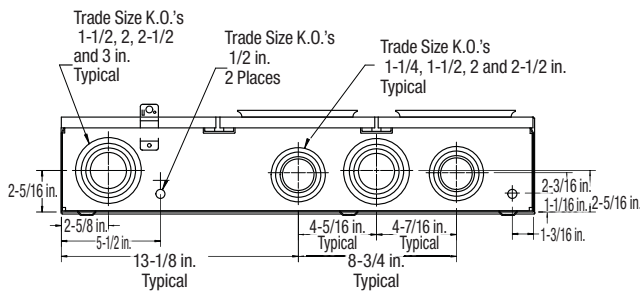
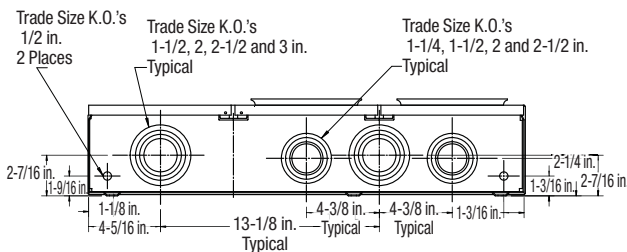
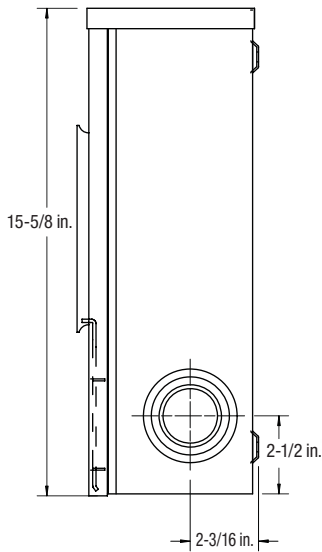


 Approved for copper or aluminum

Cat. No.	Meter Position	Dimensions (in.)			Weight Each	
		H	W	D	lb.	kg
4 JAW						
LEFT-HAND ENTRY	RIGHT-HAND ENTRY					
BDA2-V	BDA2-VH	2 position	15-5/8	26-3/16	5-1/4	31 14.6



(BDC2-VIL)



Note: Pattern for bottoms. Left hand entry is shown. For right-hand entry, unit is manufactured symmetrically with hub openings, knockouts for line connectors on right side.

BDC Series

**200 A (Main Lugs) 600 V; Stud Type
Multiple Position with Blank Compartment
200 A per Position**

Product Specifications

- Conductor Range: Line: Single 1/2 in. studs to accommodate compression lugs (supplied by utility), Load: 6 AWG-250 kcmil
- Aluminum tunnel type connectors for load sides
- For underground service only
- Factory prebussed from main lugs to each position
- Supplied with screw type sealing rings
- Weatherproof Type 3R enclosure
- **Primarily used in: All provinces**



Approved for copper or aluminum

For use in All Provinces

Cat. No.		Meter Position	Dimensions (in.)			Weight Each	
Left-Hand Entry	Right-Hand Entry		H	W	D	lb.	kg
4 JAW							
BDC2-V	BDC2-VH	2 position	15-5/8	26-1/4	5-1/4	30	13.6
BDC3-V	BDC3-VH	3 position		35		42	19.0
BDC4-V	BDC4-VH	4 position		43-3/4		54	24.5

Locking system outside meter section.



Approved for copper or aluminum

For use in Quebec

Cat. No.		Meter Position	Dimensions (in.)			Weight Each	
Left-Hand Entry	Right-Hand Entry		H	W	D	lb.	kg
4 JAW							
BDC2-VIL	BDC2-VHIL	2 position	15-5/8	26-1/4	5-1/4	30	13.6
BDC3-VIL	BDC3-VHIL	3 position		35		42	19.0
BDC4-VIL	BDC4-VHIL	4 position		43-3/4		54	24.5

Locking system inside meter section.



Approved for copper or aluminum

For use in British Columbia

Cat. No.		Meter Position	Dimensions (in.)			Weight Each	
Left-Hand Entry	Right-Hand Entry		H	W	D	lb.	kg
4 JAW							
BDC2-VAILBC	BDC2-VAHILBC	2 position	20-3/4	26-1/4	5-1/4	30	13.6
BDC3-VAILBC	BDC3-VAHILBC	3 position		35		42	19.0
BDC4-VAILBC	BDC4-VAHILBC	4 position		43-3/4		54	24.5

Locking system inside meter section, comes with tunnel type connector on line side.

BS4 Series

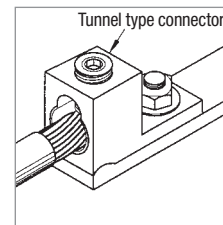
400 A (Main Lugs) 600 V; Multiple Position with Blank Compartment 200 A per Position

Product Specifications

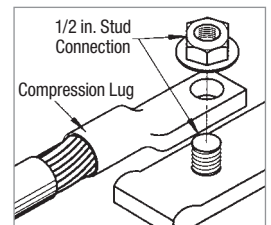
- Conductor range: Line: Dual rated connectors for 1 x 4 AWG-600 kcmil or 2 x 1/0 AWG-250 kcmil, Load: 6 AWG-250 kcmil
- Aluminum tunnel type connectors for both load and line sides
- Factory prebussed from main lugs to each position
- Combination overhead-underground
- Supplied with hub opening closure plate for underground service
- Larger hub opening requires use of 3 in. , 3-1/2 in. or 4 in. hubs unless BS052 adapter plate is used
- Supplied with screw type rings
- Weatherproof Type 3R enclosure
- **Primarily used in: All provinces**



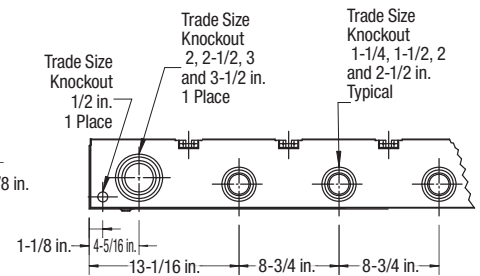
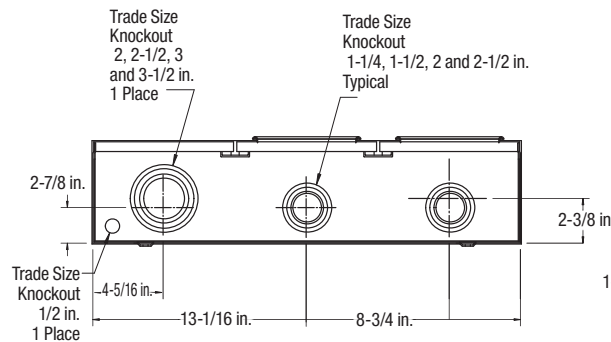
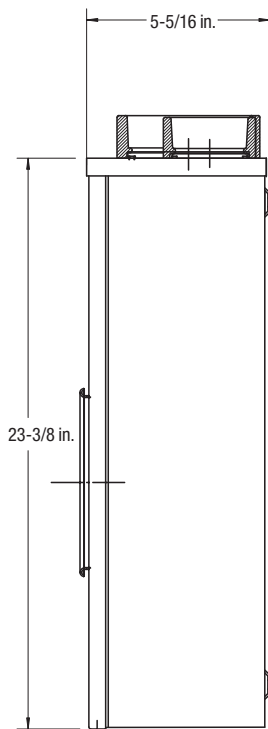
(BS42-V)



TUNNEL TYPE CONNECTOR TERMINATION LOAD AND LINE



COMPRESSION LUG TERMINATION (WITH STUD CONNECTION) 500 KCMIL MAX. UNDERGROUND APPLICATION COMPRESSION CONNECTOR SUPPLIED BY UTILITY.



Cat. No.	Meter Position	Dimensions (in.)			Weight Each	
		H	W	D	lb.	kg
4 JAW						
LEFT-HAND ENTRY	RIGHT-HAND ENTRY					
BS42-V	BS42-VH	2 position	26-1/4	5-5/16	45	20.4
BS43-V	BS43-VH	3 position	35		59	26.8
BS44-V	BS44-VH	4 position	43-3/4		73	33.1
BS45-V	BS45-VH	5 position	52-1/2		87	39.5
BS46-V	BS46-VH	6 position	61-1/4		101	45.9