



JMLC Series

Steel, compact, 6V and 12V

Project/Location: _____

Contractor: _____

Date: _____

Prepared by: _____

FEATURES

- Compact steel cabinet with corrosion-resistant undercoating
- Quick and easy installation – pre-assembled cordset, no batteries or board to remove before installation
- Universal Spider knockout pattern for junction box mounting
- Fully automatic solid-state charger with test switch and AC-on pilot light
- Sealed dust-proof transfer relay circuit and low-voltage disconnect
- Long-life, maintenance-free sealed
- NEXUS® compatible. Please consult your sales representative
- Heads require no tools for orientation
- Standard input 120 VAC with line cord installed
- 120/347 VAC without line cord
- Certified CSA C22.2 No.141



nexus®

TYPICAL SPECIFICATIONS

The contractor shall install the **Emergi-Lite® JMLC Series** battery units. The emergency lighting system shall consist of fully automatic equipment with two emergency lighting heads. The unit shall be rated ____ V with a capacity of ____ W for 30 minutes of emergency operation.

The charger shall be factory set with a charging voltage tolerance of $\pm 1\%$ to enable a longer battery life. The emergency light heads shall require no tools for adjusting or aiming. The metal cabinet shall be made of steel with anti-corrosion undercoating.

The unit equipped with the auto-test micro-controller board shall self-test 1 minute every 30 days, 10 minutes every 6 months and 30 minutes every 12 months. The unit shall be supplied with a test switch and diagnostic LED indicator lights to continuously monitor the status of the unit: Battery Failure, Battery Disconnect, Charger Failure, Lamp Failure, Service Alarm, main voltage AC "ON", Charger High Rate.

The unit shall be CSA Certified to C22.2 no.141.

The unit shall be **Emergi-Lite®** model: _____.

WIRE GUARDS

460.0080-E	Wall Mount
------------	------------

POWER CONSUMPTION AND UNIT RATING

MODEL	AC SPECS		WATTAGE CAPACITY				
			30MIN	1H00	1H30	2H00	4H00
06JMLC27	120/347 VAC	0.06/0.02 A	27	15	11	9	-
06JMLC44		0.18/0.06 A	44	26	18	15	7
06JMLC72		0.19/0.07 A	72	42	30	24	12
12JMLC44		0.31/0.10 A	44	26	18	15	7
12JMLC72		0.31/0.10 A	72	42	30	24	12

REPLACEMENT LAMPS

ORDERING CODE	LAMP TYPE	VOLTAGE/ WATTAGE
570.0012-E	Mini tungsten	6V-9W
570.0025-E	Mini tungsten	12V-9W
580.0097-E	MR16, LED	6V-4W
580.0093-E	MR16, LED	12V-4W
580.0104-E	MR16, LED	12V-5W
580.0106-E	MR16, LED	12V-6W

For the complete list, please see the lamp chart on pages 156 to 158

Project/Location:

 Contractor:

 Date:

 Prepared by:

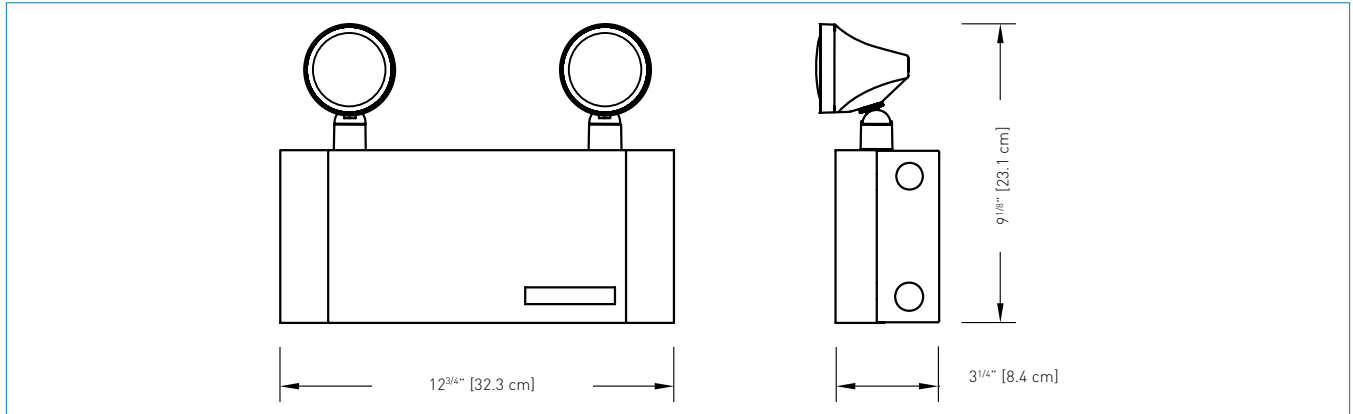
JMLC Series

Steel, compact, 6V and 12V



DIMENSIONS

Dimensions are approximate and subject to change.



ORDERING INFORMATION

SERIES	CAPACITY	COLOUR	VOLTAGE	OPTIONS	# OF HEADS	HEADS STYLE/WATTAGE
06JMLC = 6V	27= 27W 44= 44W 72= 72W	Blank= factory white BK= black	Blank= 120VAC c/w linecord -2= 277VAC input -3= 120/347VAC input	Blank= no options U= auto-diagnostics* UN= auto-diagnostics, non-audible* NEX= NEXUS® system interface* NEXRF= wireless NEXUS® system interface* CT= cab-tire LW= twist-lock plug**	/0= no heads /1= one head /2= two heads	Blank= large tungsten, 6V, 12V-9W, wedge base LA= MR16 LED, 6V-4W LG= MR16 LED, 12V-4W LI= MR16 LED, 12V-5W LJ= MR16 LED, 12V-6W MI= MR16 halogen, 6V-6W MJ= MR16 halogen, 6V-10W MK= MR16 halogen, 12V-12W MA= MR16 halogen, 12V-20W -18= large tungsten, 12V-18W, wedge base -25= large tungsten, 6V, 12V-25W, DCB M= mini tungsten, 6V, 12V-9W, wedge base M18= mini tungsten, 12V-18W, wedge base MQ= mini halogen, 6V, 12V-8W, bi-pin MQ12= mini halogen, 6V, 12V, 24V-12W, bi-pin Q= large halogen, 6V, 12V-8W, bi-pin Q12= large halogen, 6V, 12V-12W, bi-pin Q20= large halogen, 6V, 12V, 24V-20W, bi-pin S= large tungsten, 6V-8W, sealed beam S18= large tungsten, 6V, 12V-18W, sealed beam S25= large tungsten, 6V, 12V-25W, sealed beam H= large halogen, 6V, 12V-8W, sealed beam H12= large halogen, 6V, 12V-12W, sealed beam H20= large halogen, 6V-20W, sealed beam
12JMLC= 12V	44= 44W 72= 72W					

*Not available in 6V-72W.

*Not all options available with NEXUS® system. Please consult your sales representative.

** 120V is standard

EXAMPLE: 06JMLC44/2M