



MQMP-NC Series

Remote Fixture

Type: _____
 Project/Location: _____
 Contractor: _____
 Prepared By: _____
 Date: _____
 Model No.: _____

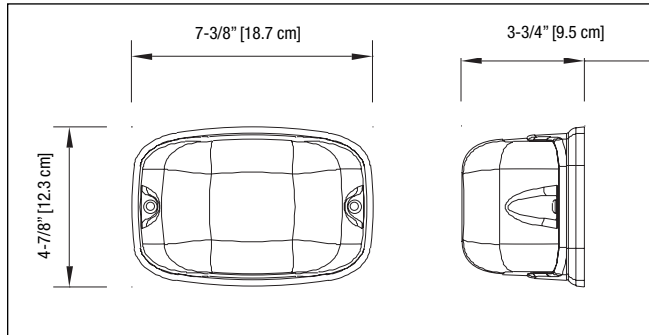
FEATURES

- Quality illumination requires fewer fixtures
 - Clear polycarbonate UV and impact resistant lens with optional tamper-proof screws to prevent tampering
 - Easy lamp replacement
 - Modern design will blend into surroundings
 - Selection of Die-Cast or polycarbonate back plate
 - For indoor use only
 - CSA certified to C22.2 No. 141-15
- See warranty details at: www.tnb.ca/en/brands/lumacell



DIMENSIONS

Dimensions are approximate and subject to change.



WIRE GUARDS

460.0029-L	Wall Mount
------------	------------

ORDERING INFORMATION: MQMP

SERIES	LAMP TYPE/VOLTAGE/WATTAGE	COLOUR	OPTIONS
MQMP1NC = polycarbonate, one lamp MQMP2NC = polycarbonate, two lamps	LD1 = MR16 LED, 6V-4W LD7 = MR16 LED, 12V-4W LD9 = MR16 LED, 12V-5W LD10 = MR16 LED, 12V-6W LD13 = MR16 LED, 24V-4W 6V6W = MR16 halogen, 6V-6W 6V10W = MR16 halogen, 6V-10W 12V12W = MR16 halogen, 12V-12W 24V12W = MR16 halogen, 24V-12W	Blank = factory white BK = black SG = grey	Blank = no options T = tamper-proof screws* * 690.0454-L= tamper-proof bit (sold separately)

EXAMPLE: MQMP1NC6V6WBK

ORDERING INFORMATION: MQM

SERIES	LAMP TYPE/VOLTAGE/WATTAGE	COLOUR	OPTIONS
MQM1NC = Die-Cast, one lamp MQM2NC = Die-Cast, two lamps	LD1 = MR16 LED, 6V-4W LD7 = MR16 LED, 12V-4W LD9 = MR16 LED, 12V-5W LD10 = MR16 LED, 12V-6W LD13 = MR16 LED, 24V-4W LD14 = MR16 LED, 24V-6W LD26 = MR16 LED, 120V-4W 6V6W = MR16 halogen, 6V-6W 6V10W = MR16 halogen, 6V-10W 12V12W = MR16 halogen, 12V-12W 12V20WH = MR16-IR, 12V-20W, high output 24V12W = MR16 halogen, 24V-12W 24V20W = MR16 halogen, 24V-20W	Blank = factory white BK = black SG = grey	Blank = no option T = tamper-proof screws* * 690.0454-L= tamper-proof bit (sold separately)

EXAMPLE: MQM2NC12V20W

TYPICAL SPECIFICATIONS

Supply and install Lumacell® MQMP-NC Series remote emergency lighting. These remote fixtures will consist of either single or double lamp configurations as specified and include a UV resistant fire retardant Die-Cast polycarbonate back plate and a clear heavy-duty UV resistant polycarbonate light cover.

The remote fixture shall be certified to CSA C22.2 No. 141. The head(s) shall be fully adjustable and be equipped with high efficiency MR16 halogen or LED lamp(s) of _____ V, _____ W.

The remote fixtures shall be certified to CSA 22.2 No.141-15

The remote unit shall be the Lumacell® model: _____.

REPLACEMENT LAMPS: MQMP

MODEL	LAMP TYPE	VOLTAGE/WATTAGE
580.0074-L	MR16 Flood	6V-6W
580.0079-L	MR16 Flood	6V-10W
580.0080-L	MR16 Flood	12V-12W
580.0070-L	MR16 Flood	24V-12W
580.0097-L	MR16 LED	6V-4W
580.0093-L	MR16 LED	12V-4W
580.0104-L	MR16 LED	12V-5W
580.0106-L	MR16 LED	12V-6W
580.0098-L	MR16 LED	24V-4W

See the complete list p. 152-154.

REPLACEMENT LAMPS: MQM

MODEL	LAMP TYPE	VOLTAGE/WATTAGE
580.0068-L	MR16 IR flood	12V-20W
580.0077-L	MR16 flood	24V-20W
580.0100-L	MR16 LED	24V-6W
580.0113-L	MR16 LED	120V-4W