

Type: \_\_\_\_\_  
 Project/Location: \_\_\_\_\_  
 Contractor: \_\_\_\_\_  
 Prepared By: \_\_\_\_\_  
 Date: \_\_\_\_\_  
 Model No.: \_\_\_\_\_

# MQM-NX Series

## NEMA-4X Certified Remote Fixture



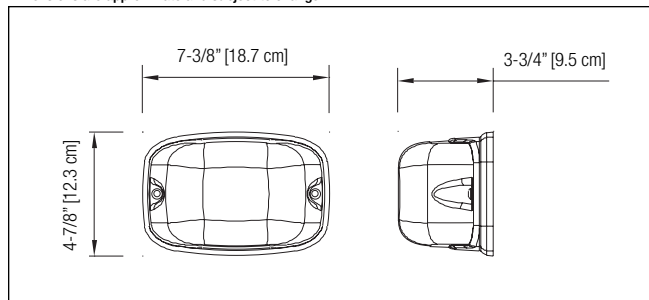
### FEATURES

- Fully gasketed with a selection of Die-Cast aluminum or polycarbonate back plate
  - Clear polycarbonate UV and impact resistant lens
  - Choice of single or double lamp models
  - Available in 6, 12 and 24V models MR16 or LED
  - Easy lamp replacement
  - Comes standard with tamper-proof screws and bit
  - NSF Certified for food processing plants
  - NEMA-4X Certified\*
  - Suitable for indoor/outdoor installation
  - CSA Certified to C22.2 No. 141-15
- See warranty details at: [www.tnb.ca/en/brands/lumacell](http://www.tnb.ca/en/brands/lumacell)



### DIMENSIONS

Dimensions are approximate and subject to change.



#### IN THE SAME FAMILY:



### ORDERING INFORMATION: MQMP

SERIES	LAMP TYPE/VOLTAGE/WATTAGE	COLOUR	OPTIONS
MQMP1NX= polycarbonate, one lamp MQMP2NX= polycarbonate, two lamps	LD1= MR16 LED, 6V-4W LD7= MR16 LED, 12V-4W LD9= MR16 LED, 12V-5W LD10= MR16 LED, 12V-6W LD13= MR16 LED, 24V-4W	6V6W= MR16 halogen, 6V-6W 6V10W= MR16 halogen, 6V-10W 12V12W= MR16 halogen, 12V-12W 24V12W= MR16 halogen, 24V-12W	Blank= factory white BK= black SG= grey  * SM= surface mount*  * Surface plastic junction box included

EXAMPLE: MQMP1NX6V6WBK

### ORDERING INFORMATION: MQM

SERIES	LAMP TYPE/VOLTAGE/WATTAGE	COLOUR
MQM1NX= Die-Cast, one lamp MQM2NX= Die-Cast, two lamps	LD1= MR16 LED, 6V-4W LD7= MR16 LED, 12V-4W LD9= MR16 LED, 12V-5W LD10= MR16 LED, 12V-6W LD13= MR16 LED, 24V-4W LD14= MR16 LED, 24V-6W LD26= MR16 LED, 120V-4W	6V6W= MR16 halogen, 6V-6W 6V10W= MR16 halogen, 6V-10W 12V12W= MR16 halogen, 12V-12W 12V20WH= MR16-IR, 12V-20W, high output 24V12W= MR16 halogen, 24V -12W 24V20W= MR16 halogen, 24V-20W

EXAMPLE: MQM2NX12V20W

### TYPICAL SPECIFICATIONS

Supply and install Lumacell® MQMP Series remote emergency lighting fixtures. These remote fixtures will consist of either single or double lamp configurations according to the design. These fixtures shall be fully gasketed with a UV resistant and fire retardant Die-Cast aluminum or polycarbonate back plate with a clear heavy-duty UV resistant polycarbonate light cover. The unit shall be equipped with two emergency heads with tool-less adjustable swivels (lamps of 12W or less). Units shall be NEMA-4X and NSF certified and specifically designed for high abuse areas, wet and cold weather locations, food processing plants as well in applications requiring a resistance to corrosive agents. The standard unit will come with stainless steel tamper-proof screws and bit.

The remote fixture shall be certified to CSA C22.2 No. 141-15. The head(s) shall be fully adjustable without tools and should be equipped with MR16 halogen lamp(s) of \_\_\_\_\_V \_\_\_\_\_W.

The remote fixtures shall be certified to CSA 22.2 No.141-15.

The remote unit shall be the Lumacell® model: \_\_\_\_\_.

### REPLACEMENT LAMPS: MQMP

MODEL	LAMP TYPE	VOLTAGE/WATTAGE
580.0074-L	MR16 flood	6V-6W
580.0079-L	MR16 flood	6V-10W
580.0080-L	MR16 flood	12V-12W
580.0070-L	MR16 flood	24V-12W
580.0097-L	MR16 LED	6V-4W
580.0093-L	MR16 LED	12V-4W
580.0104-L	MR16 LED	12V-5W
580.0106-L	MR16 LED	12V-6W
580.0098-L	MR16 LED	24V-4W

See the complete list p. 152-154.

### REPLACEMENT LAMPS: MQM

MODEL	LAMP TYPE	VOLTAGE/WATTAGE
580.0068-L	MR16 IR flood	12V-20W
580.0077-L	MR16 flood	24V-20W
580.0100-L	MR16 LED	24V-6W
580.0113-L	MR16 LED	120V-4W