

BE2 Series

200 A (Main Lugs) 600 V; Multiple Position – Horizontal 100 A per Position

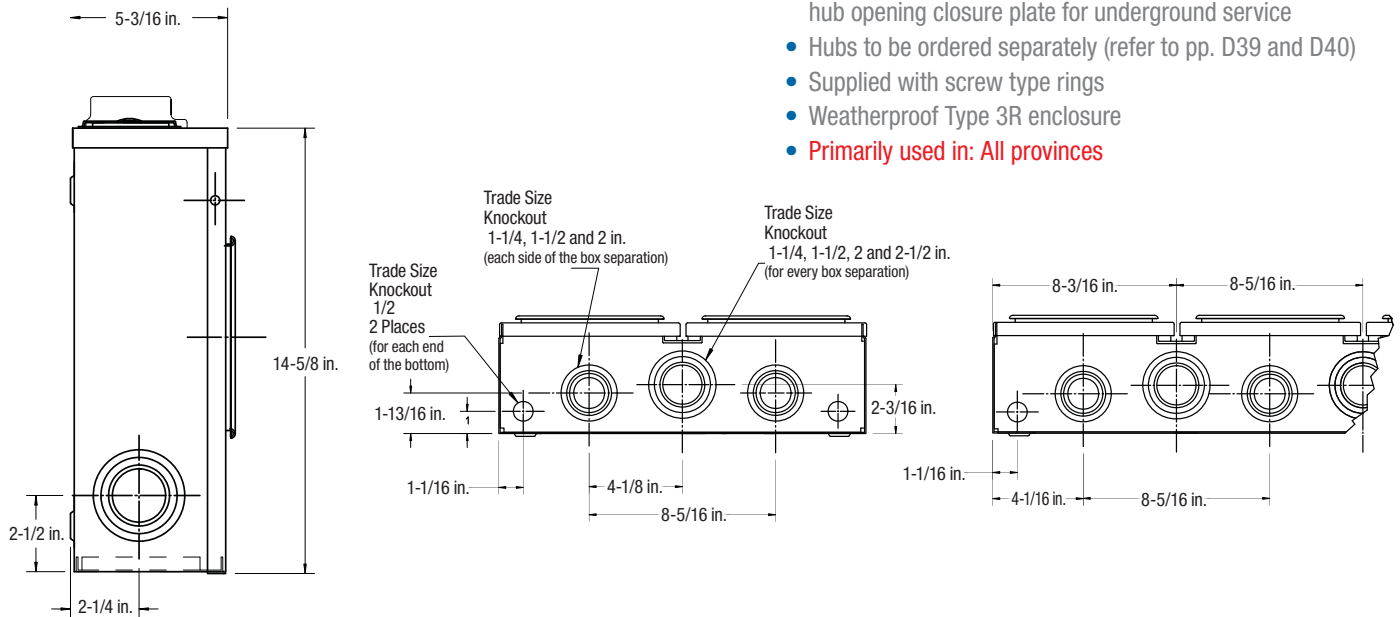


(BE6-V)

NOTE: Supply from an underground network often requires use of stud type connector. Consult your local utility.

Product Specifications

- Conductor range: Line: 6 AWG-250 kcmil, Load: 6-1/0 AWG
- Aluminum tunnel type connectors for both line and load sides
- Factory prebussed from main lugs to each position
- Combination overhead-underground supplied with hub opening closure plate for underground service
- Hubs to be ordered separately (refer to pp. D39 and D40)
- Supplied with screw type rings
- Weatherproof Type 3R enclosure
- **Primarily used in: All provinces**



 Approved for copper or aluminum

Cat. No.	Meter Position	Dimensions (in.)			Weight Each	
		H	W	D	lb.	kg
4 JAW						
LEFT-HAND ENTRY	RIGHT-HAND ENTRY					
BE2-V	BE2-VH	2 position	16-1/2	5-3/16	18	8.1
BE3-V	BE3-VH	3 position	24-13/16	5-3/16	26	11.8
BE4-V	BE4-VH	4 position	33-1/8	5-3/16	34	15.4
BE5-V	BE5-VH	5 position	41-7/16	5-3/16	42	19.0
BE6-V	BE6-VH	6 position	49-3/4	5-3/16	50	22.7
FACTORY-INSTALLED ACCESSORIES						
Include:	-5	5 th jaw, standard capacity, 9 o'clock position				



(BEC2-V)

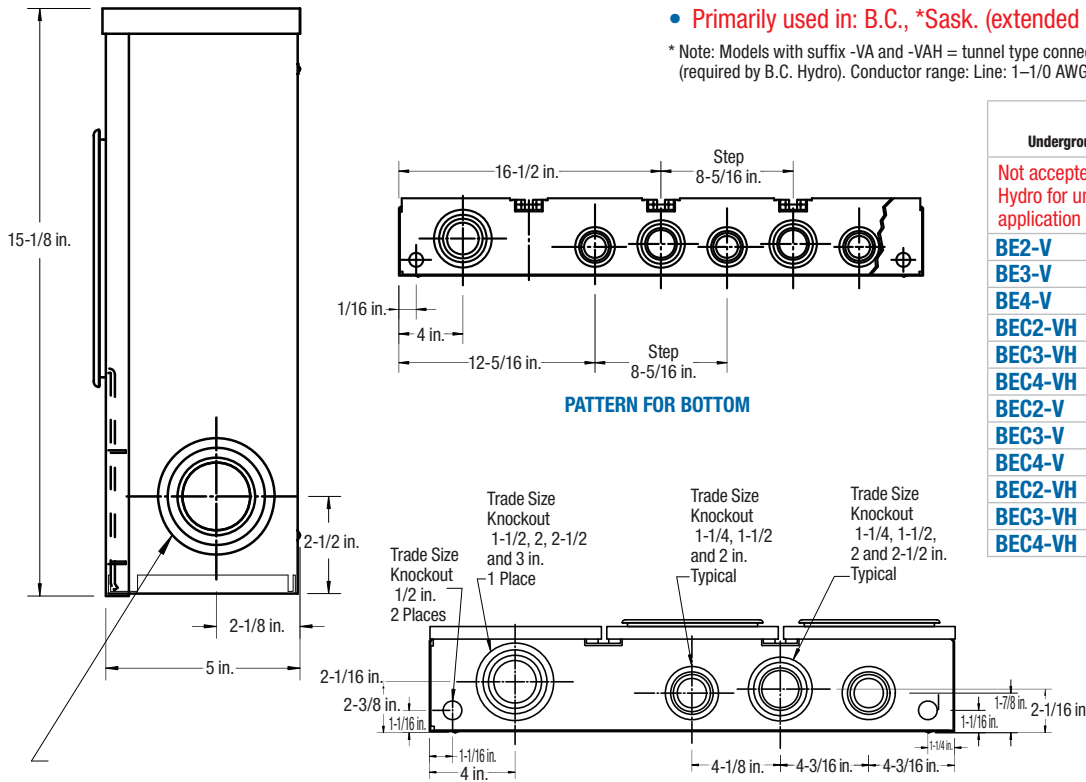
BEC Series

200 A (Main Lugs) 600 V; Multiple Position – 100 A per Position Stud Type

Product Specifications

- Conductor range: Line: 1/2 in. studs supplied, Load: 6-1/0 AWG
- Aluminum tunnel type connectors load side; stud 1/2 in. line side
- For underground service only
- Factory prebussed from main lugs to each position
- Supplied with screw type rings
- Weatherproof Type 3R enclosure
- **Primarily used in: B.C., *Sask. (extended enclosure), Man., Ont., Que.**

* Note: Models with suffix -VA and -VAH = tunnel type connectors on line side provided instead of studs (required by B.C. Hydro). Conductor range: Line: 1-1/0 AWG, Load: 6-1/0 AWG.



Cross Reference	
Underground meter required by BC Hydro Standard	
Not accepted by BC Hydro for underground application	Required by BC Hydro for underground applications
BE2-V	BE2-VA
BE3-V	BE3-VA
BE4-V	BE4-VA
BE2-VH	BE2-VAH
BE3-VH	BE3-VAH
BE4-VH	BE4-VAH
BE2-V	BE2-VA
BE3-V	BE3-VA
BE4-V	BE4-VA
BE2-VH	BE2-VAH
BE3-VH	BE3-VAH
BE4-VH	BE4-VAH



Approved for copper or aluminum

Cat. No.	Meter Position	Dimensions (in.)			Weight Each		
		H	W	D	lb.	kg	
4 JAW							
LEFT-HAND ENTRY	RIGHT-HAND ENTRY						
BE2-V	BE2-VH	2 position	15-1/8	24-3/16	5	27	12.2
BE2-VA*	BE2-VAH	2 position c/w connector (tunnel type)					
BE2-VE*	BE2-VEH	2 position extended enclosure	20-1/16				
BE3-V	BE3-VH	3 position	15-1/8	33-1/8		35	15.9
BE3-VA*	BE3-VAH	3 position c/w connector (tunnel type)	20-1/16				
BE3-VE*	—	3 position extended enclosure	15-1/8	41-7/16	43	19.5	
BE4-V	BE4-VH	4 position	20-1/16				
BE4-VA*	BE4-VAH	4 position c/w connector (tunnel type)	15-1/8	49-3/8	51	23.1	
BE4-VE*	—	4 position extended enclosure	20-1/16	57-5/8	59	26.8	
BE5-V	BE5-VH	5 position					
BE6-V	BE6-VH	6 position					