

CO1 Multi-Gang

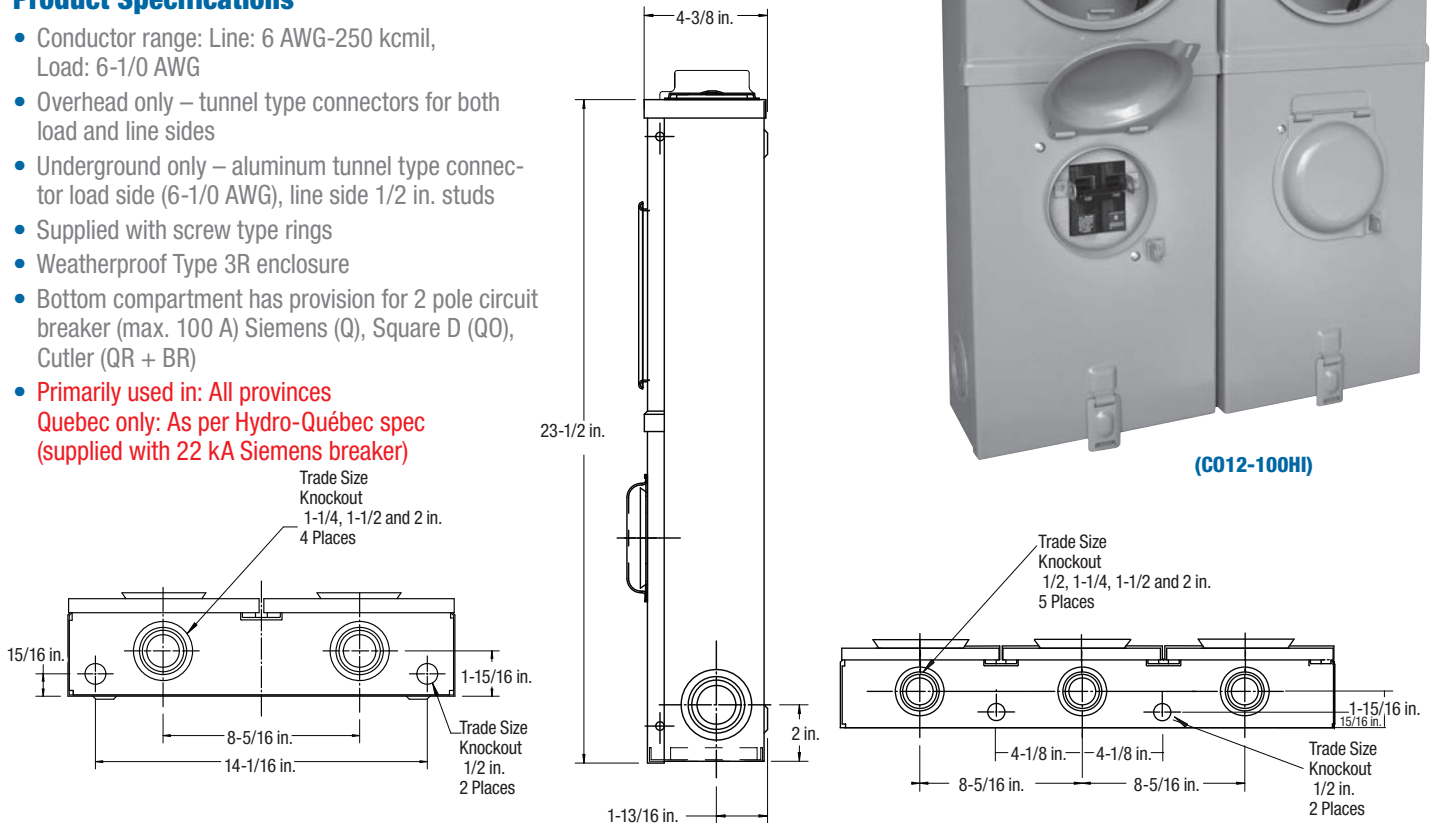
**200 A (Main lugs), 100 A per position 120/240 V;
Multi-Gang Combination with or without Breaker**

Product Specifications

- Conductor range: Line: 6 AWG-250 kcmil, Load: 6-1/0 AWG
- Overhead only – tunnel type connectors for both load and line sides
- Underground only – aluminum tunnel type connector load side (6-1/0 AWG), line side 1/2 in. studs
- Supplied with screw type rings
- Weatherproof Type 3R enclosure
- Bottom compartment has provision for 2 pole circuit breaker (max. 100 A) Siemens (Q), Square D (QO), Cutler (QR + BR)
- **Primarily used in: All provinces**
Quebec only: As per Hydro-Québec spec (supplied with 22 kA Siemens breaker)



(CO12-100HI)



SP Approved for copper or aluminum

Cat. No.	Type	Description	Position	Dimensions (in.)			Weight Each	
				H	W	D	lb.	kg
4 JAW								
CO12	Overhead	2 gang, provision for Siemens 2 x Q2100 100 A 2 pole 10 kA rated circuit breakers	2	23-1/2	16-1/2	4-3/8	30	13.60
CO12-100	Overhead	2 gang, c/w Siemens 2 x Q2100 100 A 2 pole 10 kA rated circuit breakers						
CO12-100HI	Overhead	2 gang, c/w Siemens 2 x Q2100H 100 A 2 pole 22 kA rated circuit breakers						
CO12-100HI-U	Underground	2 gang with blank compartment, c/w Siemens 2 x Q2100H 100 A 2 pole 22 kA rated circuit breakers						
CO12-SD	Overhead	2 gang, provision for Square D type "QO" 2 x 100 A 2 pole 10 kA rated circuit breakers						
CO12-SD-U	Underground	2 gang with blank compartment, provision for Square D type "QO" 2 x 100 A 2 pole 10 kA rated circuit breakers	3	23-1/2	24-3/4	4-3/8	45	20.41
CO13	Overhead	3 gang, provision for Siemens 3 x Q2100 100 A 2 pole 10 kA rated circuit breakers						
CO13-100	Overhead	3 gang, c/w Siemens 3 x Q2100 100 A 2 pole 10 kA rated circuit breakers						
CO13-100HI	Overhead	3 gang, c/w Siemens 3 x Q2100H 100 A 2 pole 22 kA rated circuit breakers						
CO13-100HI-U	Underground	3 gang with blank compartment, c/w Siemens 3 x Q2100H 100 A 2 pole 22 kA rated circuit breakers						
CO13-SD	Overhead	3 gang, provision for Square D type "QO" 3 x 100 A 2 pole 10 kA rated circuit breakers	4	23-1/2	33-1/8	4-3/8	60	27.21
CO13-SD-U	Underground	3 gang with blank compartment, provision for Square D type "QO" 3 x 100 A 2 pole 10 kA rated circuit breakers						
CO14	Overhead	4 gang, provision for Siemens 4 x Q2100 100 A 2 pole 10 kA rated circuit breakers						
CO14-100	Overhead	4 gang, c/w Siemens 4 x Q2100 100 A 2 pole 10 kA rated circuit breakers						
CO14-100HI	Overhead	4 gang, c/w Siemens 4 x Q2100H 100 A 2 pole 22 kA rated circuit breakers						
CO14-100HI-U	Underground	4 gang with blank compartment, c/w Siemens 4 x Q2100H 100 A 2 pole 22 kA rated circuit breakers	4	23-1/2	41-7/16	4-3/8	60	27.21
CO14-SD	Overhead	4 gang, provision for Square D type "QO" 4 x 100 A 2 pole 10 kA rated circuit breakers						
CO14-SD-U	Underground	4 gang with blank compartment, provision for Square D type "QO" 4 x 100 A 2 pole 10 kA rated circuit breakers						

Note: For underground version, add suffix -U.