



Premier™ Series

Thermoplastic Combination Unit

Type: _____
 Project/Location: _____
 Contractor: _____
 Prepared By: _____
 Date: _____
 Model No.: _____

FEATURES

The **Premier™ Series** of combination units (emergency light battery unit with an Exit Sign) are designed with aesthetics, ease of installation and performance in mind.

- One-pack combination of battery unit and Exit Sign, a compact and contemporary design
- Durable injection-molded thermoplastic housing with push-to-snap design
- Available in single or double face configurations both with means for ceiling mounting
- Comes with the **Emergi-Lite® Premier™ EZ2** canopy and field-selectable snap chevrons for quick and easy installation
- Exit Sign module illuminated by long-life **ALINGAP** red LEDs
- Two MR16 halogen lamps, shielded by a clear polycarbonate cover
- Optional MR16 LED lamps with life expectancy 50,000+ hours
- Sealed, maintenance-free, Lead-Calcium or Nickel-Metal-Hydride batteries
- Remote load capacity up to 92W
- Dual voltage input: 120/347VAC or 120/277VAC.
- Optional vandal-resistant shield with tamper-proof screws
- Certified CSA C22.2 No.141
- Optional advance diagnostics circuitry available



TYPICAL SPECIFICATIONS

Supply and install the **Emergi-Lite® Premier™ Series** combination emergency light battery unit and Exit Sign. The standard equipment shall operate with a dual voltage input of 120/347VAC. The unit shall be suitable for wall or ceiling mount.

The unit frame and face plates shall be made of injection-molded durable high-impact thermoplastic and come standard with snap in/out chevrons. No screws are necessary to hold the faceplate or backplate to the housing. The one-piece thermoplastic frame is molded in white (optional black). The faceplates shall feature a uniformly illuminated legend. The light source shall be light emitting diodes (LED) and shall provide illumination in normal and emergency operation and shall be mounted inside the combination housing. Red LED technology shall be **ALINGAP**. An LED-sensitive diffuser shall be mounted behind the legend to provide the 6" high by 3/4" stroke letters with even illumination.

The unit shall be equipped with two emergency heads with tool-less adjustable swivels (lamps of 12W or less) and long-life MR-16 type lamps of ___ V and ___ W. Each lamp shall be protected by a snap-on, shock-absorbent, transparent polycarbonate cover.



The unit shall be equipped with a test switch and a green pilot light, located on the face plate above the EXIT legend. The battery charger shall be driven by a micro-controller. All electronic circuitry (charger, LED driver, LED's) shall be installed on a single printed circuit board PCB.

The unit equipped with self-testing / self-diagnostic features shall automatically self test for one minute every 30 days, 10 minutes in the 6th month and 30 minutes annually. When a fault is detected, the bi-color pilot light shall turn from green to red and shall flash, identifying the source of the failure: battery, charger circuitry, lamp load, LED strip. The Exit Sign module shall be CSA-C860 approved

The combo unit shall be **Emergi-Lite®** Model: _____ .

WIRE GUARDS

460.0078-E	Wall Mount
------------	------------

PREMIER™ FAMILY	
	
Premier™ Exit Series	Premier™ Battery Series
P.55	P.116-117

POWER CONSUMPTION

MODEL	AC SPECS		WATTAGE CAPACITY				
			30MIN	1H00	1H30	2H00	4H00
Exit Sign Module	120/347VAC	Less than 2W	-	-	-	-	-
L2		0.11/0.04 A	20	15	12	8	-
L5			50	30	24	16	8
L5A			50	30	24	16	8
H5A		0.22/0.08 A	50	36	24	18	9
H10A			100	72	48	36	18

Type: _____
 Project/Location: _____
 Contractor: _____
 Prepared By: _____
 Date: _____
 Model No.: _____

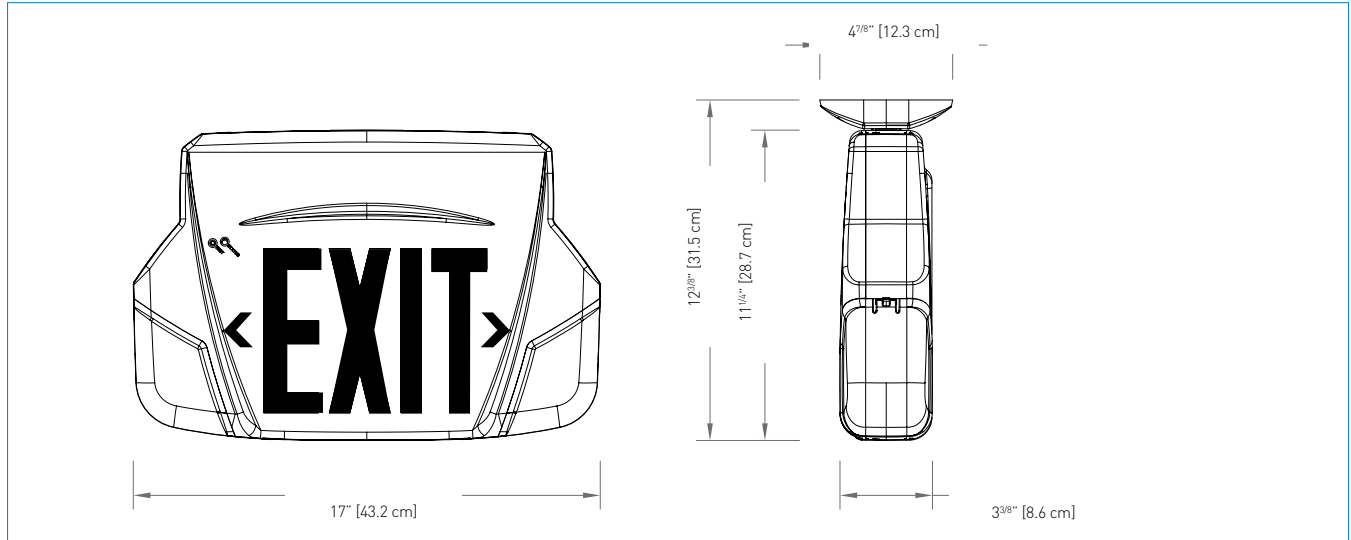
Premier™ Series

Thermoplastic
Combination Unit



DIMENSIONS

Dimensions are approximate and subject to change.



ORDERING INFORMATION

SERIES	COLOUR	VOLTAGE	POWERPACK	LEGEND	OPTIONS	# OF HEADS	HEAD STYLE/WATTAGE
PRE1 = single face ceiling or wall mount PRE2 = double face ceiling mount PRE1N = single face wall mount (less canopy) PREU = universal, 2 faces backplate and canopy	B = black W = factory white	3 = 120/347VAC 2 = 120/277VAC	-L2 = 6V-20W Lead cal -L5 = 6V-50W Lead cal -L5A = 12V-50W Lead cal -H5A = 12V-50W NiMH -H10A = 12V-100W NiMH	Blank = red legend G = green legend	Blank = no options U = auto-diagnostics UD = auto-diagnostics, non-audible NEX = NEXUS® system interface* NEXRF = wireless NEXUS® system interface* BA = brushed aluminum exit stencil D3 = time delay (15 minutes) -TP = tamper-proof screws** -VR = polycarbonate shield with tamper-proof screws**	/0 = no heads /2 = two heads	LA = MR16 LED, 6V-4W LG = MR16 LED, 12V-4W LI = MR16 LED, 12V-5W LJ = MR16 LED, 12V-6W MI = MR16 halogen, 6V-6W MJ = MR16 halogen, 6V-10W MO = MR16 halogen, 12V-10W MK = MR16 halogen, 12V-12W MG = MR16 halogen, 12V-20W

* Not all options available with NEXUS® system. Please consult your sales representative
 ** 091957-E= tamper-proof bit (sold separately)
 ** VR is not available with PREU

EXAMPLE: PRE1W3-L2/2MI