

Type: _____
 Project/Location: _____
 Contractor: _____
 Prepared By: _____
 Date: _____
 Model No.: _____

RM18P Series

Compact Emergency Light Units



FEATURES

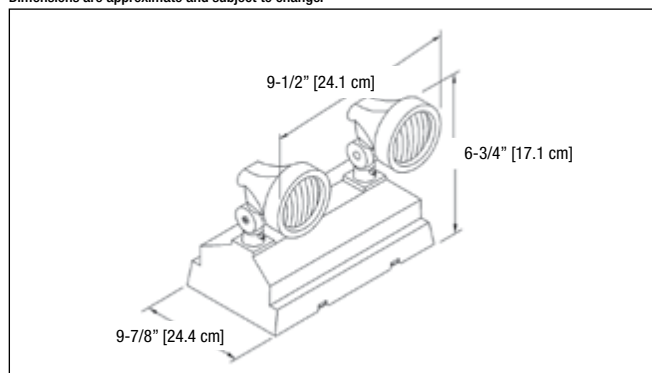
- Compact emergency lighting unit available in factory white
- Fully automatic, solid state, voltage sensitive charger with test switch and AC-on pilot light
- Sealed dust-proof transfer relay circuit and low voltage disconnect
- Long-life, maintenance-free sealed Lead-Calcium battery
- Housing and heads constructed of injection moulded, high impact, corrosion resistant thermoplastic
- 120VAC standard input
- 60 minutes run time
- Meets or exceeds CSA 22.2 No. 141-15

See warranty details at: www.tnb.ca/en/brands/lumacell



DIMENSIONS

Dimensions are approximate and subject to change.



TYPICAL SPECIFICATIONS

The contractor will install the Lumacell® RM18P Series compact emergency lighting unit. The unit housing shall be made of injection moulded, high impact, corrosion resistant thermo-plastic. The unit dimensions including the emergency heads shall be less than 24.1cm x 17.1cm x 12.4cm. The unit shall be rated 120VAC 60Hz input and 6VDC nominal output. The unit shall contain a fully automatic, solid-state battery charger with test switch and AC-on pilot light. The charger shall be computer tested and shall contain low-voltage disconnect circuitry to protect the battery from deep discharge. The battery shall be maintenance-free, sealed lead-calcium and shall supply the emergency heads with power for minimum 60 minutes during an AC power failure.

The unit shall include two emergency heads built of flame-retardant thermo-plastic and shall include two mini-tungsten 6V-9W lamps.

The unit shall be CSA 22.2 No. 141-15 certified.

The unit shall be Lumacell® Model: _____.

WIRE GUARDS

460.0082-L	Wall Mount or Ceiling Mount
------------	-----------------------------

REPLACEMENT LAMPS

ORDERING CODE	LAMP TYPE	VOLTAGE/WATTAGE
570.0016-L	Mini tungsten	6V-9W

ORDERING INFORMATION

SERIES	UNIT CAPACITY	LAMPS	VOLTAGE
RM= compact plastic	18P= 18W	Blank= 6V-9W	Blank= 120VAC input

EXAMPLE: RM18P