

P14BR

LED BACKLIT PANEL

3 CCT AND 3 POWER SELECTABLE



P14BR LED panel lights utilize next-generation back-lit technology, ensuring high performance, superior uniformity, and reduced glare. Featuring a 120-347V driver and the versatility to change the colour temperature and lumen output with a simple switch, the P14BR series is the premier and cost-effective solution for reducing stocking inventory. These commercial grade LED panels lights are the ideal replacement for traditional fluorescent fixtures in offices, schools, and commercial buildings.

FEATURES & SPECIFICATIONS

CONSTRUCTION

Housing and finishing

- Frame is made of white aluminum alloy

Mounting

- Recessed, suspended, surface

SPECIFICATIONS

Driver

120-347V electronic driver
 with 0-10V dimming standard

Beam angle

- 1'X4': V: 110° / H: 110°
- 2'X2': V: 110° / H: 110°
- 2'X4': V: 110° / H: 110°

Ambient temperature

- -20°C ~ +35°C

COMPLIANCE

- cULus
- Suitable for damp location
- IC rated
- Meets requirements of ICES-005 issue 5 for Class B products
- Conforms to:
 - STANDARD METHOD OF TEST FOR SURFACE BURNING: CAN/ULC-S102.2-10
 - STANDARD METHOD OF FIRE TEST OF LIGHT DIFFUSERS AND LENSES: CAN/ULC-S102.3-07

OVERVIEW			
LIGHT SOURCE	LED	COLOR TEMPERATURE (K)	3 500/4 000/5 000 4000
WATTS (W)	20/25/30 20/30/40 30/35/40 30/40/50 40,50	CRI	82+
LUMEN OUTPUT (LM)	2 400 - 5 600	NET WEIGHT (LBS)	1'X4': 4.6, 2'X2': 4.4, 2'X4': 8.7
EFFICIENCY (LM/W)	110-137		

LED

DAMP LOCATION

DIMMABLE

ICES 005

CCT+ 3CCT SELECTABLE

W+ POWER SELECTABLE

P14BR

QUICK SHIP ORDERING GUIDE¹



PART NUMBER	DLC UNIQUE ID	WATTS [W]	VOLTS [VAC]	COLOR TEMP. [K] ²	LUMEN OUTPUT [LM] ³	EFFICIENCY [LM/W]	CRI	LIFE L70 [HRS] ⁴	DIMMING [YES/NO]	POWER FACTOR	THD [%]	CASE QTY [MASTER]
DLC Standard												
1'x4'												
P14BR-1LA1-32/40K	PLD5999G2BNV	40	120-347	4 000	4 500	113	≥82	50 000	Yes	0.9	<25	2
P14BR-1LPS-32/3C	PLSNZH08KCFT	20/30/40	120-347	3 500/4 000/5 000	2 500/3 600/4 500	110	≥82	50 000	Yes	0.9	<25	2
2'x2'												
P14BR-2LA1-32/40K	PLNMHEVDAZBE	40	120-347	4 000	4 500	113	≥82	50 000	Yes	0.9	<25	2
P14BR-2LPS-32/3C	PLJJC5L895FRG	20/30/40	120-347	3 500/4 000/5 000	2 500/3 600/4 500	110	≥82	50 000	Yes	0.9	<25	2
2'x4'												
P14BR-4LA1-32/40K	PLSNZH08KCFT	50	120-347	4 000	5 600	112	≥82	50 000	Yes	0.9	<25	2
P14BR-4LPS-32/3C	PL5B1V0G8BF3	30/40/50	120-347	3 500/4 000/5 000	3 700/4 700/5 600	110	≥82	50 000	Yes	0.9	<25	2
DLC Premium												
1'x4'												
P14BR-1LPSP-32/3C	PCEH5GGN	20/25/30	120-347	3 500/4 000/5 000	2 700/3 300/3 800	127	≥82	50 000	Yes	0.9	<25	2
2'x2'												
P14BR-2LPSP-32/3C	PT940C0Z	20/25/30	120-347	3 500/4 000/5 000	2 700/3 300/3 800	127	≥82	50 000	Yes	0.9	<25	2
2'x4'												
P14BR-4LPSP-32/3C	P9B7030H	30/35/40	120-347	3 500/4 000/5 000	4 100/4 600/5 100	127	≥82	50 000	Yes	0.9	<25	2

¹ QUICK SHIP: Product availability is subject to change without notice. Please contact your AimLite customer service representative to confirm inventory levels at time of order.

² Typical color temperature range: +/- 5%.

³ Lumen values are derived from photometric testing. Initial lumens range: +/- 10%.

⁴ Life hours are derived from IESNA LM-80-08 testing report and projected per IESNA TM-21-11 extrapolations.

LUMEN SPECIFICATION TABLE

PART NUMBER	WATTS [W]	3 500 K		4 000 K		5 000 K	
		LUMEN OUTPUT [LM]	EFFICIENCY [LM/W]	LUMEN OUTPUT [LM]	EFFICIENCY [LM/W]	LUMEN OUTPUT [LM]	EFFICIENCY [LM/W]
DLC Standard							
P14BR-1LPS-32/3C	20	2400	120	2500	125	2500	125
	30	3500	117	3600	120	3600	120
	40	4400	110	4500	113	4500	113
P14BR-2LPS-32/3C	20	2400	120	2500	125	2500	125
	30	3500	117	3600	120	3600	120
	40	4400	110	4500	113	4500	113
P14BR-4LPS-32/3C	30	3600	120	3700	123	3700	123
	40	4600	115	4700	118	4700	118
	50	5500	110	5600	112	5600	112
DLC Premium							
P14BR-1LPSP-32/3C	20	2600	130	2700	135	2700	135
	25	3200	128	3300	132	3300	132
	30	3750	125	3800	127	3800	127
P14BR-2LPSP-32/3C	20	2600	130	2700	135	2700	135
	25	3200	128	3300	132	3300	132
	30	3750	125	3800	127	3800	127
P14BR-4LPSP-32/3C	30	4000	133	4100	137	4100	137
	35	4500	129	4600	131	4600	131
	40	5000	125	5100	128	5100	128

DEFAULT PROGRAMMING

P14BR-1LPS-32/3C - 40W / 4000K

P14BR-2LPS-32/3C - 40W / 4000K

P14BR-4LPS-32/3C - 50W / 4000K

P14BR-1LPSP-32/3C - 30W / 4000K

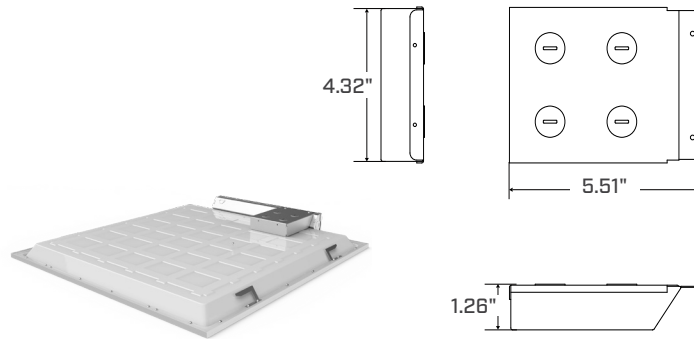
P14BR-2LPSP-32/3C - 30W / 4000K

P14BR-4LPSP-32/3C - 40W / 4000K

P14BR

ACCESSORIES (ORDER SEPARATELY)

Order code	TYPE	COMPATIBLE WITH
PF-DWK-1X4-A	Drywall Kit	1X4
PF-DWK-2X2-A	Drywall Kit	2X2
PF-DWK-2X4-A	Drywall Kit	2X4
CAS973-1	Surface Mount Kit	1X4
CAS973-2	Surface Mount Kit	2X2
CAS973-3	Surface Mount Kit	2X4
KIT-SUS-CH	Suspension Kit	1X4, 2X2, 2X4
JB024-BP	Junction box	1X4, 2X2, 2X4



COMPATIBLE DIMMERS

BRAND	MODEL NUMBER
Lutron	DVSTV
	DVSTV-453PH-WH
	DVTV
	DVSCTV
	NFTV
Leviton	IP710-DLZ
	IP710-LFZ

NOTE: The above table shows dimmers that have been tested and have demonstrated proper operation under normal conditions. Each installation being unique, various factors such as load, common neutrals or other electrical products on the circuit can, in certain instances, cause variance in system performance. Read and comply to the dimmer installation instructions. Consult dimming system manufacturer for additional support in operation. AimLite recommends to use dimmers designed to work with LED products. Older dimmers designed for incandescent products may cause erratic operation. Some dimmers may require more than one product for stable operation. The maximum number of products is determined by the dimmer wattage rating with LEDs. Be careful, these dimmers have different ratings depending on the product type. Again, refer to the dimmer installation instructions.

DIMENSIONS

