

QUICK SHIP AND TECHNICAL SPECIFICATION TABLE  <sup>1</sup>

Order code	Model number	DLC unique ID	Watts (W)	Volts (VAC)	Color temp. (K) <sup>2</sup>	Lumen output (lm) <sup>3</sup>	Efficiency (lm/W)	CRI	Life L70 (hrs) <sup>4</sup>	Dimming (Yes/No)	Power factor	THD (%)	Case qty (master)
<b>DLC Standard</b>													
<b>1'X4'</b>													
68328	L3PNB-1LS1-Q/40K	PLVXR1DUSSH2	40	120-347	4 000	4 500	113	>82	50 000	Yes	0.9	<25	2
68995 <sup>5</sup>	L3PNB-1LPS-Q/3C DP	PLS7UQALM10Z	20/30/40	120-347	3 500 / 4 000 / 5 000	2 500/3 600/4 500	110	>82	50 000	Yes	0.9	<25	2
<b>2'X2'</b>													
68329	L3PNB-2LS1-Q/40K	PL9ZGWJTR5JM	40	120-347	4 000	4 500	113	>82	50 000	Yes	0.9	<25	2
68332	L3PNB-2LPS-Q/3C	PLYFCY4BLFCC	20/30/40	120-347	3 500 / 4 000 / 5 000	2 500/3 600/4 500	110	>82	50 000	Yes	0.9	<25	2
<b>2'X4'</b>													
68330	L3PNB-4LS1-Q/40K	PLY7U6SGIKQH	50	120-347	4 000	5 600	112	>82	50 000	Yes	0.9	<25	2
68333	L3PNB-4LPS-Q/3C	PLVCS12FNTEF	30/40/50	120-347	3 500 / 4 000 / 5 000	3 700/4 700/5 600	110	>82	50 000	Yes	0.9	<25	2
<b>DLC Premium</b>													
<b>1'X4'</b>													
68599	L3PNB-1LPSP-Q/3C	PLI4EXA6KE04	20/25/30	120-347	3 500/4 000/5 000	2 700/3 300/3 800	127	≥82	50 000	Yes	0.9	20	2
<b>2'X2'</b>													
68600	L3PNB-2LPSP-Q/3C	PLYXAPSQK875	20/25/30	120-347	3 500/4 000/5 000	2 700/3 300/3 800	127	≥82	50 000	Yes	0.9	20	2
<b>2'X4'</b>													
69000 <sup>5</sup>	L3PNB-4LPSP-Q/3C DP	PLFT88U6HURK	30/35/40	120-347	3 500/4 000/5 000	4 100/4 600/5 100	127	≥82	50 000	Yes	0.9	20	2

<sup>1</sup> **QUICK SHIP:** Product availability is subject to change without notice. Please contact your Stanpro customer service representative to confirm inventory levels at time of order.

<sup>2</sup> Typical color temperature range: +/- 5 %.

<sup>3</sup> Lumen values are derived from photometric testing. Initial lumens range: +/- 10 %.

<sup>4</sup> Life hours are derived from IESNA LM-80-08 testing report and projected per IESNA TM-21-11 extrapolations.

<sup>5</sup> Standard packaging is 2 panels per master case without individual box.

LUMEN SPECIFICATION TABLE

Order code	Model number	Watts (W)	3 500 K		4 000 K		5 000 K	
			Lumen output (lm)	Efficiency (lm/w)	Lumen output (lm)	Efficiency (lm/w)	Lumen output (lm)	Efficiency (lm/w)
<b>DLC Standard</b>								
68995	L3PNB-1LPS-Q/3C DP	20	2400	120	2500	125	2500	125
		30	3500	117	3600	120	3600	120
		40	4400	110	4500	113	4500	113
68332	L3PNB-2LPS-Q/3C	20	2400	120	2500	125	2500	125
		30	3500	117	3600	120	3600	120
		40	4400	110	4500	113	4500	113
68333	L3PNB-4LPS-Q/3C	30	3600	120	3700	123	3700	123
		40	4600	115	4700	118	4700	118
		50	5500	110	5600	112	5600	112
<b>DLC Premium</b>								
68599	L3PNB-1LPSP-Q/3C	20	2600	130	2700	135	2700	135
		25	3200	128	3300	132	3300	132
		30	3750	125	3800	127	3800	127
68600	L3PNB-2LPSP-Q/3C	20	2600	130	2700	135	2700	135
		25	3200	128	3300	132	3300	132
		30	3750	125	3800	127	3800	127
69000	L3PNB-1LPS-Q/3C DP	30	4000	133	4100	137	4100	137
		35	4500	129	4600	131	4600	131
		40	5000	125	5100	128	5100	128

■ DEFAULT PROGRAMMING

- 68995 - 40W / 4000K
- 68332 - 40W / 4000K
- 68333 - 50W / 4000K
- 68599 - 30W / 4000K
- 68600 - 30W / 4000K
- 69000 - 40W / 4000K

Data is based upon tests performed in a controlled environment. Actual performance can vary depending on operating conditions. All products are subject to change or may be discontinued any time without notice.

## ORDERING GUIDE

Series	Size	Lamp type	Lumen Package (W) <sup>1</sup>	Volts (V)	Color Temperature (K) <sup>3</sup>	Options
L3PNB	1 - 1'X4' 2 - 2'X2'	L	S1 - 40 PS - 20/30/40 PSP - 20/25/30	Q - 100-347 W - 100 - 277 <sup>2</sup>	40K - 4 000 3C - 3 500/4 000/5 000	ARTXXX - Artwork <sup>4</sup> DL - Emergency back up <sup>5</sup> EL - LINK <sup>5 6</sup>
	4 - 2'X4'		S1- 50 PS - 30/40/50 PSP - 30/35/40			

<sup>1</sup> See IES files or lumen specification table for more details.

<sup>2</sup> Offered only with DL option.

<sup>3</sup> 40K offered only with S1 lumen package, 3C offered with PS and PSP lumen packages.

<sup>4</sup> Customer to supply the artwork, which is a high resolution image of at least 300 DPI or EPS (Vector format).

<sup>5</sup> Suspended and surface mounting is not available when DL and EL options are selected.

<sup>6</sup> Emergency power conversion module.

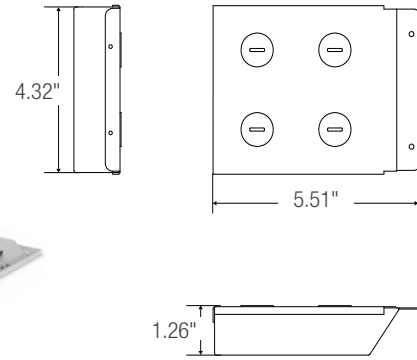
## LINK TECHNICAL SPECIFICATIONS TABLE

Lumen package	Watts (W)	LINK Watts (W)	3 500 K	4 000 K	5 000 K	
			LINK lumen output (lm)	LINK lumen output (lm)	LINK lumen output (lm)	
<b>1'X4'</b>						
1LS1	40	11	-	1 035	-	
	20		1 067	1 111	1 111	
1LPS	30		979	1 007	1 007	
	40		1 012	1 035	1 035	
1LPSP	20		1 238	1 286	1 286	
	25		1 208	1 245	1 245	
	30		1 179	1 195	1 195	
<b>2'X2'</b>						
2LS1	40		11	-	1 035	-
	20			1 067	1 111	1 111
2LPS	30			1 077	1 108	1 108
	40			1 011	1 034	1 034
2LPSP	20	1 182		1 227	1 227	
	25	1 153		1 189	1 189	
	30	1 126		1 141	1 141	
<b>2'X4'</b>						
4LS1	40	11		-	1 028	-
	20			1 108	1 138	1 138
4LPS	30			1 057	1 080	1 080
	40			1 009	1 028	1 028
4LPSP	20		1 164	1 194	1 194	
	25		1 065	1 089	1 089	
	30		1 143	1 166	1 166	

Data is based upon tests performed in a controlled environment. Actual performance can vary depending on operating conditions. All products are subject to change or may be discontinued any time without notice.

## ACCESSORIES (ORDER SEPARATELY)

Order code	Type	Compatible with
63490	Drywall Kit	1X4
67164	Drywall Kit	2X2
63491	Drywall Kit	2X4
68455	Surface Mount Kit	1X4
68456	Surface Mount Kit	2X2
68457	Surface Mount Kit	2X4
68458	Suspension Kit	1X4, 2X2, 2X4
68523	Junction Box	1x4, 2x2, 2x4

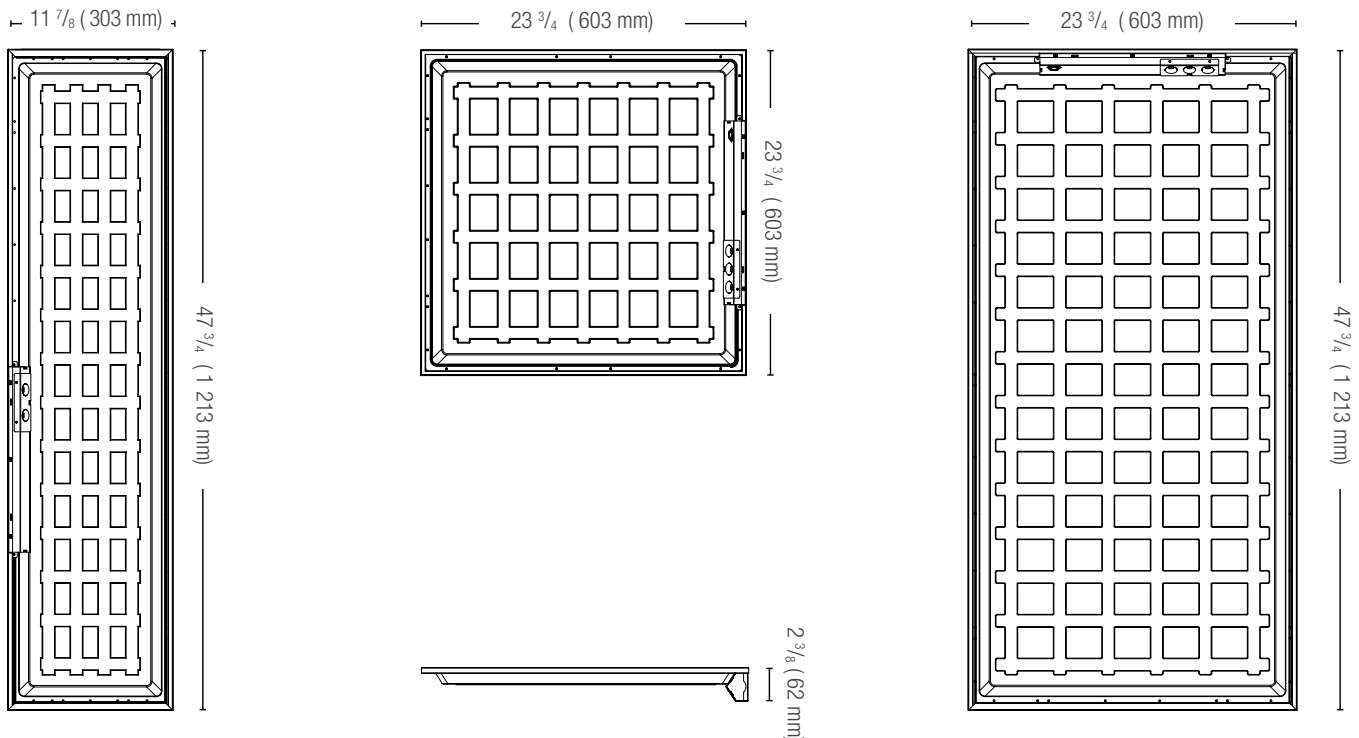


## COMPATIBLE DIMMERS

Brand	Model Number
Lutron	DVSTV
	DVSTV-453PH-WH
	DVTV
	DVSCVT
	NFTV
Leviton	NTSTV-DV
	IP710-DLZ
	IP710-LFZ

NOTE: The above table shows dimmers that have been tested and have demonstrated proper operation under normal conditions. Each installation being unique, various factors such as load, common neutrals or other electrical products on the circuit can, in certain instances, cause variance in system performance. Read and comply to the dimmer installation instructions. Consult dimming system manufacturer for additional support in operation. Stanpro recommends to use dimmers designed to work with LED products. Older dimmers designed for incandescent products may cause erratic operation. Some dimmers may require more than one product for stable operation. The maximum number of products is determined by the dimmer wattage rating with LEDs. Be careful, these dimmers have different ratings depending on the product type. Again, refer to the dimmer installation instructions.

## DIMENSIONS



Data is based upon tests performed in a controlled environment. Actual performance can vary depending on operating conditions. All products are subject to change or may be discontinued any time without notice.