

Project: \_\_\_\_\_

Type: \_\_\_\_\_

Drawn by: \_\_\_\_\_ Catalogue #: \_\_\_\_\_

Date: \_\_\_\_\_

## Individual Spec Sheet

# LED MOTION SENSOR DISK LIGHT

## INTEGRATED PIR CEILING LUMINAIRE

### ORDERING INFORMATION

**Order code:** 68378  
**Model number:** CLDKMS7-R14W-A/40WH  
**UPC:** 069549010659  
**Case quantity:** 24

### PHYSICAL DATA

**Dimensions in. (mm):** 7" 7/2 (190 mm)  
**Shape:** Round  
**Type:** Ceiling  
**Housing material:** Steel  
**Finish:** White  
**Sensor type:** Passive Infrared  
**Lens material:** PC  
**Lens finish:** Frosted  
**Mounting:** Surface mount

### PERFORMANCE DATA

**Watts (W):** 14  
**Volts (VAC):** 120  
**Colour temp. (K):<sup>1</sup>** 4 000  
**Lumen output (lm):<sup>2</sup>** 1 000  
**Lumen per Watts (lm/W):** 70  
**CRI:** 80+  
**Life L70 (h):<sup>3</sup>** 50 000  
**Beam angle (°):** 100  
**Frequency (Hz):** 60  
**Operating temp. range:** - 20 °C à 40 °C (- 4 °F à 104 °F)  
**Dimmable:** No

<sup>1</sup> Typical colour temperature range: +/- 5 %

<sup>2</sup> Lumens values from Energy Star reported data

<sup>3</sup> Life hours are derived from IESNA LM80-08 testing report and projected per IESNA TM-21-11 extrapolations



quick  
ship



LED  
fixture



wet  
location

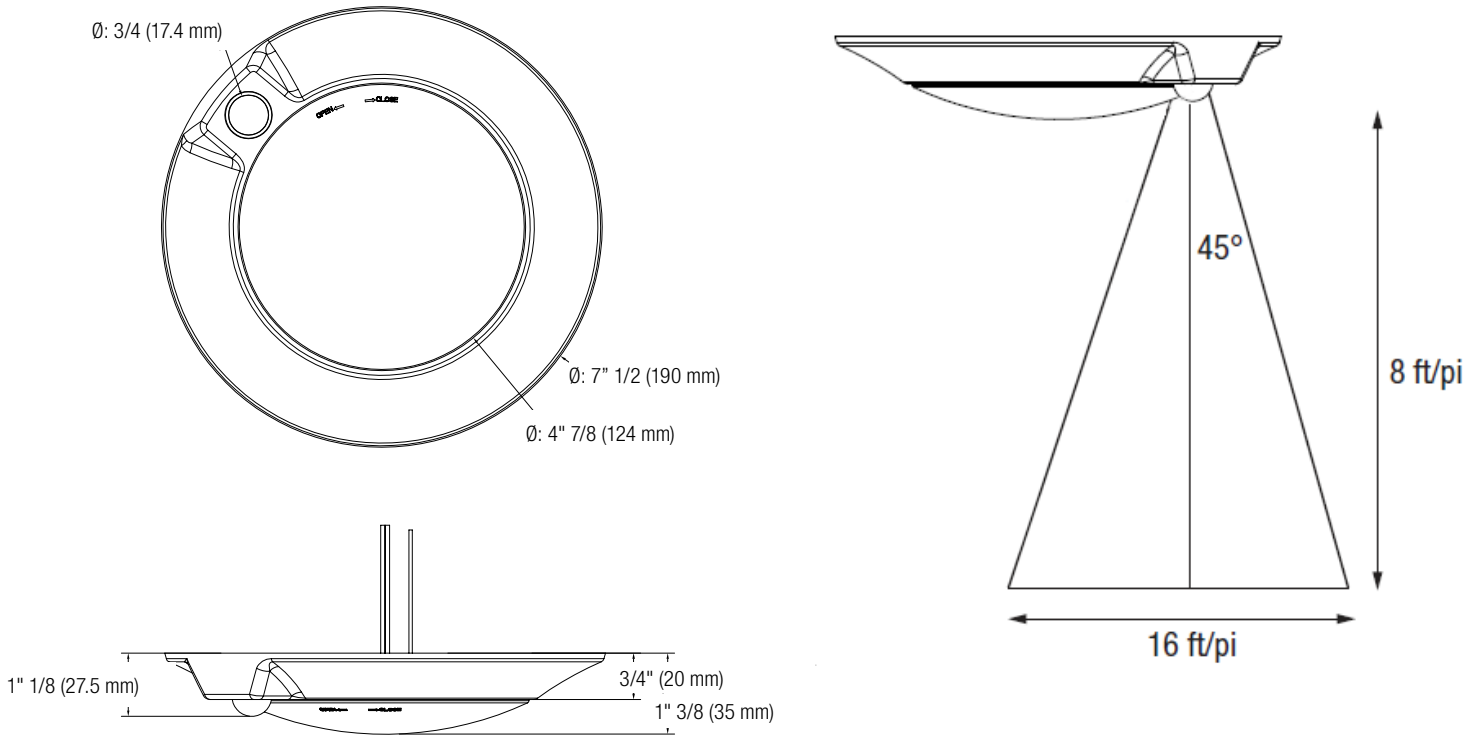


ICES  
005



This lighting equipment complies with Canadian standard ICES-005 for use in residential applications.  
Data is based upon tests performed in a controlled environment.  
Actual performance can vary depending on operating conditions. Specifications are subject to change without notice.

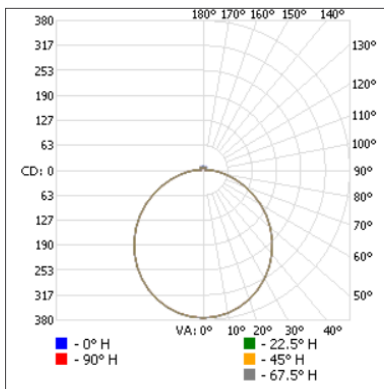
**DIMENSIONS**



**PHOTOMETRIC DATA<sup>1</sup>**

68378 • CLDKMS7-R14W-A/40WH • 1 183.6 lm

**Polar candela distribution**



**Zonal lumen summary**

| Zone   | Lumens  | % Fixture |
|--------|---------|-----------|
| 0-30   | 290.4   | 24.5      |
| 0-40   | 476.7   | 40.3      |
| 0-60   | 849.9   | 71.8      |
| 60-90  | 275.8   | 23.3      |
| 70-100 | 151.2   | 12.8      |
| 90-120 | 27.6    | 2.3       |
| 0-90   | 1 125.7 | 95.1      |
| 90-180 | 57.9    | 4.9       |
| 0-180  | 1 183.6 | 100       |

**Illuminance at a distance**

| Center beam fc | Beam width  |
|----------------|-------------|
| 1.7'           | 5.3' 5.3'   |
| 3.3'           | 10.3' 10.3' |
| 5.0'           | 15.6' 15.5' |
| 6.7'           | 20.9' 20.8' |
| 8.3'           | 25.8' 25.8' |
| 10.0'          | 31.1' 31.1' |

■ Vert. spread: 114.6°  
■ Horiz. spread: 114.5°

<sup>1</sup> Complete IES files available on our website.

| Qty | Description | Price |
|-----|-------------|-------|
|     |             |       |

I accept the specifications of the luminaire configuration mentioned above.

Name: \_\_\_\_\_  
 Company: \_\_\_\_\_  
 Signature: \_\_\_\_\_

Date: \_\_\_\_\_

Data is based upon tests performed in a controlled environment. Actual performance can vary depending on operating conditions. All products are subject to change or may be discontinued any time without notice.