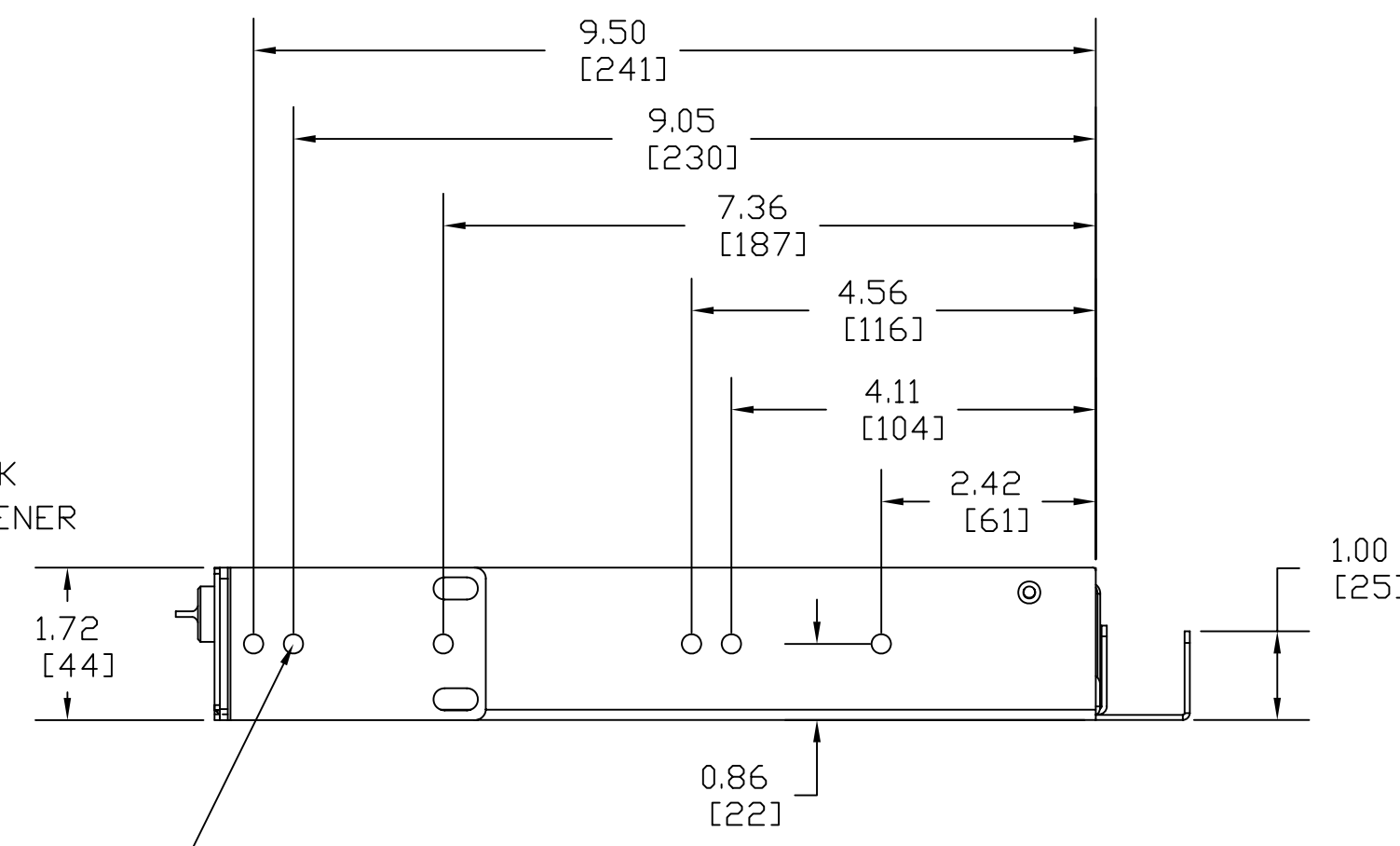
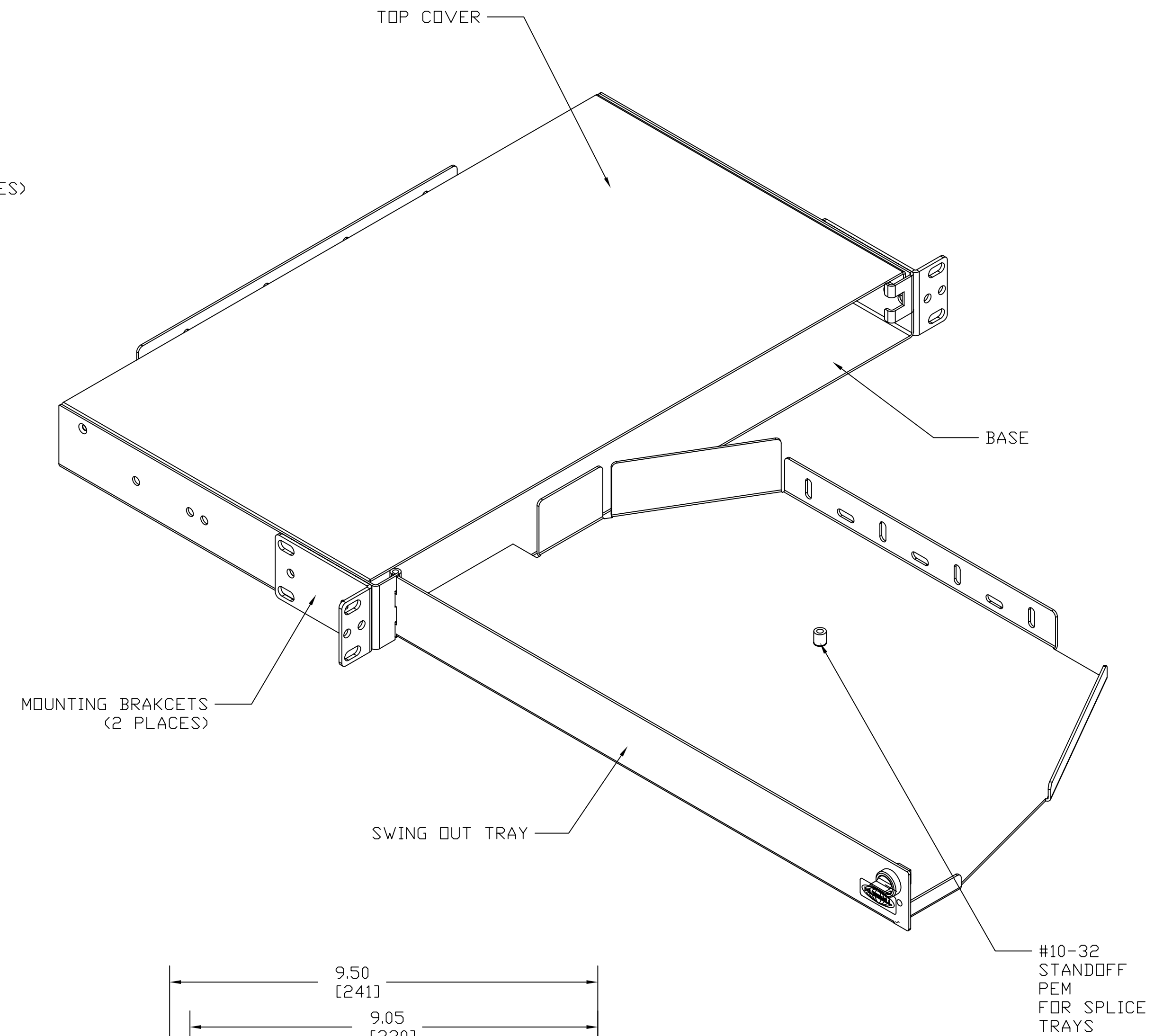
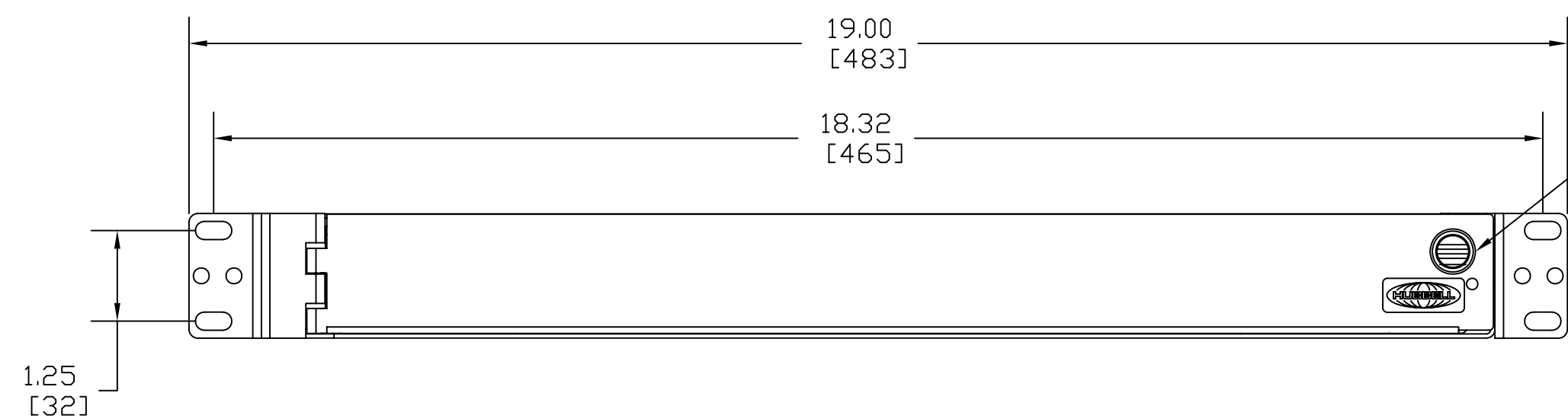
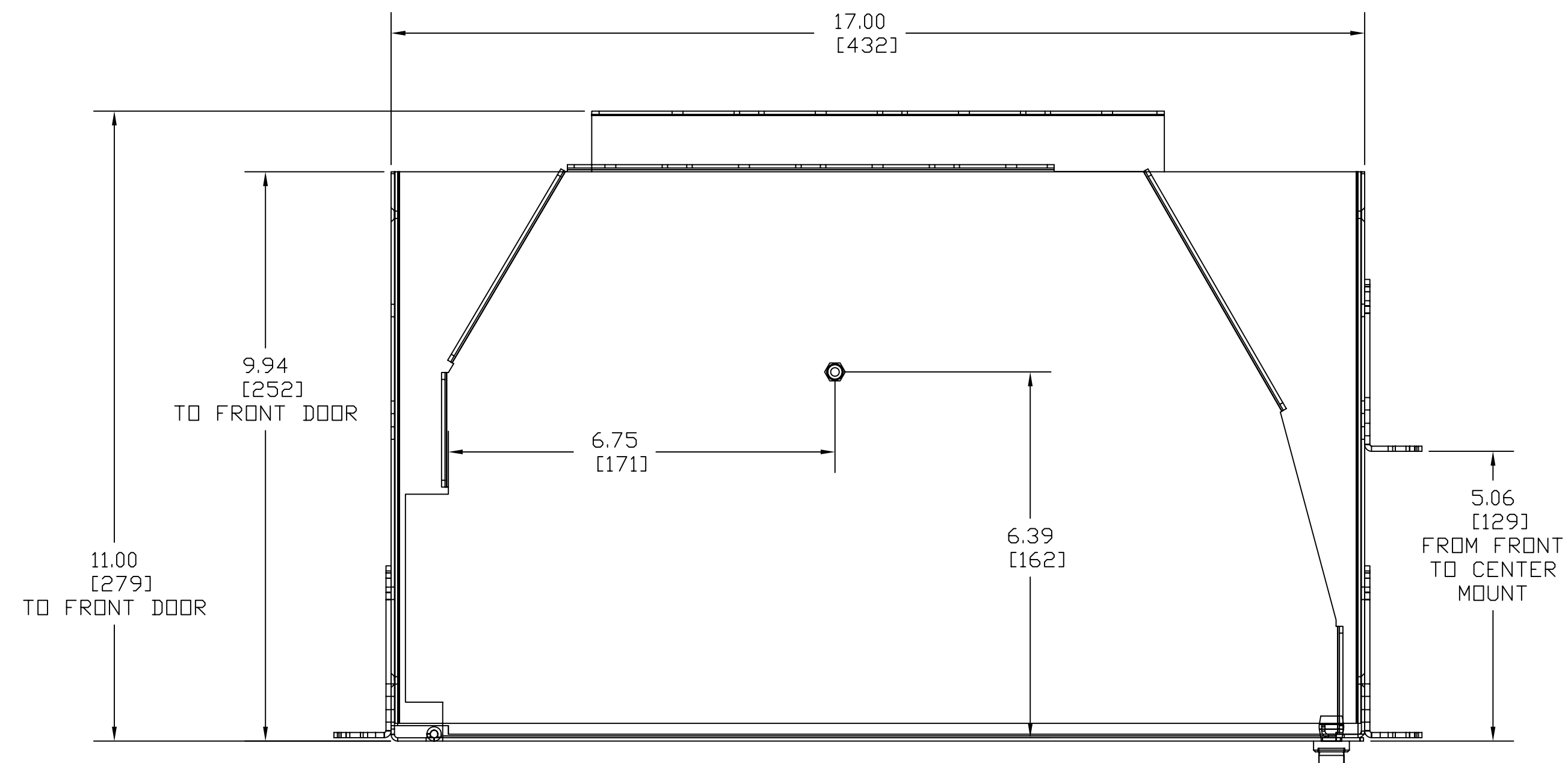
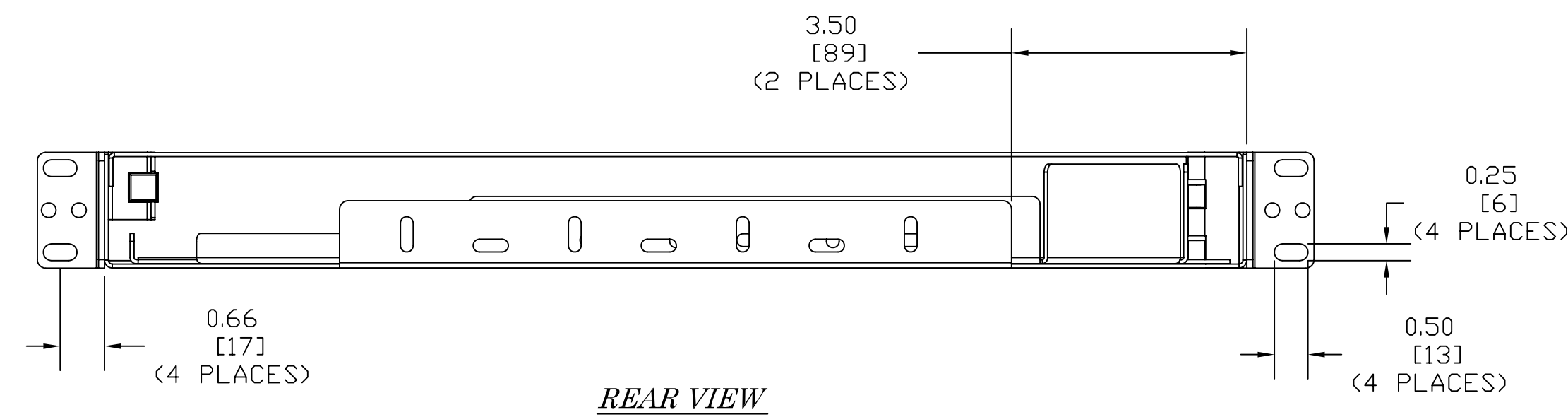


ITEM NO.	DESCRIPTION	QTY.
1	SCREW, #12-24 X 1/2", PHILLIPS PAN HEAD	4
2	SCREW, #10-32 X 1/4", PHILLIPS PAN HEAD	4
3	STUD, SPLICE TRAY, #10-32 X 1", SS	1
4	WING NUT, #10-32, NYLON	1
5	WASHER, FLAT, NYLON	1
6	CABLE CLIPS, ADHESIVE BACK	4
7	PUSH-TO-LOCK, 1/4 TURN FASTENER	1
8	WIRE TIE, 10" LENGTH, BLACK	4
9	BRACKET, MOUNTING, 19" & 23"	2
10	INSTRUCTION SHEET	1
11	LABEL, DANGER	1
12	LABEL, GRID	1

CATALOG NUMBER	DESCRIPTION
FSS01S	ASSY, FSS, 1U, FIBER SPLICE ENCLOSURE



- NOTES:
- UNIT HAS SWING OUT TRAY FOR EASY SPLICE CONNECTIONS.
  - MOUNTING BRACKETS FOR 19" OR 23" UNIVERSAL SPACING
  - BASE, TRAY AND COVER: 16 GA CRS.
  - MOUNTING BRACKETS: 13 GA CRS.
  - ALL METAL IS BLACK ELECTROSTATICALLY POWDER COATED.

PUSH-TO-LOCK  
1/4 TURN FASTENER

#10-32 MOUNTING SCREWS  
(NOT SHOWN)

Created on AUTOCAD	DIMENSIONING AND TOLERANCE PER ANSI Y14.5M-1982 UNLESS OTHERWISE SPECIFIED, DIMENSIONS ARE IN INCHES (MM). TOLERANCES .X = ±.03 (.8) .XX = ±.02 (.4) .XXX = ±.010 (.25) ANGLE TOL ±1°	PROJECT REFERENCE: 050-08	<b>Hubbell Premise Wiring</b> HUBBELL INCORPORATED (Delaware) 14 Lord's Hill Road, Stonington, Connecticut 06378
	IN ACCEPTING OUR DRAWINGS, BLUEPRINTS, OR SUPPORTING DOCUMENTATION FOR QUOTATION OR OTHER PURPOSES, YOU AGREE NOT TO DISCLOSE TO OTHERS THE IDEAS, INFORMATION, OR DESIGNS SHOWN HEREIN, AND THAT YOU WILL MAKE NO USE OF SAME WITHOUT PERMISSION	MATERIAL:	
	DRAWN BY: C. DUSSAULT 11/24/08	SIZE: D	DRAWING NO. HWS12732C
	CHECKED BY:	SCALE: 1/2	SHEET 1 OF 1
	APPROVED BY:		REV. A

REV.	ECN	DATE	DESCRIPTION	CHG BY	APPD BY
A	6464	11/24/08	INITIAL RELEASE	CD	