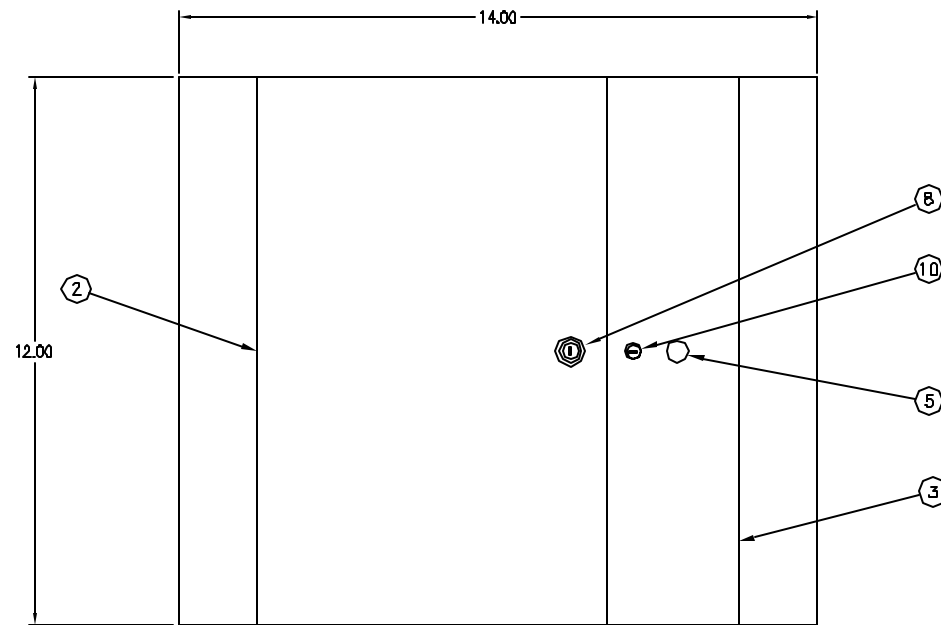
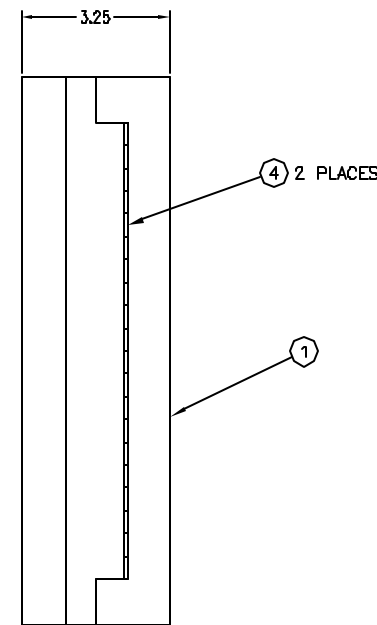


ITEM NO.	DESCRIPTION	QTY.
1	FCW4SP CABINET BASE	1
2	PANEL, LEFT DOOR	1
3	PANEL, RIGHT DOOR	1
4	HINGE PIN, DOOR	2
5	PLUG, D-HOLE DOME, DOOR	1
6	PANEL, PATCH	1
7	PLUG, DOME, 1.5" DIAMETER	4
8	CHROME DOOR KEY LOCK	1
9	CABLE TIE-OFF, FOUR SLOTS	4
10	FASTENER, 1/4 TURN, DOOR	1
11	NUT WITH LOCK WASHER, SS #10-32	2
12	STANDOFF, THREADED INSERT, SS #10-32	2
13	STANDOFF, THREADED INSERT, SS #10-32	1
14	INSTRUCTION SHEET	1

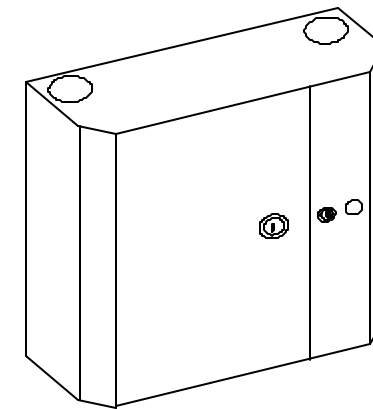
CATALOG NUMBER	DESCRIPTION
FCW4SP	4 SIX-PACK HOLDER WALL MOUNT CABINET



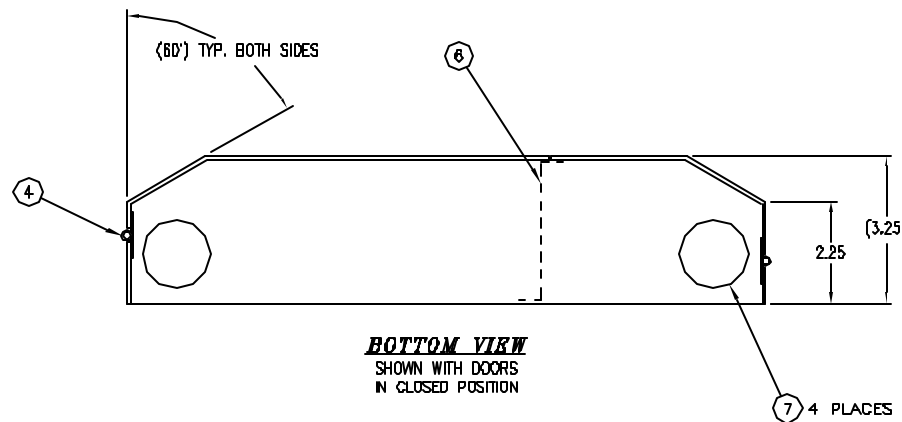
**FRONT VIEW**  
SHOWN WITH DOORS  
IN CLOSED POSITION



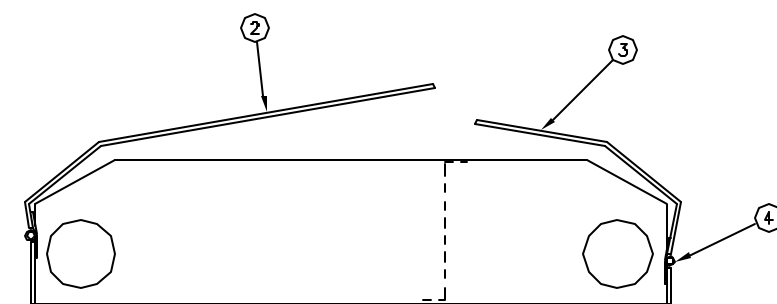
**SIDE VIEW**  
SHOWN WITH DOORS  
IN CLOSED POSITION



**FCW4SP SERIES**  
SCALE 1/4  
SILK SCREEN NOT  
SHOWN



**BOTTOM VIEW**  
SHOWN WITH DOORS  
IN CLOSED POSITION



NOTE: KEY-LOCK, NYLATCH FASTENER  
& D-HOLE PLUG NOT SHOWN

**BOTTOM VIEW**  
SHOWN WITH DOORS IN  
PARTIALLY CLOSED  
POSITION

NOTES:

- CABINET ACCEPTS UP TO FOUR MODULAR FSP ADAPTER PANELS.
- FACTORY INSTALLED LOCK ON TECHNICIAN'S SIDE, WITH OPTIONAL LOCK FOR USER'S SIDE.
- CABINET ACCEPTS A MAXIMUM OF TWO 7" SPLICE TRAYS (ONE 7" TRAY WITH HIGH-DENSITY ADAPTER PANELS INSTALLED).
- CABLE ENTRY PORTS ON BOTH TOP AND BOTTOM DESIGNED FOR STACKABLE MOUNTING.
- CABINET IS 16 GA. COLD ROLLED STEEL WITH BLACK ELECTROSTATICALLY APPLIED POWDER COAT.
- SPECIFICATIONS SUBJECT TO CHANGE WITHOUT NOTICE.

REV.	ECN	DATE	DESCRIPTION	CHG BY	APPD BY
A	4296	01/21/02	INITIAL RELEASE	PSM	JL

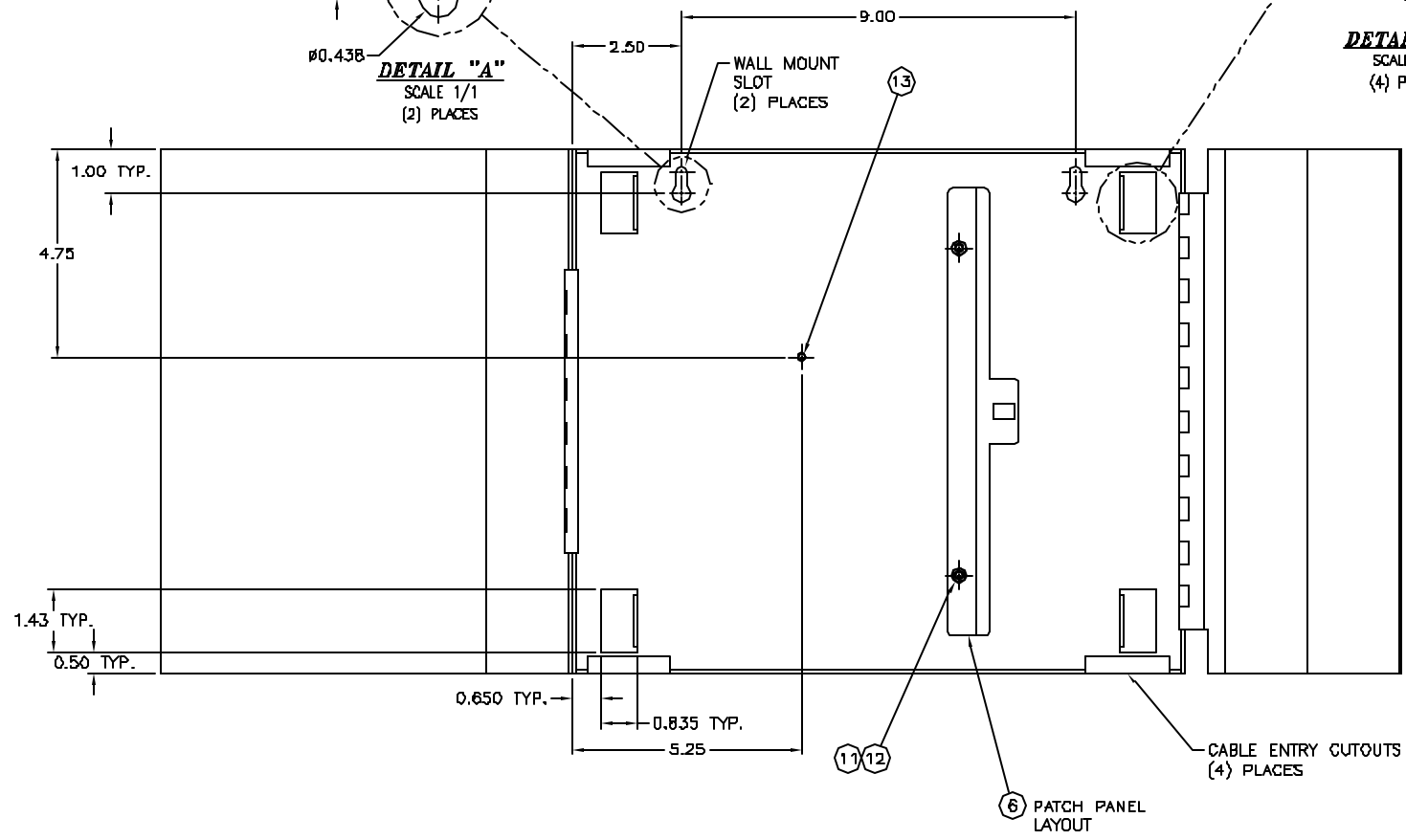
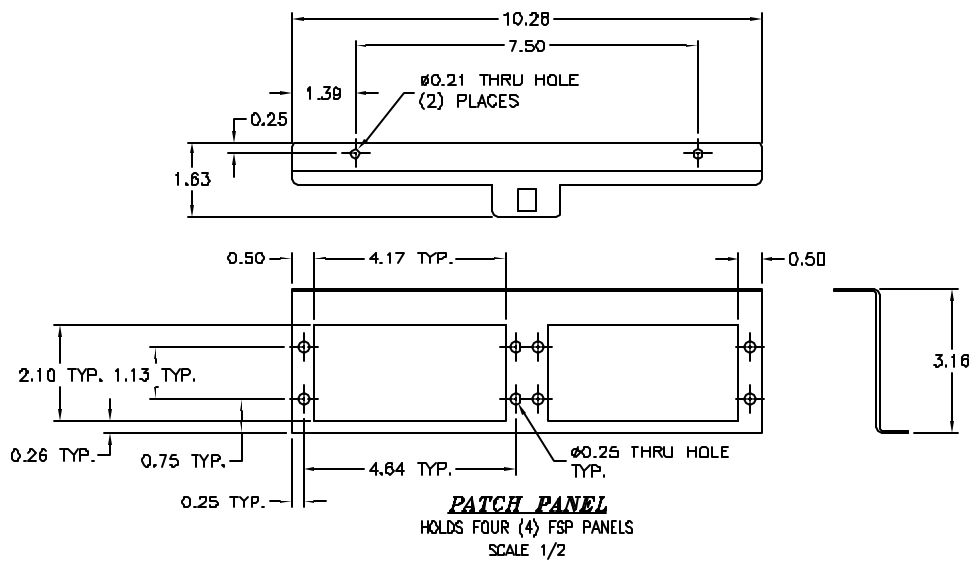
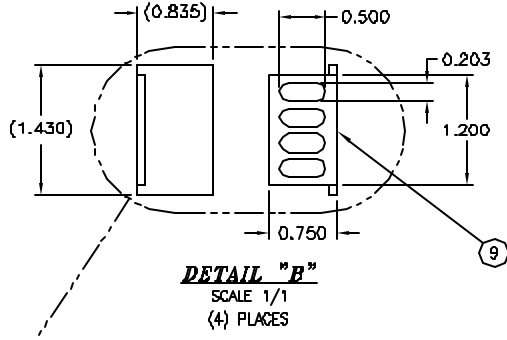
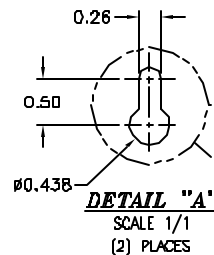
Dimensioning and tolerance per  
ANSI Y14.5M-1982  
UNLESS OTHERWISE SPECIFIED,  
DIMENSIONS ARE IN INCHES (MM).  
TOLERANCES  
.XX = ±.01 (.20)  
.XXX = ±.003 (.127)  
.XXXX = ±.0025 (.0635)  
ANGLE TOL. ±1°

IN ACCEPTING OUR DRAWINGS,  
BLUEPRINTS, OR SUPPORTING  
DOCUMENTATION FOR QUOTATION  
OR OTHER PURPOSES, YOU AGREE  
NOT TO DISCLOSE TO OTHERS  
THE IDEAS, INFORMATION, OR  
DESIGNS SHOWN HEREIN, AND  
THAT YOU WILL MAKE NO USE  
OF SAME WITHOUT PERMISSION

PROJECT REFERENCE:  
MATERIAL:  
DRAWN BY:  
PAUL S. MAGUIRE 01/21/02  
CHECKED BY:  
APPROVED BY:  
JOHN LUTZEN 03/08/02

<b>Hubbell Premise Wiring</b> HUBBELL INCORPORATED (China) Ltd. 14 Lord's Hill Road, Wallingford, Connecticut 06495		TITLE: ASSEMBLY, FCW4SP WALL MOUNT CABINET	
		SIZE D	DRAWING NO. C11110
SCALE: 1/2		SHEET 1 OF 2	

ITEM NO.	DESCRIPTION	QTY.
1	FCW4SP CABINET BASE	1
2	PANEL, LEFT DOOR	1
3	PANEL, RIGHT DOOR	1
4	HINGE PIN, DOOR	2
5	PLUG, D-HOLE DOME, DOOR	1
6	PANEL, PATCH	1
7	PLUG, DOME, 1.5" DIAMETER	4
8	CHROME DOOR KEY LOCK	1
9	CABLE TIE-OFF, FOUR SLOTS	4
10	FASTENER, 1/4 TURN, DOOR	1
11	NUT WITH LOCK WASHER, SS #10-32	2
12	STANDOFF, THREADED INSERT, SS #10-32	2
13	STANDOFF, THREADED INSERT, SS #10-32	1
14	INSTRUCTION SHEET	1



NOTE: KEY-LOCK, NYLATCH FASTENER & D-HOLE PLUG NOT SHOWN

TITLE:			ASSEMBLY, FCW4SP WALL MOUNT CABINET
SIZE	DRAWING NO.	REV.	
D	C11110	A	
SCALE:	1/2	SHEET	2 OF 2