



KILLARK®

INSTALLATION, OPERATION & MAINTENANCE DATA SHEET

TYPE SWB CONTROL STATIONS AND CONTROL PANELS
FOR USE IN CLASS I, DIV. 1 & 2, GROUPS C & D
CLASS I, ZONES 1 & 2, GROUPS IIB, IIA
CLASS II, DIV. 1 & 2, GROUPS E, F & G, CLASS III



TYPE SWB CONTROL STATIONS AND CONTROL PANELS

CAUTION:

Before installing, make sure you are compliant with area classifications, failure to do so may result in bodily injury, death and property damage. Do not attempt installation until you are familiar with the following procedures. All installation must comply with the applicable Electrical Code.

Make sure that the circuit is de-energized before starting installation or maintenance.

Verify that the installation is grounded. Failure to ground will create electrical shock hazards, which can cause serious injury and or death.

IMPORTANT:

Please read these instructions carefully before installing or maintaining this equipment. Good electrical practices should be followed at all times and this data should be used as a guide only.

Technical information, advice and recommendations contained in these documents is based upon information that Killark believes to be reliable. All the information and advice contained in these documents is intended for use only by persons having been trained and possessing the requisite skill and know-how and to be used by such persons only at their own discretion and risk. The nature of these instructions is informative only and does not cover all of the details, variations or combinations in which this equipment may be used, its storage, delivery, installation, check out, safe operation and maintenance. Since conditions of use of the product are outside of the care, custody and control of Killark, the purchaser should determine the suitability of the product for his intended use, and assumes all risk and liability whatsoever in connection therewith.

KILLARK®



3940 Dr. Martin Luther King Drive
St. Louis, MO 63113

P/N KIL00901308 FORM NO. K0569F ECO-3-011-12 R04/2012
FORMULE NO. K0569F R04/2012

FOR USE WITH SWB SINGLE AND MULTIPLE GANG BACK BOXES;
SWB-1, -2, -3, -4, -5, -6,, -7, -8, -9, -10, -11, -12, -17, -18, -19, -20, -21, -31, -32, -34, -35, -36, -37, -38,-42, -45, -48 & -49.

COVER ASSEMBLIES (ONE REQUIRED PER GANG)
A) SNAP SWITCHES SERIES XS
B) PUSHBUTTONS SERIES XCS
C) SELECTOR SWITCHES SERIES XCS
D) PILOT LIGHTS SERIES XCS
E) MANUAL MOTOR STARTERS SERIES XSD
F) RECEPTACLE SERIES KRS-20, KRS-303, KRS-304
G) BLANK COVER SERIES X-10

ENSEMBLES DE COUVERCLE (UN PAR SECTION)
A) COMMUTEURS A RESSORT SERIES XS
B) BOUTONS-POUSOIRS SERIES XCS
C) COMMUTEURS SELECTEURS SERIES XCS
D) LAMPES TEMOINS SERIES XCS
E) DEMARREURS MANUEL DE MOTEUR SERIES XSD
F) PRISE DE COURANT SERIES KRS-20, KRS-303, KRS-304
G) PLAQUE COUVERCLE SERIES X-10

1. DIRECTIONS FOR INSTALLATION

1. Mount the back box by means of mounting lugs, install conduit nipple and sealing fittings one each to be installed on each conduit entrance or exit to the enclosure back box in Class I and Class II areas (Reference: Article 500 NEC) thread conduit into sealing fitting (**Note: for Class I areas the conduit should engage [5] full threads**).
2. The conduit thread should be lubricated with a non-electrical insulating lubricant or pipe joint compound that will not promote corrosion or chemically attack aluminium.
3. After conduit system has been properly installed, pull the wires and make electrical connections as required. The electrical circuits and ground continuity should be checked with an instrument approved for the area. (Notice: connect only copper wire to this device).
4. All conduits entering or leaving the enclosure must be sealed within 18" of the enclosure with listed sealing fittings such as Killark "EY" or "EYS" sealing fittings.
5. Caution must be taken during installation to be sure that the ground flange flame joints of the cover and the box are not scratched, nicked or damaged.
6. Before assembly of the cover to the box, the mating ground surfaces of both the box and cover should be wiped clean to assure that the ground flame joint will be free of all foreign particles such as lint, dust or dirt.
7. After tightly bolting the cover assembly/assemblies to the enclosure all box to cover, flame joints should be checked with a 0.0015" thick feeler gauge such that the gauge will not enter the flame path more than 1/8" at any point.



3940 Dr. Martin Luther King Drive
St. Louis, MO 63113

P/N KIL00901308 FORM NO. K0569F ECO-3-011-12
R04/2012 FORMULE NO. K0569F R04/2012

Page 2 of 5

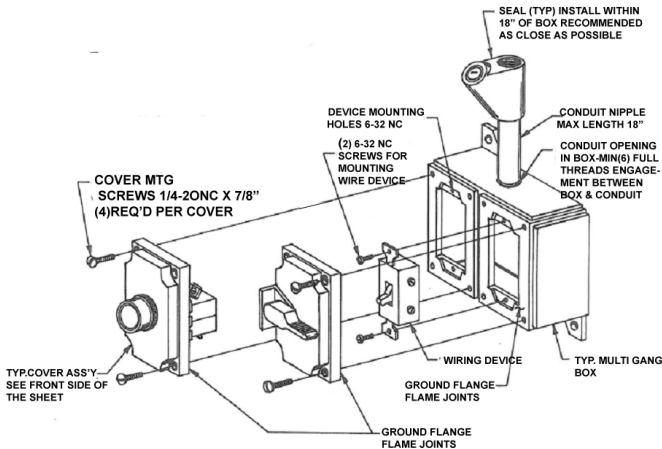
2. MAINTENANCE

All moving shafts should be lubricated occasionally to prevent binding. Only use a lubricant which is suitable for use with aluminium or stainless steel such as killark "LUBG" (general purpose) or "LUBT" (high temperature) lubricants. If devices are to be installed in corrosive areas which will attack aluminium alloys containing less than 0.4% copper (boxes and covers) and 303 stainless steel (mostly shafts), the device should be suitably protected from the corrosive material.

3. CAUTION

To prevent ignition of hazardous atmospheres, disconnect from the supply circuits before opening the enclosure; keep tightly closed while circuits are energized.

BOX IDENTIFICATION					
IDENT NO.	NO GANGS	CAT.NO	IDENT. NO	NO GANGS	CAT.NO
7	2	SWB- 7	21	5	SWB-21
8	2	SWB- 8	30	4	SWB-31
9	2	SWB- 9	32	6	SWB-32
10	2	SWB- 10	33	8	SWB-33
11	2	SWB- 11	34	10	SWB-34
12	2	SWB- 12	35	6	SWB-35
17	2	SWB- 17	36	9	SWB-36
18	2	SWB- 18	37	12	SWB-37
19	3	SWB- 19	38	15	SWB-38
20	4	SWB- 20			



KILLARK® Chalmit

Victor
Lighting

Vantage
Technology

RIG POWER

HAWKE
International

3940 Dr. Martin Luther King Drive
St. Louis, MO 63113

P/N KIL00901308 FORM NO. K0569F ECO-3-011-12
R04/2012 FORMULE NO. K0569F R04/2012

1. METHODE GENERALE D'INSTALLATION

1. Monter le boîtier au moyen des oreilles de fixation fournies. Installer le raccord et le raccord d'étanchéité, un de chaque sorte à visser sur chaque entrée ou sortie de tube vers l'enceinte, dans les endroits de Classe I et Classe II (Reference: Article 500 Du Cen).
(Note: Pour les endroits de Classe I, le tube doit engager 5 filets complets).
2. Les filets du tube doivent être lubrifiés avec un lubrifiant isolant non-électrique, ou mastic pour joints de tuyaux qui n'encouragera pas la corrosion, ni n'attaquera chimiquement l'aluminium.
3. Après que le système du tubes aura été installé convenablement, tirer les fils et faites les raccords requis. il faut contrôler les circuits électriques et l'uniformité de la mise à la terre au moyen d'un appareil approuvé pour l'endroit. Note: Raccorder seulement des fils en cuivre à ce dispositif.
4. Tous les tubes entrant dans l'enceinte ou en sortant doivent être fermes à 18" de l'enceinte avec des raccords d'étanchéité répertoires tels que les raccords killark "ey" ou "eys".
5. Il faut veiller pendant l'installation à ce que les joints à collet du couvercle et du boîtier ne soient ni éraflés, ni entailles, ni endommagés. avant d'assembler le couvercle sur le boîtier, il faut essuyer les surfaces de mise à la terre correspondantes pour être sûr que le joint sera exempt de toute particule étrangère, telle que poussière, saleté ou charpie.
6. Après avoir bien boulonné les ensembles des couvercles sur l'enceinte, il faut vérifier tous les joints entre le boîtier et le couvercle avec un calibre d'épaisseur de 0.0015" (de sorte que le calibre ne pénétrera pas dans le joint de plus de 1/8" à n'importe quel point).

2. ENTRETIEN

Tous les arbres mobiles doivent être lubrifiés à l'occasion pour empêcher tout coincage. Employer seulement un lubrifiant convenant à l'aluminium ou l'acier inoxydable, tel que Killark "lubg" (tout usage) ou "lubt" (hautes températures). Garder tous les collets propres et exempts d'éraflures.

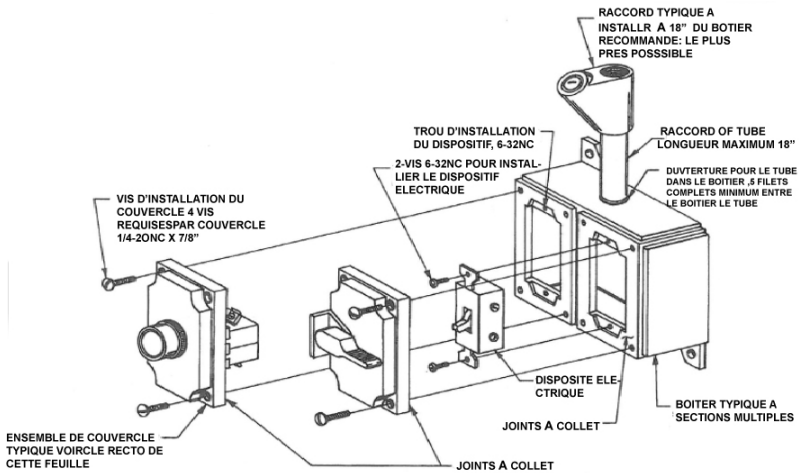
Si les dispositifs doivent être installés dans des endroits corrosifs qui attaqueront les alliages d'aluminium contenant moins de 0.4% de cuivre (boîtiers et couvercles) et de l'acier inoxydable 303 (la plupart des arbres), il faut protéger le dispositif convenablement contre le matériau corrosif.



3. MISE EN GARDE

Pour empêcher toute inflammation des atmosphères dangereuses, débrancher des circuits d'alimentation avant d'ouvrir l'enceinte. Garder bien ferme tant que les circuits sont sous tension.

IDENTIFICATION DU BOTHER					
NO. D'IDENT	NO OF SECTIONS	CAT.DE	NO.D'IDENT	NO OF SECTIONS	CA.DE
7	2	SWB-7	21	5	SWB-21
8	2	SWB-8	30	4	SWB-31
9	2	SWB-9	32	6	SWB-32
10	2	SWB-10	33	8	SWB-33
11	2	SWB-11	34	10	SWB-34
12	2	SWB-12	35	6	SWB-35
17	2	SWB-17	36	9	SWB-36
18	2	SWB-18	37	12	SWB-37
19	3	SWB-19	38	15	SWB-38
20	4	SWB-20			



3940 Dr. Martin Luther King Drive
St. Louis, MO 63113

P/N KIL00901308 FORM NO. K0569F ECO-3-011-12
R04/2012 FORMULE NO. K0569F R04/2012