



Wattstopper®

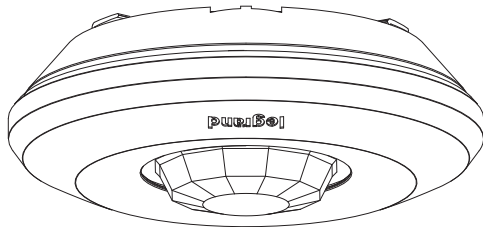
DLM PIR Wireless Ceiling Mount Occupancy Sensor with IPv6/Bluetooth® Low Energy Technology

No: 27368-07/18 rev. 1

Quick Start Guide • Guide de démarrage rapide • Guía de inicio rápido

Catalog Number • Numéro de Catalogue • Número de Catálogo: **LMPC-600, LMPC-600-1, LMPC-600-5**

Country of Origin: Made in China • Pays d'origine: Fabriqué en Chine • País de origen: Hecho en China



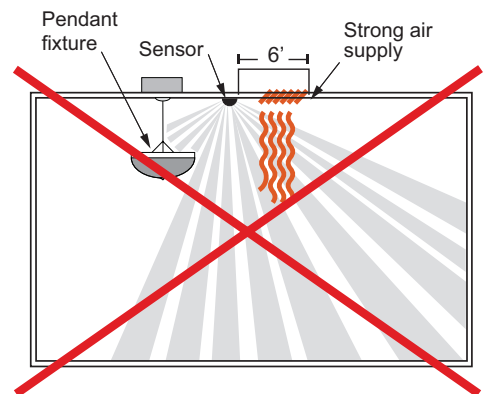
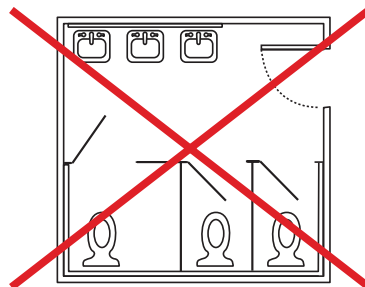
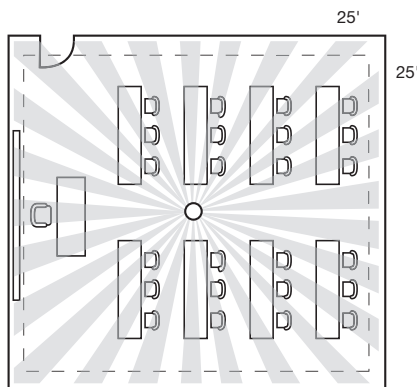
Once paired to an LMRC-611MCC wireless room controller, this unit is set for Plug n' Go operation, adjustment is recommended to meet the local energy code where installed.

The DLM Wireless ceiling mount sensor is a wireless battery powered PIR occupancy sensor intended for operation with wireless room controllers or bridges. Once paired to a wireless room controller, it detects and monitors the presence of motion to determine if lights should be on or off.

SPECIFICATIONS

Power Supply	Battery powered, CR123A Lithium Ion, 3 VDC
Connection to DLM Network...	Wireless via LMRC-611MCC room controllers
Lens Types	
LMPC-600	Wide Angle/Extended Range
LMPC-600-1	High Density
LMPC-600-5	High Bay/Extended Height
Wireless Hardware	
Radios:	Two IEEE 802.15.4
Frequency:	2.4Ghz
Antennas:	IPv6 Mesh and Bluetooth low energy
Wireless Standards	
Radio 1:	IPv6 Mesh (6LoWPAN)
Range:	up to 60 ft.
Radio 2:	Bluetooth low energy
Range:	up to 30 ft.
Wireless Encryption	
AES-128 bit symmetric key, randomly generated per PAN	
Shared via secured DTLS only	
Environment	
For Indoor Use Only	
Operating Temperature	32° to 104°F (0° to 40°C)
Storage Temperature	23° to 140°F (-5° to 60°C)
Relative Humidity	5 to 95% (non condensing)
Plenum Rating	UL2043
Compliance/Regulatory	
FCC, RoHS,	
Bluetooth certified	
UL and cUL listed (E101196)	
Patent Pending	

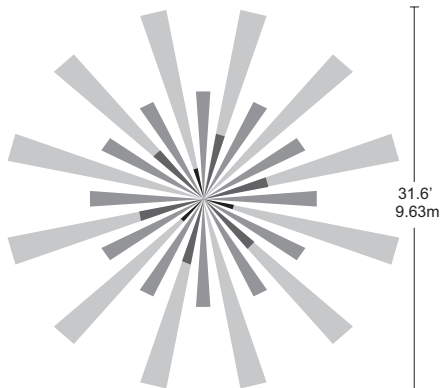
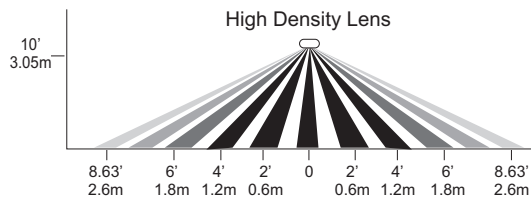
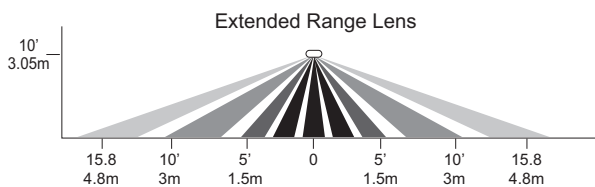
SENSOR PLACEMENT



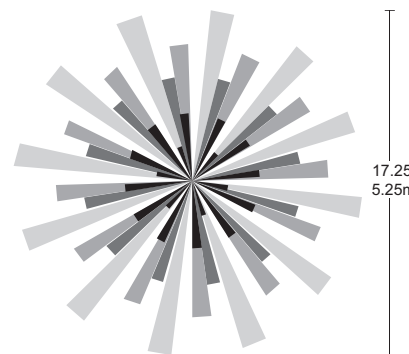
Mount sensor at least 6' away from air supply. Avoid obstacles that block sensor's line-of-sight.

COVERAGE PATTERN

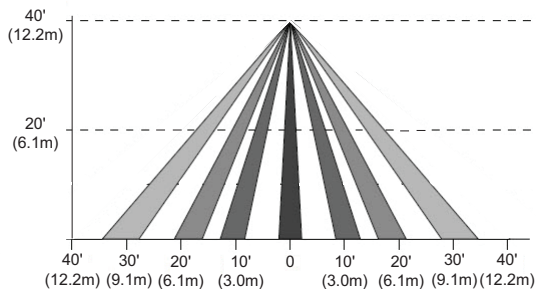
The LMPC-600 provides a 360° coverage pattern. The coverage shown represents maximum coverage for walking motion at a mounting height of 10 feet, or 40 feet for the extended height lens.



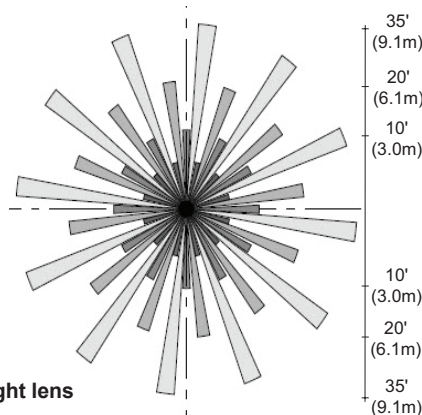
LMPC-600, wide angle/extended range lens



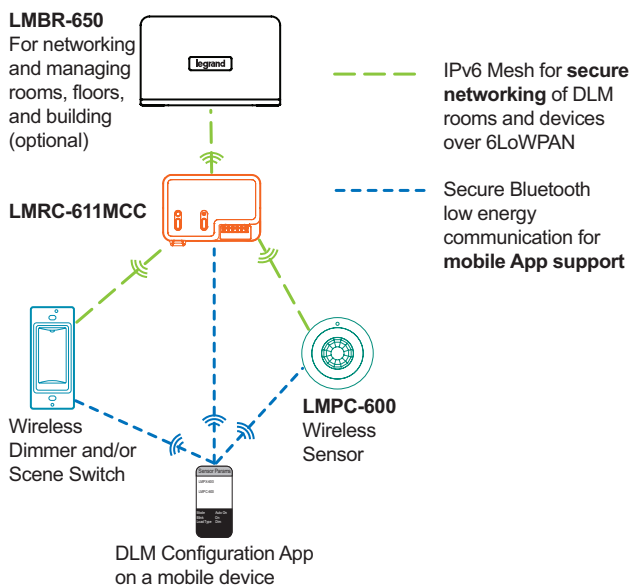
LMPC-600-1, high density lens



LMPC-600-5, high bay/extended height lens



WIRELESS ROOM CONNECTION



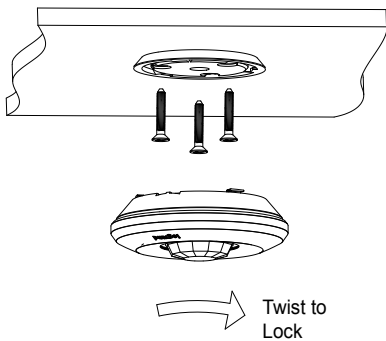
MOUNTING AND INSTALLATION

The LMPC-600 can be mounted using one of three possible methods:

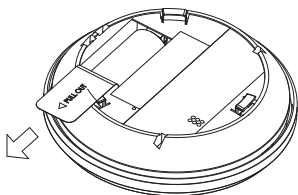
- Mounted to the ceiling using the included plastic mounting plate
- Mounted to a hanging threaded rod, for open ceiling environments, using the included threaded rod adapter
- Recessed mounting, using the optional LMPC-600-RPM Recessed Plenum Mounting Kit

Ceiling Mount

1. Attach the mounting plate to the ceiling with the three included 1" mounting screws.
2. Twist the LMPC-600 clockwise to lock it onto the mounting plate.

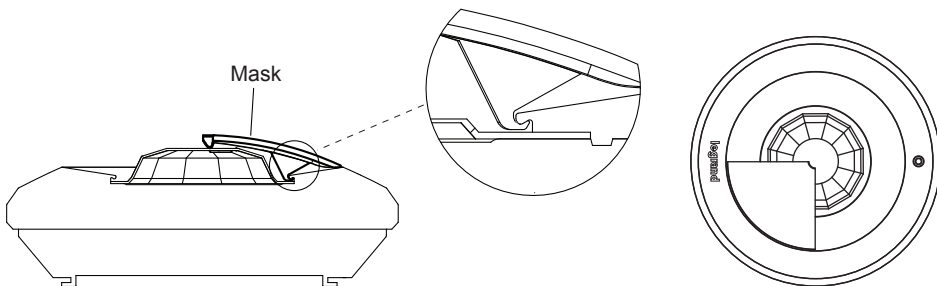


NOTE: Pull protective battery tab before installation to power the sensor.



Sensor Masking

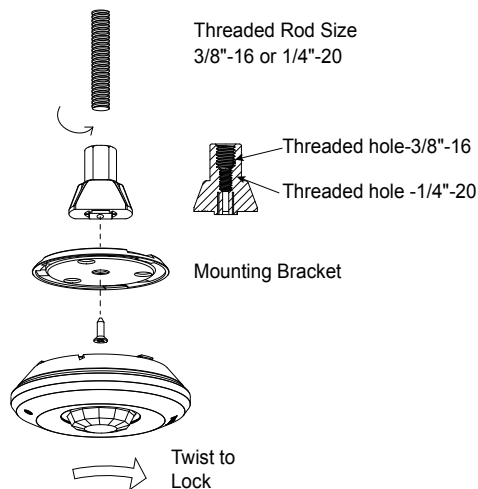
The LMPC-600 ships with three 90 degree snap in plastic parts that can be used to mask the sensor coverage.



Threaded Rod Mount

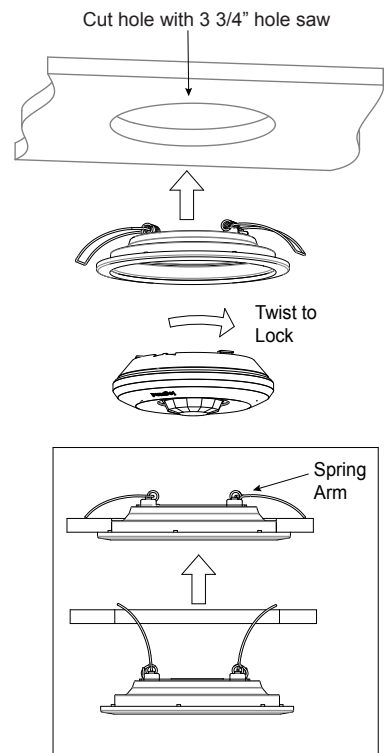
The threaded rod adapter can mount to a 3/8" - 16 or 1/4" - 20 hanging threaded rod.

1. Screw the adapter onto the rod.
2. Attach the mounting plate to the adapter using the included 10mm screw.
3. Twist the LMPC-600 clockwise to lock it onto the mounting plate.



Recessed Mount, using the LMPC-600-RPM

1. Using a 3 3/4" hole saw, cut a hole in the ceiling.
2. Raise the spring loaded arms so they fit through the hole.
3. Release the arms. The LMPC-600 will loosely clamp to the ceiling.
4. Hold the edges of the recessed mounting plate to prevent it from moving, then twist the LMPC-600 clockwise to lock it onto the mounting plate.



SETTING UP A ROOM NETWORK BY PAIRING DEVICES

Pair wireless devices to a room controller to create a secure individual room network and enable Plug N' Go operation.

Device pairing can be done by using Push-to-Pair (PtP) mode on the room controller and all other wireless devices, or by using the DLM Config App.

To pair devices in a network, they must all have the same wireless channel and PAN ID. By default the channel is 15 and the PAN ID is 1. Using Push-to-Pair mode, the PAN ID for all devices being paired is migrated to a new number, so that only those device communicate with each other. Note that while the channel remains at its default value using Push-to-Pair, if you pair devices using the DLM Config app, you can also change the channel.

Recommended Pairing Methods for Different Scenarios

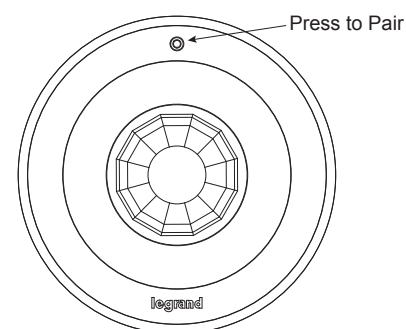
	Rooms with One Room Controller	Rooms with Multiple Room Controllers
Set Up a new room network	DLM Config App or Push-to-Pair Mode	DLM Config App or Push-to-Pair Mode
Add a device to an existing room network	DLM Config App or Push-to-Pair Mode	DLM Config App

NOTE: LMCS-100 software, version 4.7 or later can also be used to pair devices. However, LMCS-100 requires use of an LMBR-650.

DEVICE PAIRING USING PUSH-TO-PAIR MODE

Push-to-Pair in a room with a single LMRC-611MCC Room Controller

NOTE: Once you enter PtP mode on the room controller, a two minute timer begins. If the Config button on any device in the room is pressed, the timer resets and begins the two minute countdown again. If no Config button is pressed within 2 minutes, the room controller will exit PtP mode.



- Enter PtP mode on the room controller.** Press the Config button three times (within three seconds) until the LED on the room controller flashes green.
- Enter PtP mode on the LMPC-600.** Using a pointed tool, press the Config button three times. As with the room controller, the LED on the switch will flash green.
- Pair the LMPC-600.** Press the Config button on the LMPC-600 once to pair it to the room controller. The load connected to the room controller will toggle once (if the load is OFF, it will turn ON; if ON, it will turn OFF) to indicate that pairing was successful.

NOTE: If there are any wireless sensors, dimmers, or additional switches in the room, repeat steps 2 and 3 for each of those devices so that all devices are paired together in the same network. For each device, the load will toggle during step 3.

- Exit PtP mode.** Exit PtP on the room controller, by pressing the Config button 3 times. The LED on the room controller will flash blue while it completes the pairing process. The default PAN ID on all devices will change to a new number, based on the last four digits of the Mac address on the room controller, and now those devices will communicate only with each other and not any devices which have not been paired. Once complete, the switches and sensors will automatically exit PtP mode and will reboot. The LED on each switch or sensor will flash white at least once before resuming normal operation.

NOTE: It is important to exit PtP mode within the 2 minute time limit mentioned above. If you do not, none of the device pairings will be remembered and you have to start the process over from the beginning.

Push-to-Pair in a room with multiple LMRC-611MCCs

In a room with multiple loads, there may be more than one LMRC-611MCC. They can all be paired to the same room network, allowing the scene switch to set each load to different levels per scene. One of the room controllers will become the master, determining the PAN ID and channel settings for all the devices in the network.

- Enter wireless Push-to-Pair (PtP) mode on all room controllers.** Press the Config button three times on each LMRC-611MCC to put them all in PtP mode. The green LEDs will flash on all room controllers.
- Enter PtP mode on the LMPC-600.** Using a pointed tool, press the Config button three times. As with the room controller, the LED on the switch will flash green.
- Pair the LMPC-600.** Press the Config button on the LMPC-600 once to pair it to the room controller. The load connected to the room controller will toggle once (if the load is OFF, it will turn ON; if ON, it will turn OFF) to indicate that pairing was successful.

NOTE: If there are any wireless sensors, dimmers, or additional switches in the room, repeat steps 2 and 3 for each of those devices so that all devices are paired together in the same network. For each device, the load will toggle during step 3.

- Pair the room controllers together.** Press the Config button once on each room controller. This indicates to the rooms controllers that they will be paired with each other.
- Exit PtP mode.** On one of the room controllers, press the Config button 3 times. This room controller will become the master. The LED on the room controller will flash blue while it completes the pairing process. The default PAN ID on all devices will change to a new number, based on the last four digits of the Mac address on the room controller, and now those devices will communicate only with each other and not any devices which have not been paired. Once complete, the switches and sensors will automatically exit PtP mode. The LED on each switch or sensor will flash white at least once before resuming normal operation.

NOTE: It is important to exit PtP mode within the 2 minute time limit mentioned above. If you do not, none of the device pairings will be remembered and you have to start the process over from the beginning.

Pairing a device to an existing network

If you need to add the LMPC-600 to an existing in room network, follow the procedure below:

1. **Revert the room controller to its default Channel and PAN ID.** Press the Config button on the room controller seven times. If there are multiple room controllers in the network, this should be done on the master (see note below). This will set the room controller back to the default values for the Channel and PAN ID, so that it can communicate with the LMPC-600. However, other devices previously paired to the room controller will still remain paired to it.
2. **Enter wireless Push-to-Pair (PtP) mode on the room controller.** Press the Config button three times (within three seconds) until the LED on the room controller flashes green.
3. **Enter PtP mode on the LMPC-600.** Using a pointed tool, press the Config button three times. As with the room controller, the LED on the switch will flash green.
4. **Pair the devices.** Press the Config button on the LMPC-600 once to pair the LMPC-600 to the room controller. The load connected to the room controller will toggle once (if the load is OFF, it will turn ON; if ON, it will turn OFF) to indicate that pairing was successful.
5. **Exit PtP mode.** Exit PtP on the room controller, by pressing the Config button 3 times. The LED on the room controller will flash blue while it completes the pairing process. The PAN ID of the LMPC-600 will change to the value used by the previously paired devices and the room controller also returns to that value.

NOTE: With multiple room controllers, you need to use the master room controller, but you may not know which is the master. For this reason, Wattstopper recommends using the DLM Config App when adding a device to an existing network with multiple room controllers. However, if the app is not available. It is possible to determine the master by using Push n' Learn mode. The master is the one wired to Load 1 (the first load that will turn On). For details on Push n' Learn Mode, see the guide for the LMRC-611MCC, LMSW-605, or LMDM-601.

DEVICE PAIRING AND UNIT ADJUSTMENT USING THE DLM CONFIG APP

The DLM Config App is available for both iOS® and Android® devices. Search “DLM Config” on your device to download.



The app provides the ability to pair various devices in a room. Additionally, you can modify load binding and edit various DLM parameters for each device.

For details on the features and operation, download the DLM Config App User Guide from the wattstopper web site at :

<https://www.legrand.us/wattstopper.aspx>

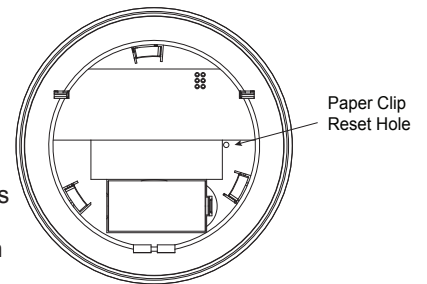
NOTE: LMCS-100 software, version 4.7 or later can also be used to pair devices and edit DLM parameters. However, LMCS-100 requires use of an LMBR-650.

RESETTING THE LMPC-600

When you reset the LMPC-600, the Channel and PAN ID will return to their default values, and if the switch was previously paired, it will no longer be connected to that room network. All DLM parameters are also returned to their default values.

There are two ways to reset the LMPC-600:

- Press the Config button 10 times. The LED will blink green each time the Config button is pressed, and then briefly turn white indicating it is rebooting.
- On the back of the sensor, is a small hole that will fit a paper clip. Use a paper clip to depress the button inside that hole and hold for 10 seconds. When you first press the reset button, the LED will blink red once, then after the 10 seconds will reboot and the LED will briefly turn white, indicating it is rebooting.



CONTAINS FCC ID: Q4B-P2 IC: 21161-P2

FCC REGULATORY STATEMENTS

This device complies with part 15 of the FCC Rules. Operation is subject to the following two conditions:

(1) This device may not cause harmful interference, and (2) this device must accept any interference received, including interference that may cause undesired operation.

NOTE: This equipment has been tested and found to comply with the limits for a Class A digital device, pursuant to part 15 of the FCC Rules. These limits are designed to provide reasonable protection against harmful interference when the equipment is operated in a commercial environment. This equipment generates, uses, and can radiate radio frequency energy and, if not installed and used in accordance with the instruction manual, may cause harmful interference to radio communications. Operation of this equipment in a residential area is likely to cause harmful interference in which case the user will be required to correct the interference at his own expense.

This device complies with FCC and IC safety levels of radio frequency (RF) exposure for Mobile devices.

This device is only authorized for use in a mobile application. At least 20 cm of separation distance between this device and the user's body must be maintained at all times.

Any changes or modifications not expressly approved by The Watt Stopper Inc. could void the user's authority to operate the equipment.

WARRANTY INFORMATION	INFORMATIONS RELATIVES À LA GARANTIE	INFORMACIÓN DE LA GARANTÍA
Wattstopper warranties its products to be free of defects in materials and workmanship for a period of five (5) years. There are no obligations or liabilities on the part of Wattstopper for consequential damages arising out of, or in connection with, the use or performance of this product or other indirect damages with respect to loss of property, revenue or profit, or cost of removal, installation or reinstallation.	Wattstopper garantit que ses produits sont exempts de défauts de matériaux et de fabrication pour une période de cinq (5) ans. Wattstopper ne peut être tenu responsable de tout dommage consécutif causé par ou lié à l'utilisation ou à la performance de ce produit ou tout autre dommage indirect lié à la perte de propriété, de revenus, ou de profits, ou aux coûts d'enlèvement, d'installation ou de réinstallation.	Wattstopper garantiza que sus productos están libres de defectos en materiales y mano de obra por un período de cinco (5) años. No existen obligaciones ni responsabilidades por parte de Wattstopper por daños consecuentes que se deriven o estén relacionados con el uso o el rendimiento de este producto u otros daños indirectos con respecto a la pérdida de propiedad, renta o ganancias, o al costo de extracción, instalación o reinstalación.

No. 24599 – 07/18 rev. 1

© Copyright 2018 Legrand All Rights Reserved.
© Copyright 2018 Tous droits réservés Legrand.
© Copyright 2018 Legrand Todos los derechos reservados.

The Bluetooth® word mark and logos are registered trademarks owned by the Bluetooth SIG, Inc. and any use of such marks by [licensee name] is under license.

Google Play and the Google Play logo are trademarks of Google Inc.

The Apple logo, iPhone, iPod touch, and iTunes are trademarks of Apple Inc., registered in the U.S. and other countries.

 **legrand**®

800.879.8585

www.legrand.us/wattstopper