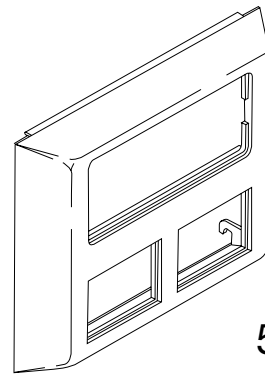


5007C-2 Deep Device Plate Installation Instructions



5007C-2

Deep devices such as Ground Fault Circuit Interrupters, Surge Suppressor Outlets and/or the Communications Activation Series inserts, may be utilized in the Wiremold Access™ 5000 Raceway System using this Deep Device Plate. A typical installation is illustrated in Figure 1.

Twist off the two Spacers attached to the 5007C Device Bracket (see Figure 3). Snap the Device Mounting Bracket, 5007C into the base channel provided as in Figure 2. Assemble the device to the Device Bracket utilizing the Spacers as shown in Figure 1. Assemble the Deep Device Plate to the Raceway Base. Engage the hooks located next to the double window opening, to the lower (large) lip of the Raceway Base. Rotate the Device Plate toward the wall snapping it into place (see Figure 4). Assemble the desired Face Plate as shown in Figure 1.

Figure 1

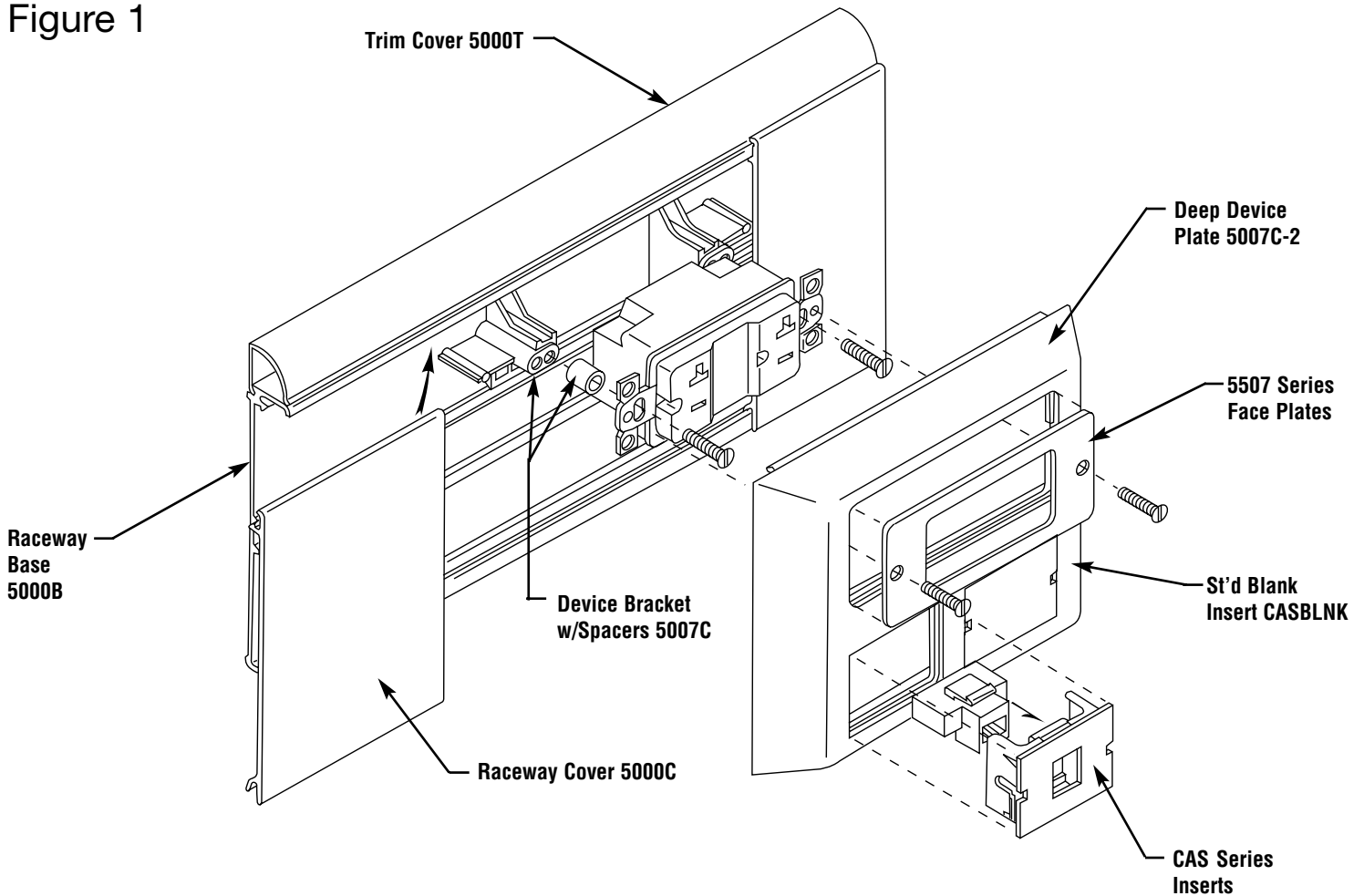


Figure 2

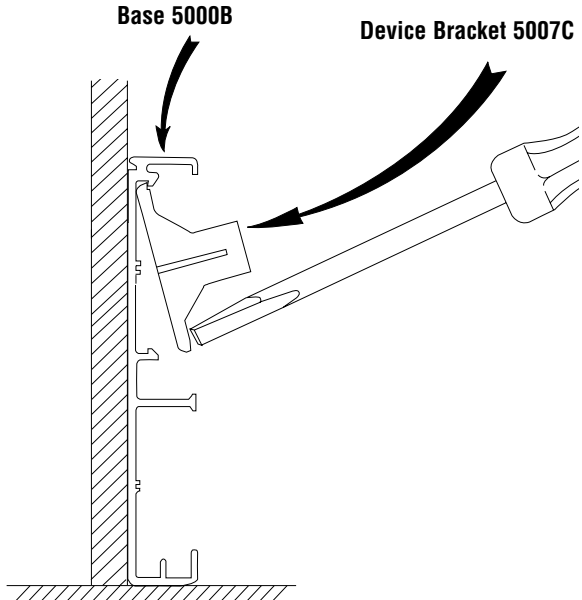


Figure 3

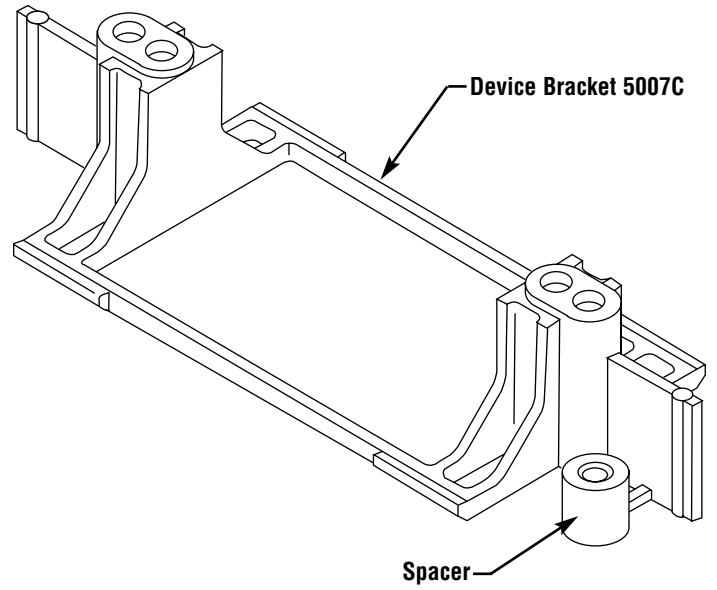
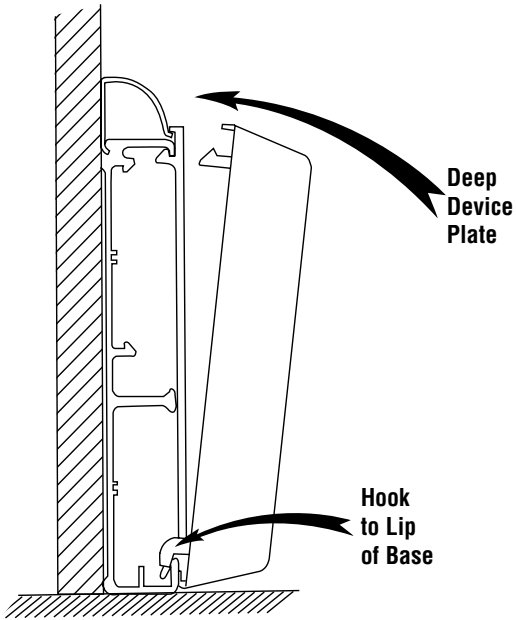
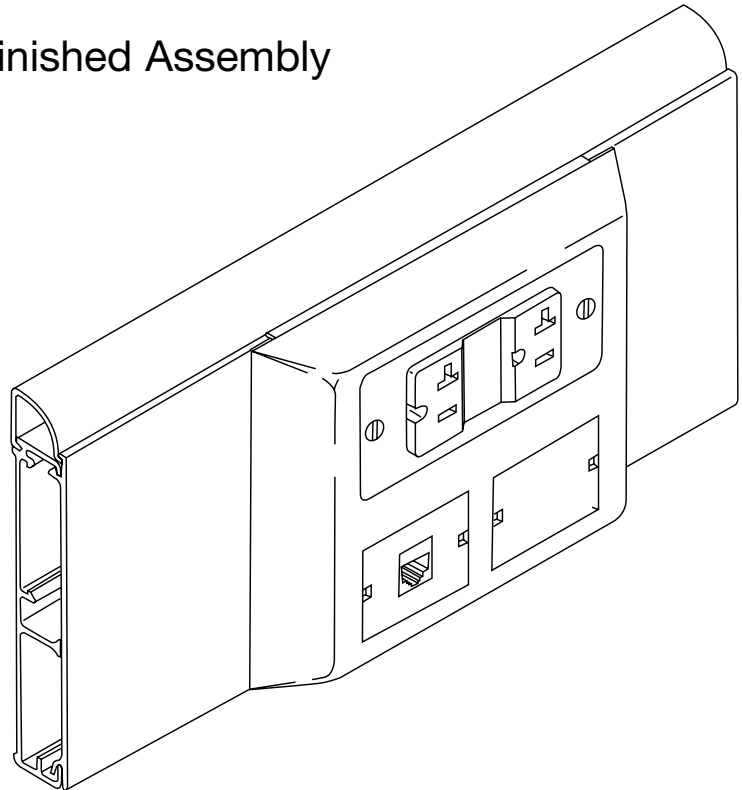


Figure 4



Finished Assembly



The Wiremold Company
60 Woodlawn Street
West Hartford, CT 06133-2500