

10/100Mbps 4-Port Internet Router

APPLICATION

Leviton's 10/100Mbps 4-Port Internet Router allows multiple users to use a single, secure, high-speed broadband (DSL or cable) Internet connection. It creates a private network for home, small office, or school environments.



SPECIFICATION

The 10/100Mbps 4-Port Internet Router shall meet all applicable standards: IEEE 802.3 and 802.3u, and FCC part 15 (Class B) compliant. It shall allow multiple users to use a single, secure, high-speed broadband Internet connection (DSL or cable). It shall contain four RJ-45 ports for LAN application and one RJ-45 port for WAN application. It shall have NAT Firewall and Password Protection. The Internet Router shall have WEB GUI Configuration for management and use TCP/IP, NAT, DHCP, ICMP, DNS, TFTP, HTTP protocols. It shall include a URL blocking feature and universal plug-and-play configuration supported by Windows XP or later. The 10/100Mbps 4-Port Internet Router shall mount into any Leviton Structured Media® Center using provided push-in latching pins.

FEATURES

- LEDs indicate power, status, LINK/Activity, 100Mbps and WAN
- Allows multiple users to securely share a single, protected high-speed Internet connection
- Built-in NAT firewall protects networks from outside observation and provides secure communication for network users.
- Customizes web access and filters unwanted sites with URL blocking feature
- UPnP (universal plug-and-play) allows automatic discovery and configuration of the Gateway; UPnP supported by Windows XP or later

DESIGN CONSIDERATIONS

- Connects to a CAT 5e or CAT 6 Voice and Data Module with CAT 5, 5e, or 6 patch cords
- Cascade additional switches or hubs from any LAN port with auto-detect uplink. Designed for up to 253 connections

PHYSICAL SPECIFICATIONS

LAN Interface:	Four RJ-45 connector 10/100Mbps ports
WAN Interface:	One RJ-45 connector port for DSL or cable modem connection
Reset Button:	Resets to factory default settings or restarts unit
LED Indicators:	One power indicator, one status indicator, four link/activity indicators, and one WAN indicator
Security:	NAT Firewall. Password-protected configuration. Stateful Packet Inspection.
Management:	WEB GUI configuration
Dimensions:	See page 2
Power:	12VDC @ 500mA

STANDARDS COMPLIANCE

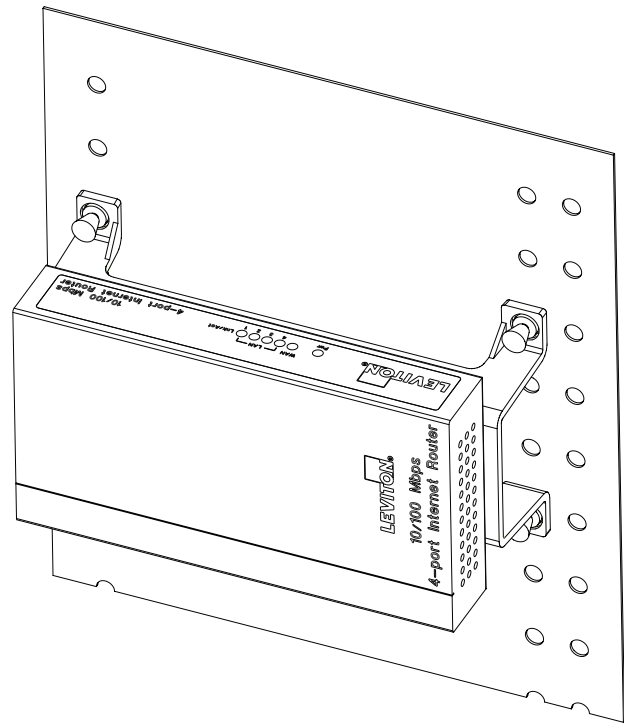
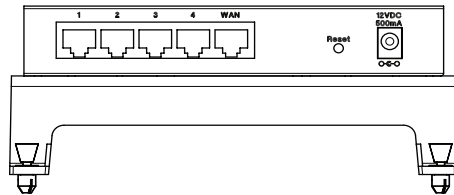
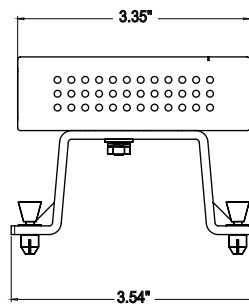
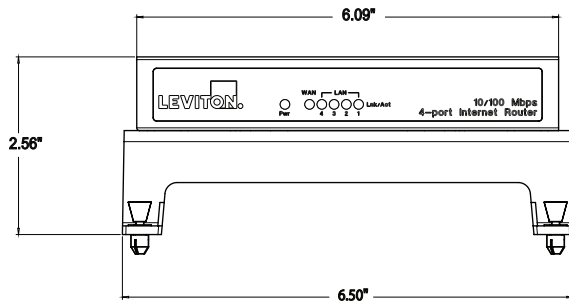
Meets or exceeds all applicable standards: IEEE 802.3 and 802.3u. Network protocols: TCP/IP, DHCP, ICMP, DNS, NAT, PPTP, HTTP, PPPoE. FCC Part 15 (Class B). UPnP requires Windows XP or later.

WARRANTY INFORMATION

Two-year limited product warranty.

ELECTRONIC FILES

For CAD files, technical specs, or technical drawings (.DXF, .DWG, Visio), visit www.leviton.com.



47611-GT4

PART NUMBER	
Description	Part No.
10/100Mbps 4-Port Internet Router	47611-GT4

