

QuickPort® Compression RCA Connector

APPLICATION

Leviton's QuickPort Compression RCA Connector is used in home and office high-end applications such as HDTV and home theatre. It features a radial compression design providing a secure termination on Series 6 Quad Shield Cable. Terminate using Leviton's installer-friendly Master Compression Tool.

STANDARDS COMPLIANCE

Meets or exceeds all applicable standards: UL listed components; ACA/A-Tick Approved.

PHYSICAL SPECIFICATIONS

Materials:	
QuickPort Body:	White
Connector Body:	Brass and Nickel Finish
Insert Colors:	(R) Red, (Y) Yellow, (L) Blue, (E) Black, and (V) Green
Mechanical Requirements: Limits:	
Cable Application	<20 lbs max insertion
Equipment Interface	>10 matings without damage
Pull Force	>40 lbs
Electrical Requirements: Limits:	
Insulation Resistance	>5000 M @ 100VDC
Dielectric Strength	<1 KVAC for 1 minute
Return Loss	>30 dB to 1GHz

DESIGN CONSIDERATIONS

- Use Leviton's Master Compression Tool to terminate Series 6 Quad Shield Cable.
- Designed to fit into any QuickPort Wallplate or Housing.
- Combines an RCA bulkhead with a compression termination for faster terminations.

See ELECTRONIC FILES for CAD files (.DXF, .DWG, MS-DOS.EPS) on disk



WARRANTY INFORMATION

For a copy of Leviton product warranties, log on to www.levitonvoicedata.com/warranty.

For ELECTRONIC Typical Specs see (.TXT) file on disk.

TYPICAL SPECIFICATION

The QuickPort Compression RCA Connector shall be constructed with brass and a nickel finish; its insert shall be available in a variety of colors to designate application including, Red, Yellow, Blue, Black and Green. It shall feature a radial compression design, providing 360° electrical continuity. Its return loss shall be greater than 30dB to 1GHz; it shall be able to withstand greater than 40 lbs pull force. The Compression Connector shall meet or exceed UL, ACA and A-Tick requirements.

QuickPort® Compression RCA Connector



For Technical Support Call 1-425-485-4288; in USA call 1-800-824-3005.
Spec sheets and updates are also available at www.levitonvoicedata.com.

2222 - 222nd St. SE • Bothell, WA 98021 USA
Tel: 1-800-722-2082 / 1-425-485-4288 • Fax: 1-425-483-5270 • Int'l Fax: 1-425-485-9170 • GSA Schedule Available.



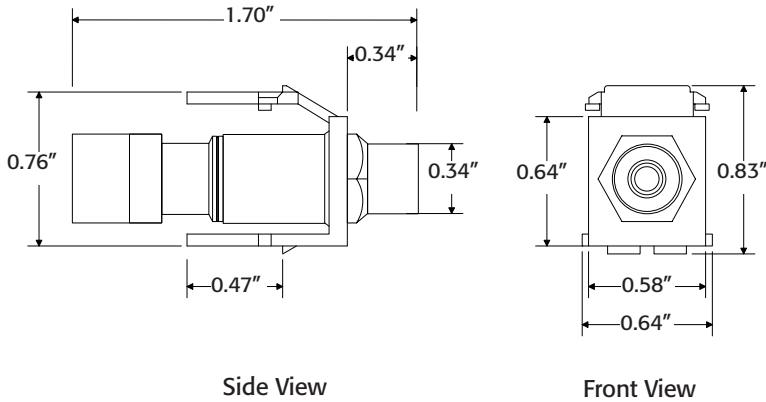
QuickPort® Compression RCA Connector

Part Number
40782-RXW

.....

DIMENSIONAL LINE ART

See ELECTRONIC FILES for CAD images
(.DXF, .DWG, MS-DOS.EPS)



PART NUMBERS

Description	Part No.
QuickPort Compression RCA Connector	40782-R*W

*=Color Options: (R) Red, (Y) Yellow, (L) Blue, (E) Black, (V) Green



For Technical Support Call 1-425-485-4288; in USA call 1-800-824-3005.
Spec sheets and updates are also available at www.levitonvoicedata.com.



2222 - 222nd St. SE • Bothell, WA 98021 USA • Tel: 1-800-722-2082 / 1-425-485-4288 • Fax: 1-425-483-5270 • Int'l Fax: 1-425-485-9170 • GSA Schedule Available.