

PROJECT

TYPE

LED-CHL

CATALOG NUMBER

PRODUCT DESCRIPTION

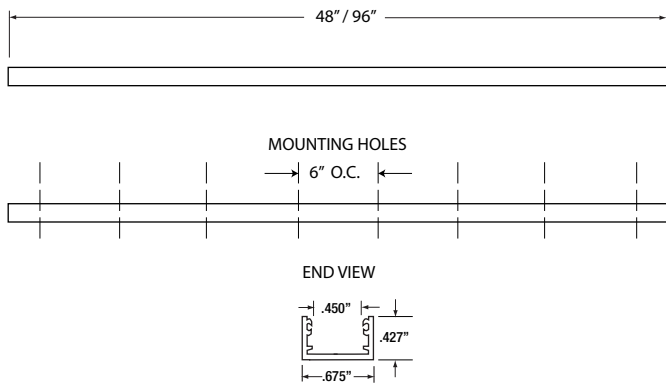
Extruded aluminum channel with snap on semi-frosted diffusion lens that provides a rigid linear mounting platform that accommodates the following GM Lighting LED Ribbons

FOR LTR SERIES TAPE (DRY LOCATION ONLY)

LTR-P, LTR-S and LTR-E
 LTR300, LTR300-100, LTR300-SO, LTR300-100-SO GM300-24-SO,
 LTR30024, LTR30024-100

FEATURES

- Includes 2 mounting clips and screws
- Includes acrylic frosted lens
- End caps sold separately



ORDERING INFORMATION

Model Number	Description	Length	Width	Depth	Finish
LED-CHL	Extruded architectural aluminum channel	48"	.675"	.427"	Brushed Aluminum
LED-CHL-8	Extruded architectural aluminum channel	96"	.675"	.427"	Brushed Aluminum
LED-CHL-AMC	(2) Adjustable mounting brackets				Stainless Steel
LED-CHL-EC	(2) End caps - one solid, one with hole				Grey
LED-CHL-MC	(2) Additional mounting clips				Stainless Steel

TAPE / CONNECTOR COMPATIBILITY

Catalog No.	Length	Fits These Connectors	For LED Tape Series	Mill Dimensions
LED-CHL	48"	Soldered leads only	LTR-P, LTR-S, LTR-E Series Dry location only	.675" x .427"
LED-CHL-8	96"	Soldered leads only	LTR300, LTR300-100, LTR300-SO, LTR300-100-SO GM300-24-SO, LTR30024, LTR30024-100	.675" x .427"

Please check our website at www.gmlighting.net for new additions to our line of architectural mounting extrusions.