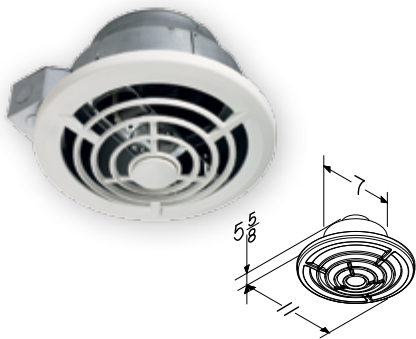




Powerful solutions
for problem rooms.

Model 8210 Ceiling Mount—Vertical Discharge

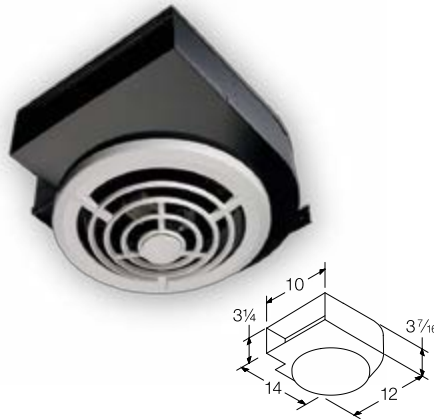


- Ventilates directly through the roof with round ducting
- Paintable engineered resin grille installs with a single screw
- Adjustable hanger bars for 16" or 24" O.C. joists
- Motor mounting bracket has two slots that slide over two mounting screws on sleeve for faster installation
- Specially designed transition-type housing reduces diameter of discharge opening to fit 7" round duct; no reducer is needed
- UL Listed for use in cooking areas

Wall/Ceiling Mount—Vertical/Horizontal Discharge

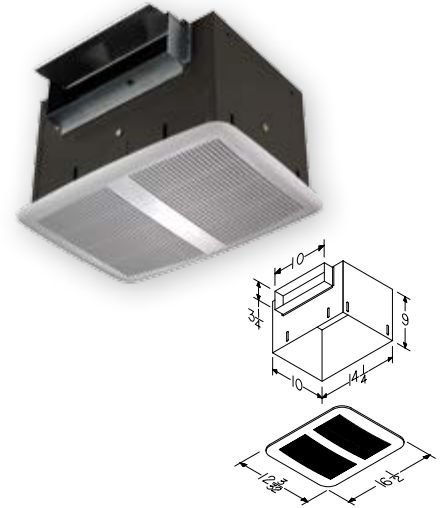
Eliminate humidity or tobacco smoke from recreation rooms or workshops with these powerful utility ventilators. All feature powerful, permanently lubricated motors and rugged steel housings.

Model 8310 Wall/Ceiling Mount—Side discharge only



- 3 1/4" x 10" duct, side discharge
- Paintable engineered resin grille installs easily
- Motor assembly offers fast easy "twist-lock" installation
- Specially designed fan blade stays in balance—will not distort
- Installs easily in walls or ceiling
- Built-in backdraft damper
- Adjustable mounting brackets span from 14" to 24" O.C. joist
- UL Listed for use in cooking areas

Model QT200 & QT300 Ceiling Mount



- Sturdy brown-enamel steel housing is lined with sound-deadening foam for quiet operation
- Low RPM motor plugs into prewired junction box
- Motor and twin blowers dynamically balanced for smooth, quiet operation
- Vents horizontally or vertically with 3 1/4" x 10" duct
- Duct collar with quiet backdraft damper included
- Installs easily between 16" O.C. joist with slotted mounting bracket. Slots on housing sides provide alternative mounting
- Wiring knockouts located on top and back of housing

Wall/Ceiling	CFM	Sones	Ducting	Notes
8210	210	6.5	7"	Vertical Discharge Only
8310	160	5.0	3-1/4" x 10"	Rectangular Duct
QT200	200	2.0	3-1/4" x 10"	Rectangular Duct
QT300	300	4.5	3-1/4" x 10"	Rectangular Duct