

DA2010

DELTA LED Track Fixture
Track Systems

Job Information		
Project Name		Type
Location		
Quantity		Date
Contact/Phone		
Notes		

Features

Body

Constructed of aluminum, the body features an aesthetically pleasing smooth cylindrical shape.

Beam Spread

The fixture features a 38° beam spread for optimal light distribution.

Dimming

The track fixture is 100-10% dimmable when used with TRIAC dimming controls (Consult factory for compatible dimmers).

Adjustability

Adjustable up to 90° tilt and 358° rotation to allow for spotlight into multiple directions.

LED Characteristics

Available in 10 Watt Bridgelux® LED engine maintains uniform intensity with a typical luminous flux up to 1050 lumens, with up to 90 CRI.

Compatibility

Fixture is provided with a A-Line connector. For other configurations, please refer to ordering guide.

Labels

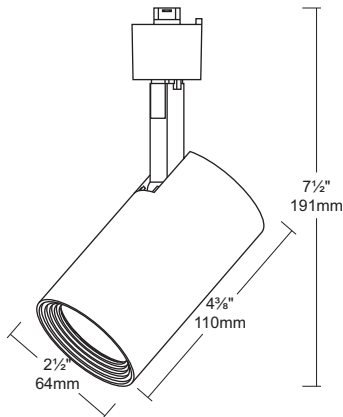
- cETLus listed

SPECIFICATION	
Application	Track
Approved Location	Dry / Indoor
Beam Angle	38°
CCT	2700 K / 3000 K / 3500 K / 4000 K
Certification	cETLus
Colour	BK / SL / WH
CRI	80 / 90
Dimming	Yes
Dimming Tech	TRIAC
LM80	Yes
Lumens	Up to 1050
Lumens per Watt	Up to 100
Power Factor	≥0.98
Primary Voltage	120
Projected Life	50,000 hrs
Rotation	358°
Tilt	90°
TM-30 Annex E	80 CRI: P3/V-/F- 90 CRI: P2/V-/F2
Warranty	5 Years
Wattage	80 CRI: 10W 90 CRI: 9W



Description

DELTA is an aluminum designer track fixture with up to 10 watt LED module. It provides directional light source for specific aiming and assures a secure lock on the angle position.



Color Temp.	Lumens	
	80 CRI	90 CRI
2700 K	960	640
3000 K	1,010	670
3500 K	1,040	690
4000 K	1,050	700



Ordering Guide

Connector Type - **DA2010** - Color Temp. - Beam Angle - CRI - Finish Color



Blank : A-Line
H : H-style
L : L-style
LL : Liteline

30 : 3000 K
40 : 4000 K
27 : 2700 K
35 : 3500 K

38 : 38°

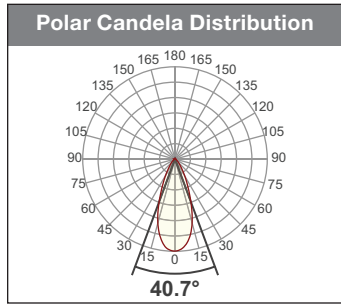
Leave blank for 90 CRI
80 : 80 CRI

BK : Black
WH : White
SL : Silver

Highlighted option denotes Quick Ship.

Notes:
Quick Ship option is available on orders of 100 pieces or less, and will ship within 5 business days. Options must be selected from Quick Ship section to qualify. For additional options please consult your Liteline representative. All trademarks are the property of their respective owners. Halo is a registered trademark of Cooper Lighting. Lightolier is a registered trademark of Philips.
Due to our continued efforts to improve our products, product specifications are subject to change without notice.

DA2010-3038-80WH : 10W DELTA TRACK FIXTURE, 3000 K, 38° BEAM SPREAD, 80 CRI, WHITE



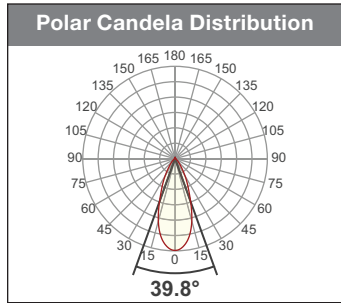
Beam Details

D	Lux	FC	L	W
4'	1046	97	3'	3'
8'	261	24	5.9'	5.9'
12'	116	11	8.9'	8.9'
16'	65	6	11.9'	11.9'
20'	42	4	14.8'	14.8'

Zonal Lumen Summary

Zone	Lumens	% Luminaire
0-30	316	31.79%
0-40	491	49.40%
0-60	753	75.75%
60-90	183	18.41%
70-100	132	13.28%
90-120	69.6	7.00%
0-90	936	94.16%
90-180	109	10.97%
0-180	994	100.00%

DA2010-3038-WH : 9W DELTA TRACK FIXTURE, 3000 K, 38° BEAM SPREAD, 90 CRI, WHITE



Beam Details

D	Lux	FC	L	W
4'	738	69	2.9'	2.9'
8'	184	17	5.8'	5.8'
12'	82	8	8.7'	8.7'
16'	46	4	11.6'	11.6'
20'	30	3	14.5'	14.5'

Zonal Lumen Summary

Zone	Lumens	% Luminaire
0-30	475.7	69.1%
0-40	567.4	82.5%
0-60	633.0	92.0%
60-90	23.3	3.4%
70-100	16.8	2.4%
90-120	12.5	1.8%
0-90	656.3	95.4%
90-180	31.8	4.6%
0-180	688.1	100.0%