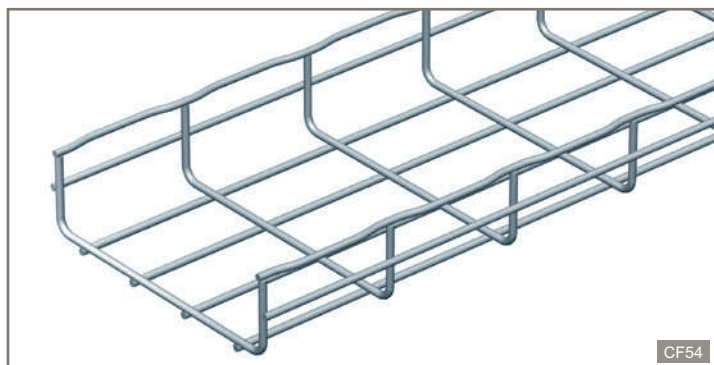
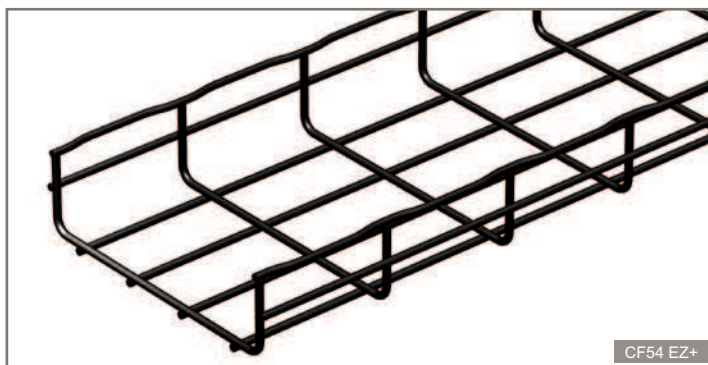


straight lengths – CF54

straight lengths – CF54 EZ+



CF54



CF54 EZ+

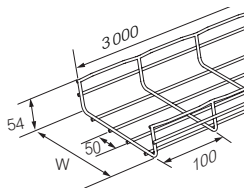
Loading graphs p. 44
Dimensions and technical information p. 44

Loading graphs p. 44
Dimensions and technical information p. 44

NOTE : please use Cat. No. when placing your order

NOTE : please use Cat. No. when placing your order

Pack	Cat. Nos.		CF54 – straight lengths (3 m)	
			\updownarrow 54 mm	\leftarrow 50 mm \rightarrow 600 mm \rightleftarrows 3 m
			For length to length coupling options :	
			<ul style="list-style-type: none"> • EDRN • AUTOCLIC • ED275 + KITFIXTR / KITFIXVS • KITASSTR / KITASSVS 	
			see p. 20-23	
	EZ	GC		
1	CM000061	CM000063	CF54/50	Width (mm) 50
1	CM000071	CM000073	CF54/100	100
1	CM000081	CM000083	CF54/150	150
1	CM000091	CM000093	CF54/200	200
1	CM000101	CM000103	CF54/300	300
1	CM000201	CM000203	CF54/400	400
1	CM000251	CM000253	CF54/450	450
1	CM000301	CM000303	CF54/500	500
1	CM000401	CM000403	CF54/600	600



Pack	Cat. Nos.		CF54 EZ+ – straight lengths (3 m)	
			\updownarrow 54 mm	\leftarrow 50 mm \rightarrow 600 mm \rightleftarrows 3 m
			For length to length coupling options :	
			<ul style="list-style-type: none"> • EDRN • KITASSTR 	
			see p. 20-23	
		EZ+		
1	CM000062	CM000062	CF54/50	Width (mm) 50
1	CM000072	CM000072	CF54/100	100
1	CM000082	CM000082	CF54/150	150
1	CM000092	CM000092	CF54/200	200
1	CM000102	CM000102	CF54/300	300
1	CM000202	CM000202	CF54/400	400
1	CM000252	CM000252	CF54/450	450
1	CM000302	CM000302	CF54/500	500
1	CM000402	CM000402	CF54/600	600

Pack	Cat. Nos.		CF54 stainless steel – straight lengths (3 m)	
			\updownarrow 54 mm	\leftarrow 50 mm \rightarrow 600 mm \rightleftarrows 3 m
			For length to length coupling options :	
			<ul style="list-style-type: none"> • AUTOCLIC • ED275 + CE25 + BTRCC 6 x 20 • KITASSTR / KITINOX 	
			see p. 20-23	
	304L	316L		
1	CM000068	CM000064	CF54/50	Width (mm) 50
1	CM000078	CM000074	CF54/100	100
1	CM000088	CM000084	CF54/150	150
1	CM000098	CM000094	CF54/200	200
1	CM000108	CM000104	CF54/300	300
1	CM000208	CM000204	CF54/400	400
1	CM000258	CM000254	CF54/450	450
1	CM000308	CM000304	CF54/500	500
1	CM000408	CM000404	CF54/600	600

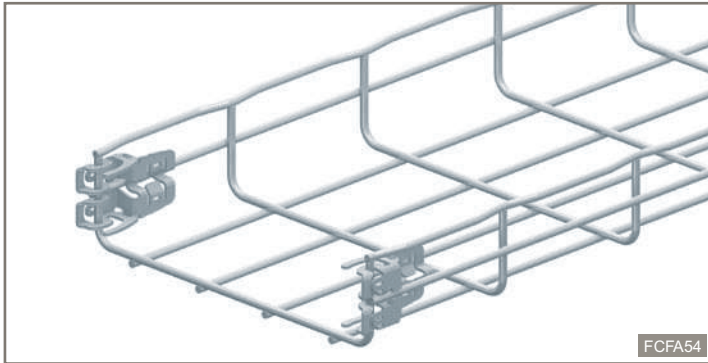
Key: EZ	Electrogalvanised after manufacture	304L	Stainless steel 304 L
EZ+	Additional coating after electrogalvanisation (black)	316L	Stainless steel 316 L
GC	Hot dip galvanised after manufacture		

For detailed information related to finishes, refer to p. 132-133

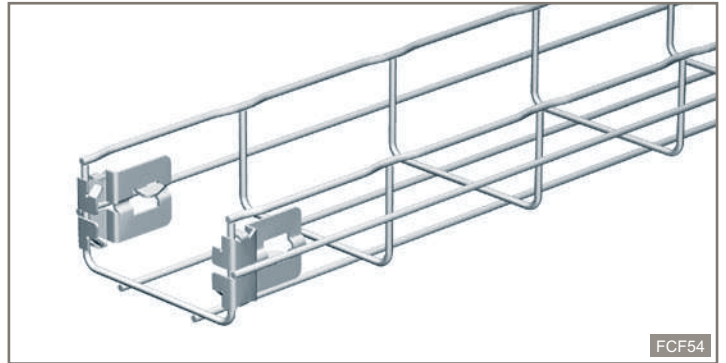
All dimensions (mm) are nominal

straight lengths – FCFA54 (FASCLIC AUTO)

straight lengths – FCF54 (FASCLIC)



FCFA54

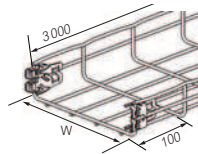


FCF54

Loading graphs **p. 45**
Dimensions and technical information **p. 45**

NOTE : please use Cat. No. when placing your order

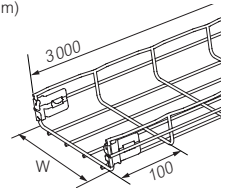
Pack	Cat. Nos.	FCFA54 – straight lengths (3 m)	
	EZ	↓↑ 54 mm	↔ 50 mm → 600 mm ↔ 3 m
			Width (mm)
1	CM082061	FCFA54/50	50
1	CM082071	FCFA54/100	100
1	CM082081	FCFA54/150	150
1	CM082091	FCFA54/200	200
1	CM082101	FCFA54/300	300
1	CM082201	FCFA54/400	400
1	CM082251	FCFA54/450	450
1	CM082301	FCFA54/500	500
1	CM082401	FCFA54/600	600



Loading graphs **p. 46**
Dimensions and technical information **p. 46**

NOTE : please use Cat. No. when placing your order

Pack	Cat. Nos.		FCF54 stainless steel – straight lengths (3 m)	
	304L	316L	↓↑ 54 mm	↔ 50 mm → 200 mm ↔ 3 m
				Width (mm)
1	CM081068	CM081064	FCF54/50	50
1	CM081078	CM081074	FCF54/100	100
1	CM081088	CM081084	FCF54/150	150
1	CM081098	CM081094	FCF54/200	200



Key: **EZ** Electrogalvanised after manufacture
GC Hot dip galvanised after manufacture

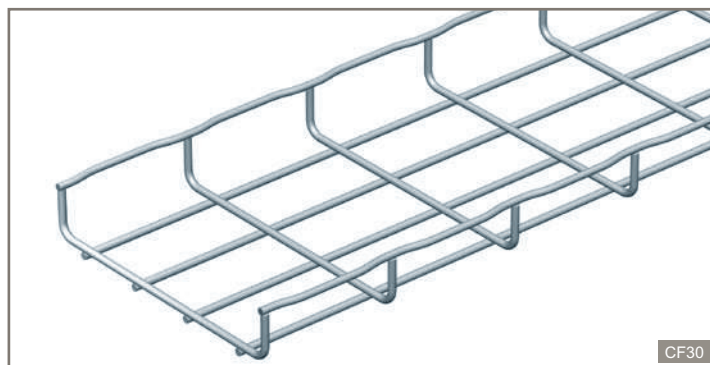
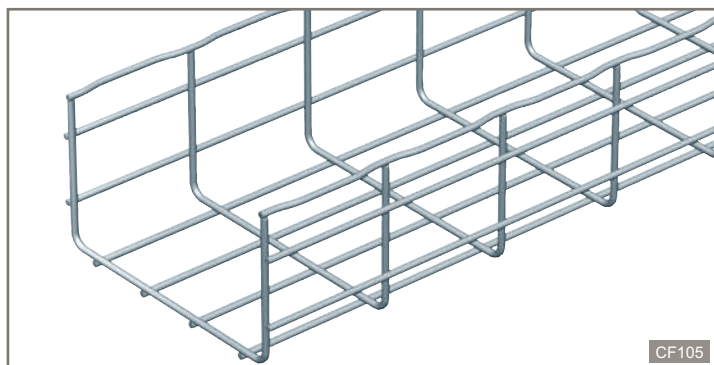
304L Stainless steel 304 L
316L Stainless steel 316 L

For detailed information related to finishes, refer to **p. 132-133**

All dimensions (mm) are nominal

straight lengths – CF105

straight lengths – CF30



Loading graphs **p. 47**
Dimensions and technical information **p. 47**

NOTE : please use Cat. No. when placing your order

Pack	Cat. Nos.		CF105 – straight lengths (3 m)	
	EZ	GC	$\updownarrow 105 \text{ mm}$ $\curvearrowright 100 \text{ mm}$ $\rightarrow 600 \text{ mm}$ $\rightleftarrows 3 \text{ m}$ For length to length coupling options : • EDRN • AUTOCLIC • ED275 + KITFIXTR / KITFIXVS • KITASSTR / KITASSVS see p. 20-23	
			Width (mm)	
1	CM000891	CM000893	CF105/100	100
1	CM000901	CM000903	CF105/150	150
1	CM000911	CM000913	CF105/200	200
1	CM000921	CM000923	CF105/300	300
1	CM000931	CM000933	CF105/400	400
1	CM001931	CM001933	CF105/450	450
1	CM000941	CM000943	CF105/500	500
1	CM001031	CM001033	CF105/600	600

Loading graphs **p. 48**
Dimensions and technical information **p. 48**

NOTE : please use Cat. No. when placing your order

Pack	Cat. Nos.		CF30 – straight lengths (3 m)	
	EZ	GC	$\updownarrow 30 \text{ mm}$ $\curvearrowright 50 \text{ mm}$ $\rightarrow 600 \text{ mm}$ $\rightleftarrows 3 \text{ m}$ For length to length coupling options : • EDRN • ED275 + KITFIXTR / KITFIXVS • KITASSTR / KITASSVS see p. 20-23	
			Width (mm)	
1	CM000011	CM000013	CF30/50 ¹	50
1	CM000021	CM000023	CF30/100	100
1	CM000031	CM000033	CF30/150	150
1	CM000041	CM000043	CF30/200	200
1	CM000051	CM000053	CF30/300	300
1	CM000801	–	CF30/400	400
1	CM000831	–	CF30/450	450
1	CM000811	–	CF30/500	500
1	CM000851	–	CF30/600	600

Pack	Cat. Nos.		CF105 stainless steel – straight lengths (3 m)	
	304L	316L	$\updownarrow 105 \text{ mm}$ $\curvearrowright 100 \text{ mm}$ $\rightarrow 600 \text{ mm}$ $\rightleftarrows 3 \text{ m}$ For length to length coupling options : • AUTOCLIC • ED275 + CE25 + BTRCC 6 x 20 • KITASSTR / KITINOX see p. 20-23	
			Width (mm)	
1	CM000898	CM000894	CF105/100	100
1	CM000908	CM000904	CF105/150	150
1	CM000918	CM000914	CF105/200	200
1	CM000928	CM000924	CF105/300	300
1	CM000938	CM000934	CF105/400	400
1	CM001938	CM001934	CF105/450	450
1	CM000948	CM000944	CF105/500	500
1	CM001038	CM001034	CF105/600	600

Pack	Cat. Nos.		CF30 stainless steel – straight lengths (3 m)	
	304L	316L	$\updownarrow 30 \text{ mm}$ $\curvearrowright 50 \text{ mm}$ $\rightarrow 300 \text{ mm}$ $\rightleftarrows 3 \text{ m}$ For length to length coupling options : • ED275 + CE25 + BTRCC 6 x 20 • KITASSTR / KITINOX see p. 20-23	
			Width (mm)	
1	CM000018	CM000014	CF30/50 ¹	50
1	CM000028	CM000024	CF30/100	100
1	CM000038	CM000034	CF30/150	150
1	CM000048	CM000044	CF30/200	200
1	CM000058	CM000054	CF30/300	300

1 : = No safety edge

Key: **EZ** Electrogalvanised after manufacture **304L** Stainless steel 304 L
GC Hot dip galvanised after manufacture **316L** Stainless steel 316 L

For detailed information related to finishes, refer to **p. 132-133**

All dimensions (mm) are nominal