

Turn Hours into Minutes.

No more cutting to make most bends. Experience an entirely new way of working on your next project. Every project requires numerous cable tray bends and drops — sometimes hundreds per project. With traditional cutting and bending, each drop can take hours to complete. With patent-pending Cablobend, you have the freedom to flexibly create the bends and drops that you need.

Features & Benefits

- **Optimal flex wires.** The optimized balance of strength and speed for the quickest up-and-down bends in the industry
- **Save hours per bend.** Shrink your installation time to as little as 15 minutes per bend with zero cutting required on thousands of bends in a single project.*
- **Wide range of adjustability.** Vertical and horizontal angle adjustability to 90° to fit any configuration
- **Safer installation.** No need for cutting tools and less time on elevated areas for installation
- **Load capacity.** Same as field cut and formed bends
- **Variety of widths and combinations.** Heights of 2", 4" or 6" combined with widths from 6" to 24" to create the vertical bends, vertical elevation changes, horizontal offset changes and horizontal bends that you need
- **Included clips to make sections rigid.** Create rigid sections if needed or leave flexible sections for bends and drops
- **Fully assembled and ready-to-use.** Increases efficiency in the field
- **UL Classified.** Meets UL classification. Cablobend black painted tray provides a UL rated bonding location on both ends of every bend assembly

*Cutting is not necessary in the field unless shortening the length of the tray.

Vertical Markets

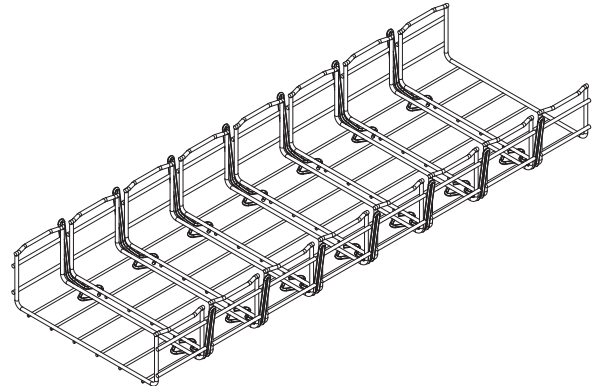
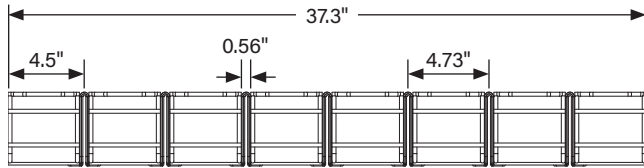
- Data Center
- Commercial
- Hospitality
- Education
- Entertainment

Compliance

cULus Listed

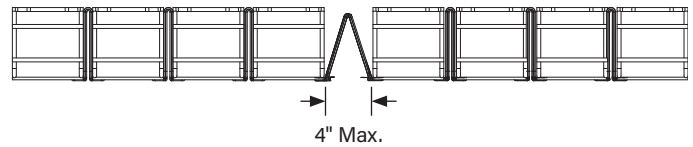
RoHS Compliant

Cablobend Product Configurations Detail



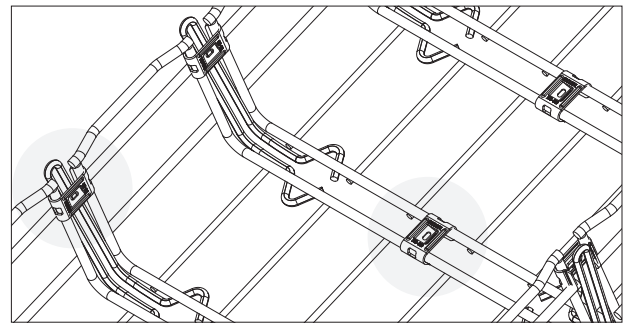
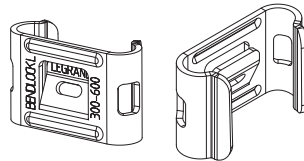
STRETCH

- Maximum gap between segments
5" - (2-4" recommended as a best practice)



BENDLOCKS

- Use Bendlocks (included) to lock segments together for rigidity where needed



Product Ordering

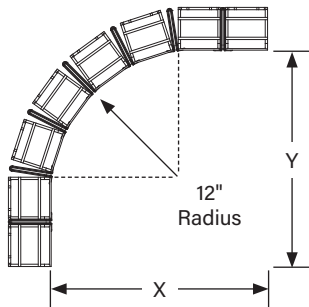
PART NAME	DEPTH	WIDTH
CABLOBEND 54/600*	54mm (2")	600mm (24")
CABLOBEND 105/300*	105mm (4")	300mm (12")
CABLOBEND 105/450*		450mm (18")
CABLOBEND 105/600*		600mm (24")
CABLOBEND 150/200*		200mm (8")
CABLOBEND 150/300*	150mm (6")	300mm (12")
CABLOBEND 150/450*		450mm (18")
CABLOBEND 150/600*		600mm (24")

*Represent finish. Add suffix "EZ" for silver electrozinc look or "BL" for black powder coat.
Each Cablobend Kit comes with Bendlock Kit for securing individual segments not being modified to increase rigidity of the final fitting.

Cablobend Product Capabilities Detail

Making a Vertical Drop:

1. Evaluate the below diagrams to determine which provides the best fit
2. Modify the Cablobend by cutting the appropriate sections and/or bending individual sections for best fit
3. Lock in unbent sections with bend clips to improve fitting rigidity
4. Splice Cablobend to adjacent tray straight sections with UL listed SWKs



VERTICAL BEND 90 DEGREE (EQUAL DISTANT BEND SEGMENTS)

No. of Sections Used	Distance (X)	Distance (Y)	≈ Radius
8	21"	21"	12"
7	17"	17"	8"
6	15"	15"	6"
5	12"	12"	3"

*Two rigid sections shown on each end.

Optional Radius - Vertical Bend 90 Degree With One Rigid Section On End

