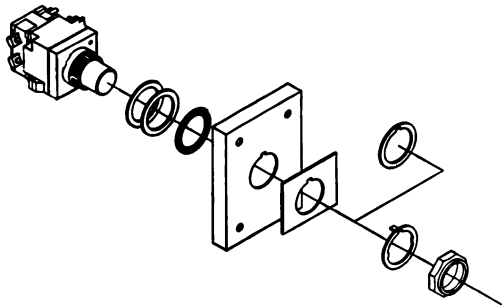
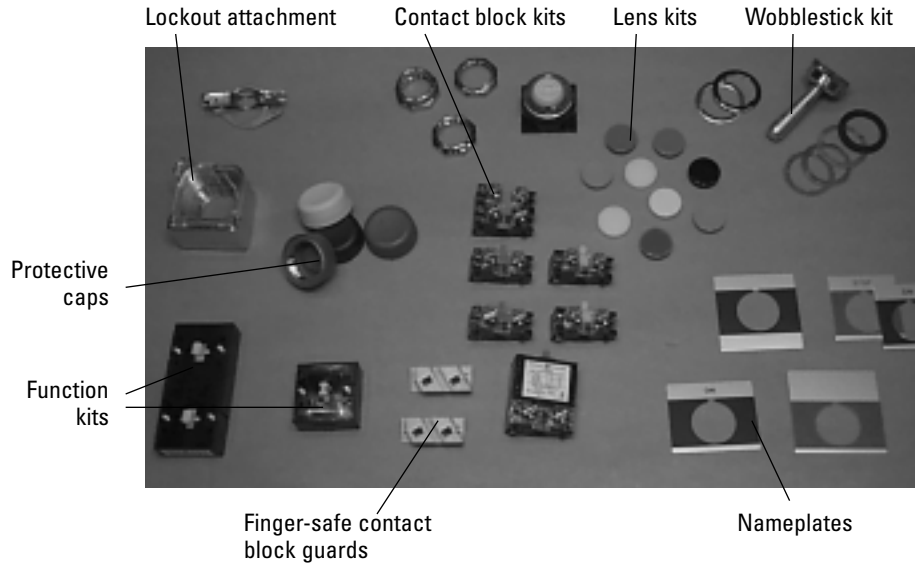


Non-illuminated Push Buttons

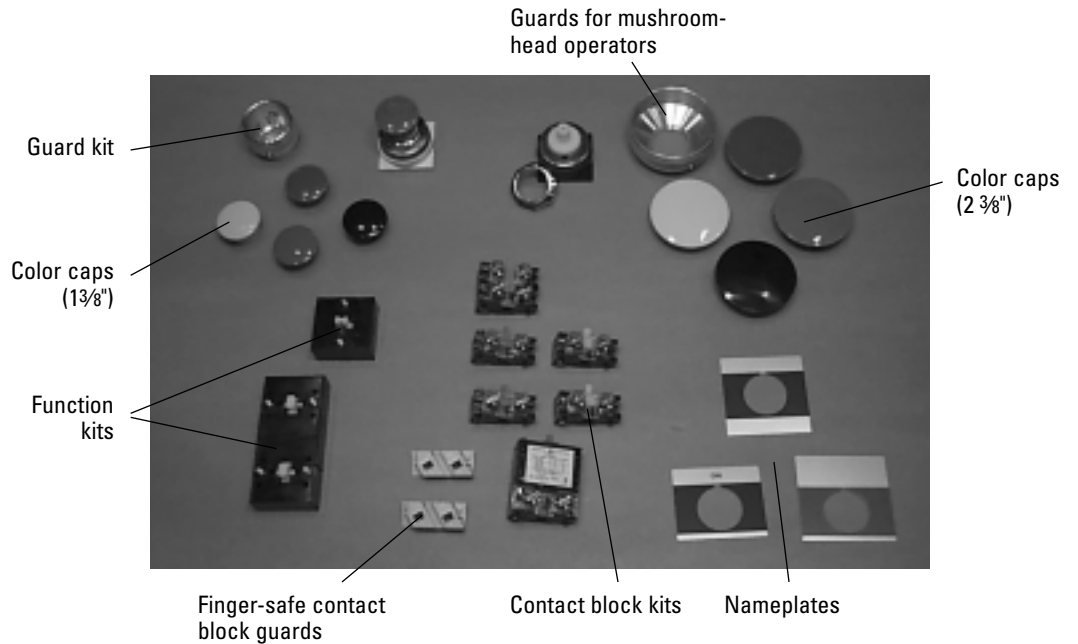


- Push Button Cap**
 - Interchangeable, snap-in design
 - 9 colors: red, black, green, brown, yellow, orange, blue, white, clear
- Mushroom Head**
 - 2 sizes: 1 3/8", 2 3/8"
 - 4 colors: black, red, green, yellow
- Mounting Ring**
 - Interchangeable design allows for flush, recessed or extended style on the same operator
- Contact Blocks**
 - Color coded for quick installation
 - Maximum of 8 single or 4 double contact blocks
 - Visible contacts for easy, accurate inspections
 - Special applications: early close, late open, gold flashed, reed switch

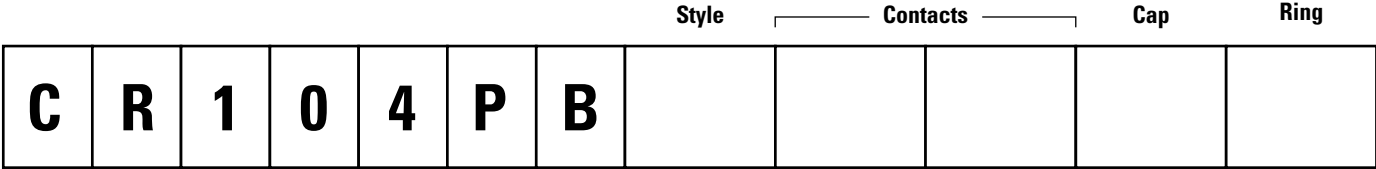
Accessories for push buttons



Accessories for mushroom-head push buttons



Non-illuminated Push Buttons



G = Standard
M = Mushroom-head

00 = None
01 = 1NC
10 = 1NO
91 = 1NO/1NC
92 = 2NO/2NC

1 = Flush
2 = Extended
3 = Recessed
5 = 1 3/8" (35mm)
6 = 2 3/8" (60mm)

| Availability | |
|--------------|---------------|
| Standard | Mushroom-head |
| ■ | |
| ■ | |
| ■ | |
| | ■ |
| | ■ |

| Availability | |
|----------------------|---------------|
| Standard Push Button | Mushroom-head |
| ■ | ■ |
| ■ | ■ |
| ■ | |
| ■ | ■ |
| ■ | ■ |
| ■ | |
| ■ | |
| ■ | ■ |
| ■ | |

A = No cap
B = Black
C = Clear
E = Yellow
G = Green
L = Blue
M = Orange
N = Brown
R = Red
W = White

Other forms available:

- Push-on, push-off
- Push-pull
- Two push buttons with maintained latch kit
- Two push buttons with mechanical interlock kit
- Wobble stick
- Key-operated push buttons

Tip for Quick Service: For small quantities, order operator with color cap universal kit and separate contact blocks. These items are typically in distributor stock (CR104PG00U1,V1). For OEM samples, order above components for field assembly and order any necessary recessed or extended rings separately.