



LED MR16

7.8MR16/PER/927/F35/Dim/EC/12V 10/1FB

Philips LED MR-16 lamps with single optic technology provide the look and color quality of traditional halogens while using a fraction of the energy. A perfect fit for spot lighting, they are compatible with most existing fixtures with MR16 GU5.3 holders and are designed as a retrofit replacement for halogen or incandescent spots.

Product data

General Information		Lamp Current (Nom)	
Cap-Base	GU5.3 [GU5.3]	Lamp Current (Nom)	880 mA
EU RoHS compliant	Yes	Wattage Equivalent	50 W
Nominal Lifetime (Nom)	25000 h	Starting Time (Nom)	0.5 s
Switching Cycle	50000X	Warm Up Time to 60% Light (Nom)	0.5 s
Technical Type	7.8-50W	Power Factor (Nom)	0.7
		Voltage (Nom)	ac electronic 12 V
Light Technical		Temperature	
Color Code	927	T-Case Maximum (Nom)	105 °C
Beam Angle (Nom)	35 °		
Luminous Flux (Nom)	480 lm	Controls and Dimming	
Luminous Intensity (Nom)	1320 cd	Dimmable	Yes
Color Designation	Warm White (WW)		
Correlated Color Temperature (Nom)	2700 K	Mechanical and Housing	
Luminous Efficacy (rated) (Nom)	61.00 lm/W	Bulb Finish	Clear
Color Consistency	<3	Bulb Material	Plastic
Color Rendering Index (Nom)	95	Bulb Shape	MR16 [2inch/50mm]
LLMF At End Of Nominal Lifetime (Nom)	70 %		
Operating and Electrical		Approval and Application	
Input Frequency	- Hz	Suitable For Accent Lighting	Yes
Power (Nom)	7.8 W	Energy Consumption kWh/1000 h	- kWh

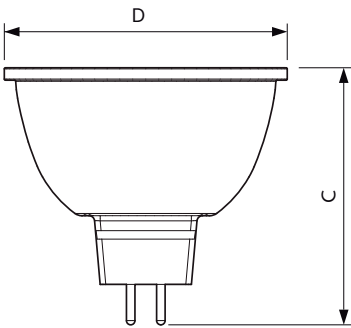
LED MR16

Product Data

Order product name	7.8MR16/PER/927/F35/Dim/EC/12V 10/1FB
EAN/UPC - Product	046677470197
Order code	929001873104
Numerator - Quantity Per Pack	1

Numerator - Packs per outer box	10
Material Nr. (12NC)	929001873104
Net Weight (Piece)	0.060 kg

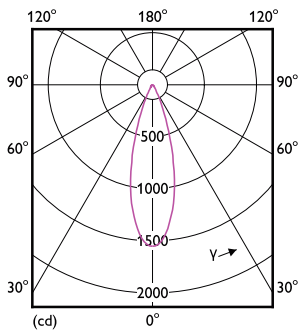
Dimensional drawing



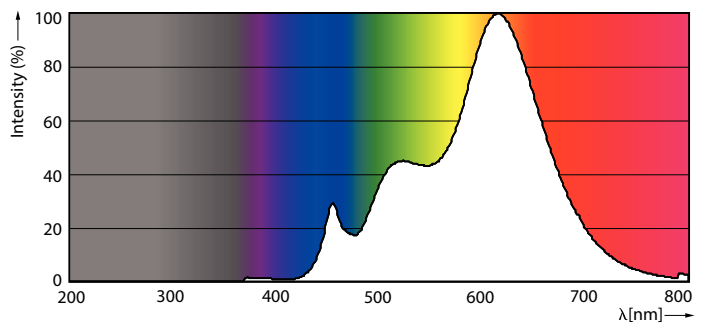
7.8MR16/PER/927/F35/Dim/EC/12V 10/1FB

Product	D	C
7.8MR16/PER/927/F35/Dim/EC/12V 10/1FB	51 mm	46 mm

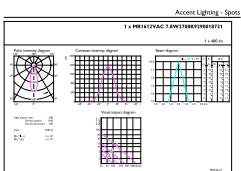
Photometric data



LEDspot 7.8W GU5.3 MR16 927 35D DIM



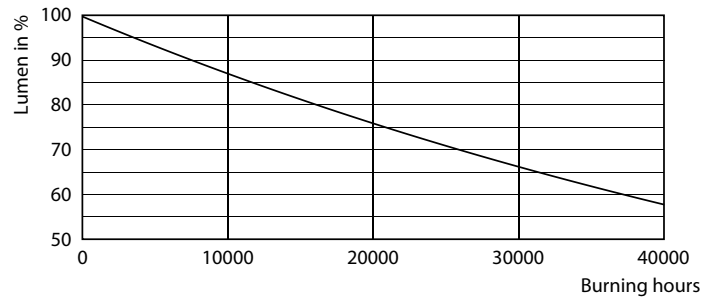
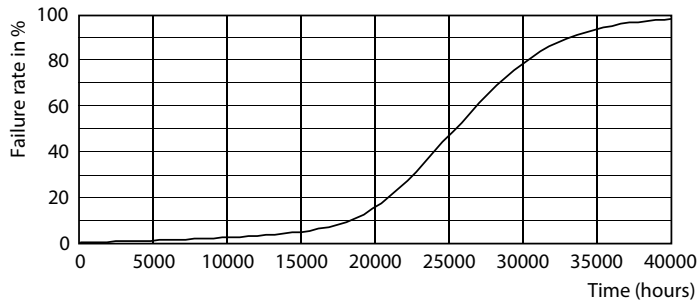
LEDspot 7.8W GU5.3 MR16 927 10D DIM



LEDspot 7.8W GU5.3 MR16 927 35D DIM

LED MR16

Lifetime



LEDspot 7.8W GU5.3 MR16 927 10D DIM

LEDspot 7.8W GU5.3 MR16 927 10D DIM

