



LED MR16

7.3MR16/LED/827/F25/DIM 12V 10/1FB

Philips LED MR-16 lamps with single optic technology provide the look and color quality of traditional halogens while using a fraction of the energy. A perfect fit for spot lighting, they are compatible with most existing fixtures with MR16 GU5.3 holders and are designed as a retrofit replacement for halogen or incandescent spots.

Product data

General information		Lamp Current (Nom)	
Cap-Base	GU5.3 [GU5.3]	Lamp Current (Nom)	830 mA
EU RoHS compliant	Yes	Wattage Equivalent	50 W
Nominal Lifetime (Nom)	25000 h	Starting Time (Nom)	0.5 s
Switching Cycle	50000X	Warm Up Time to 60% Light (Nom)	0.5 s
Technical Type	7.3-50W	Power Factor (Nom)	0.7
Voltage (Nom)		ac electronic 12 V	
Light technical		Temperature	
Color Code	827 [CCT of 2700K]	T-Case Maximum (Nom)	90 °C
Beam Angle (Nom)	25 °	Controls and dimming	
Luminous Flux (Nom)	515 lm	Dimmable	Yes
Luminous Intensity (Nom)	2400 cd	Mechanical and housing	
Color Designation	Warm White (WW)	Bulb Finish	Clear
Correlated Color Temperature (Nom)	2700 K	Bulb Material	Aluminum
Luminous Efficacy (rated) (Nom)	70.00 lm/W	Bulb Shape	MR16 [2inch/50mm]
Color Consistency	<4	Approval and application	
Color Rendering Index (Nom)	80	Suitable For Accent Lighting	Yes
LLMF At End Of Nominal Lifetime (Nom)	70 %	Energy Consumption kWh/1000 h	- kWh
Operating and electrical			
Input Frequency	- Hz		
Power (Rated) (Nom)	7.3 W		

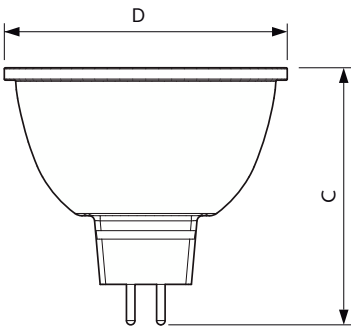
LED MR16

Product data

Order product name	7.3MR16/LED/827/F25/DIM 12V 10/1FB
EAN/UPC - Product	046677533113
Order code	533117
Numerator - Quantity Per Pack	1

Numerator - Packs per outer box	10
Material Nr. (12NC)	929001880704
Net Weight (Piece)	0.052 kg

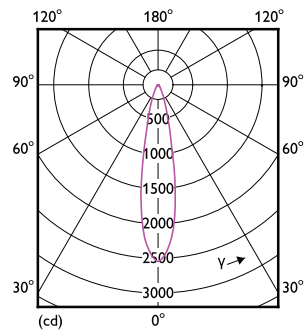
Dimensional drawing



7.3MR16/LED/827/F25/DIM 12V 10/1FB

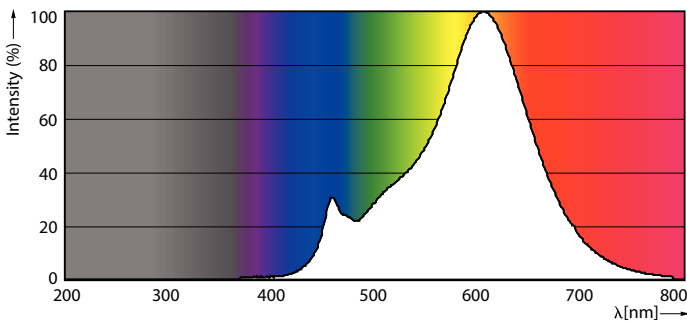
Product	D	C
7.3MR16/LED/827/F25/DIM 12V 10/1FB	50.5 mm	46.5 mm

Photometric data



LEDspot 7.3W GU5.3 MR16 827 25D DIM

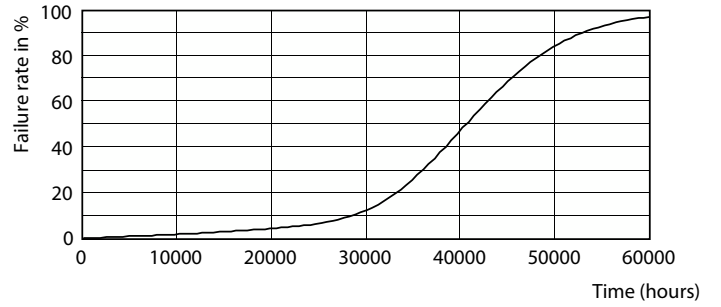
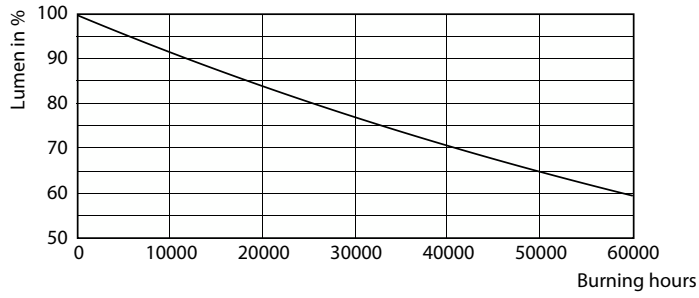
LEDspot 7.3W GU5.3 MR16 827 25D DIM



LEDspot 7.3W GU5.3 MR16 827 25-35D DIM

LED MR16

Lifetime



7-50W GU5-3 MR16

7-50W GU5-3 MR16

