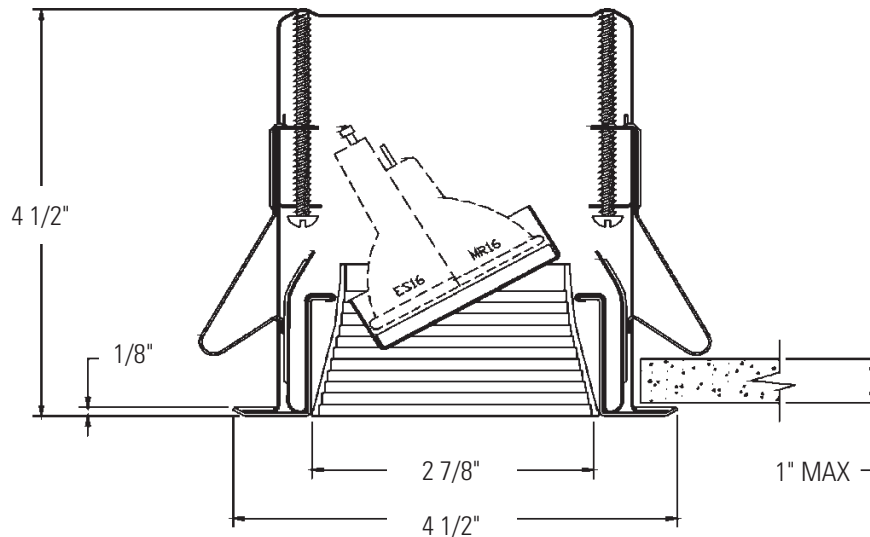


## LytePoints 3 3/4", MR16 & ES/ESD16, Aperture Adjustable Premium Die-Cast Step Baffle



Complete fixture consists of Reflector Trim & Power Pack. Select each separately

Reflector Trim	Frame-In Kit	Lamp
<b>305BKX</b> Black Step Baffle and White Flange	<b>Remodeler</b> 300MRSPX	50W MR16
<b>305ALPX</b> Aluminum Painted Step Baffle and Self-flange	<b>Remodeler</b> 3401MREX	50W MR16
<b>305WHWX</b> White Painted Step Baffle and Self-flange	<b>Remodeler</b> 300ESX	50W ES/ESD16 (GZ10)
	<b>Non-IC</b> 302MRSPX	50W MR16
	<b>Non-IC</b> 302MREX	50W MR16
	<b>Non-IC</b> 302ESX	50W ES/ESD16 (GZ10)
	<b>IC</b> 302MRIC7SPX	50W MR16
	<b>IC</b> 302MRIC9SPX	50W MR16
	<b>IC</b> 302ESICX	50W ES/ESD16 (GZ10)
	<b>Air Seal / IC</b> 302MRAICSPX	50W ES/ESD16 (GZ10)
	<b>Air Seal / IC</b> 302MRAICEX	50W MR16

### Features

- Housing:** 25ga. galvanized steel.
- Residence Mounting Clip:** Factory-installed ; zinc plated spring steel; free-hand installation.
- Flange Housing:** Cold rolled steel 22ga. White trim flange. (305BK)
- Step Baffle:** Die-cast aluminum with stepped conical surface for low brightness. Integral flange on 305ALP and 305WHW models.
- Adjustable Lampholder Support:** 27ga. steel; Rotates 358° horizontally and 0° to 35° vertically.
- Mounting Clips (2):** 24ga. spring steel, zinc plated. Provide easy snap-in / snap-out action.
- Lamp Guard:** 2" (51mm) dia. borosilicate glass.

### Frame-In Kit

**Note:** For complete Frame-In Kit specifications, see 300 frame specification sheets

### Accessories

#### Square Face Plate

- 300SQWH** White
- 300SQBK** Black

### Labels

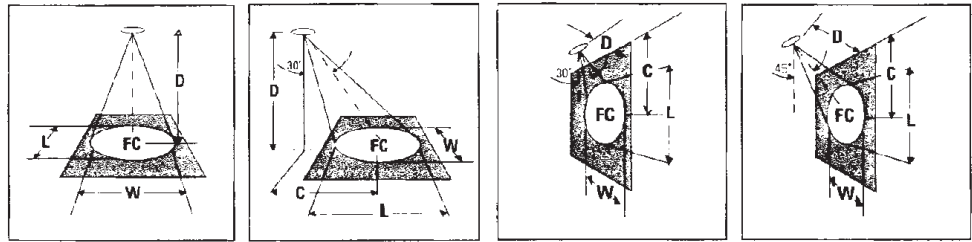
CSA , UL (Suitable for damp locations.)

Job Information	Type:
<b>Job Name:</b>	
<b>Cat. No.:</b>	
<b>Lamp(s):</b>	
<b>Notes:</b>	

## LytePoints 3 3/4", MR16 & ES/ESD16, Aperture Adjustable Premium Die-Cast Step Baffle

(FC) is initial footcandle at center of beam.  
 Beam length (L) and beam width (W) are to where the candlepower is reduced to 50% of center beam candlepower.  
 CBCP is center beam candlepower.  
 (C) is distance to the center of the beam.

Lamp data shown is typical, and is based on bare lamp photometrics. Contact lamp manufacturers for availability and performance.



Lamps	Beam Spread (To 50% CBCP)	CBCP	Rated Life (Hrs.)	0° AIMING ANGLE				30° AIMING ANGLE				30° AIMING ANGLE				45° AIMING ANGLE						
				D	FC	L	W	D	C	FC	L	W	D	C	FC	L	W	D	C	FC	L	W
<b>MR-16 LOW VOLTAGE HALOGEN BI-PIN LAMPS</b>																						
20W MR-16 VNSP (LZX)	7°	8200	3000	7'	167	0.9'	0.6'	6'	3.5'	148	1.0'	0.8'	2'	3.5'	256	1.0'	0.5'	4'	4.0'	181	1.0'	0.7'
				10'	82	1.2'	1.2'	9'	5.7'	66	1.5'	1.3'	3'	5.2'	114	1.5'	0.7'	6'	6.0'	81	1.5'	1.0'
				13'	49	1.6'	1.6'	12'	6.9'	37	2.0'	1.7'	4'	6.9'	64	2.0'	1.0'	8'	8.0'	45	2.0'	1.4'
				16'	32	2.0'	2.0'	15'	8.7'	24	2.3'	2.1'	5'	8.7'	41	2.5'	1.2'	10'	10.0'	29	2.5'	1.7'
20W MR-16 NSP (ESX)	13°	3600	3000	6'	100	1.4'	1.4'	5'	2.9'	94	1.5'	1.3'	2'	3.5'	113	1.3'	0.9'	3'	3.0	141	1.4'	1.0'
				8'	56	1.8'	1.8'	7'	4.0'	48	2.1'	1.8'	3'	5.2'	50	2.8'	1.4'	5'	5.0	51	2.3'	1.6'
				10'	35	2.3'	2.3'	9'	5.2'	29	2.7'	2.4'	4'	6.9'	28	3.8'	1.8'	7'	7.0'	26	3.2'	2.3'
				12'	25	2.7'	2.7'	11'	6.4'	19	3.4'	2.9'	5'	8.7'	18	4.7'	2.3'	9'	9.0'	16	4.2'	2.9'
20W MR-16 FL (BAB)	40°	525	4000	2'	131	1.5'	1.5'	2'	1.2'	85	2.0'	1.7'	1'	1.7'	66	4.8'	1.5'	2'	2.0'	46	3.4'	2.1'
				3'	58	2.2'	2.2'	3'	1.7'	38	3.0'	2.5'	2'	3.5'	16	9.7'	2.9'	3'	3.0'	21	5.0'	3.1'
				4'	33	2.9'	2.9'	4'	2.3'	21	4.1'	3.4'	3'	5.2'	7	14.5'	4.4'	4'	4.0'	12	6.7'	4.1'
				5'	21	3.5'	3.6'	5'	2.9'	14	5.1'	4.2'	4'	6.9'	4	19.3'	5.8'	5'	5.0'	7	8.4'	5.1'
35W MR-16 NSP (FPB)	12°	8700	4000	7'	178	1.5'	1.5'	6'	3.5'	157	1.7'	1.5'	2'	3.5'	272	1.7'	0.8'	4'	4.0'	192	1.7'	1.2'
				10'	87	2.1'	2.1'	9'	5.2'	70	2.5'	2.2'	3'	5.2'	121	2.6'	1.3'	6'	6.0'	85	2.6'	1.8'
				13'	51	2.7'	2.7'	12'	6.9'	39	3.4'	2.9'	4'	6.9'	68	3.5'	1.7'	8'	8.0'	48	3.4'	2.4'
				16'	34	3.4'	3.4'	15'	8.7'	25	4.2'	3.5'	5'	8.7'	44	4.3'	2.1'	10'	10.0'	31	4.3'	3.0'
35W MR-16 SP (FRA)	20°	3900	4000	6'	108	2.1'	2.1'	5'	2.9	101	2.4'	2.3'	2'	3.5'	122	3.1'	1.4'	3'	3.0'	153	2.2'	1.5'
				8'	61	2.8'	2.8'	7'	4.0'	52	3.3'	2.9'	3'	5.2'	54	4.7'	2.1'	5'	5.0	55	3.6'	2.5'
				10'	39	3.5'	3.5'	9'	5.2'	31	4.3'	3.7'	4'	6.9'	30	6.2'	2.8'	7'	7.0	28	5.1'	3.5'
				12'	27	4.2'	4.2'	11'	6.4'	21	5.2'	4.5'	5'	8.7'	20	7.8'	3.5'	9'	9.0'	17	6.6'	4.5'
35W MR-16 FL (FMW)	40°	1600	4000	4'	100	2.9'	2.9'	3'	1.7'	115	3.0'	2.5'	1'	1.7'	200	4.8'	1.5'	3'	3.0'	65	5.0'	3.1'
				6'	44	4.4'	4.4'	5'	2.9'	42	5.1'	4.2'	2'	3.5'	50	9.7'	2.9'	4'	4.0'	35	6.7'	4.1'
				8'	25	5.8'	5.8'	7'	4.0'	21	7.1'	5.8'	3'	5.2'	22	14.5'	4.4'	5'	5.0'	23	8.4'	5.1'
				10'	16	7.3'	7.3'	9'	5.2'	13	9.1'	7.6'	4'	6.9'	13	19.3'	5.8'	6'	6.0'	16	10.1'	6.2'
37W MR-16 IR (NSP)	10°	11500	4000	6'	180	1.4'	1.4'	7'	4.0'	152	1.6'	1.4'	3'	5.2'	160	2.1'	1.0'	5'	5.0'	183	1.8'	1.2'
				12'	80	2.1'	2.1'	10'	5.8'	75	2.3'	2.0'	4'	6.9'	90'	2.9'	1.4'	7'	7.0'	83	2.5'	1.7'
				16'	45	2.8'	2.8'	13'	7.5'	44	3.0'	2.8'	5'	8.7'	58	3.6'	1.7'	9'	9.0'	50	3.2'	2.2'
				20'	29	3.5'	3.5'	16'	9.2'	29	3.7'	3.2'	6'	10.4'	40	4.3'	2.1'	11'	11.0'	34	3.9'	2.7'
37W MR-16 IR (NFL)	25°	3500	4000	6'	97	2.7'	2.7'	5'	2.9'	91	3.0'	2.6'	2'	3.5'	109	4.2'	1.8'	3'	3.0'	137	2.8'	1.9'
				8'	55	3.5'	3.5'	7'	4.0'	46	4.2'	3.6'	3'	5.2'	49	6.2'	2.7'	5'	5.0'	49	4.7'	3.1'
				10'	35	4.4'	4.4'	9'	5.2'	28	5.4'	4.6'	4'	6.9'	27	8.3'	3.5'	7'	7.0'	25	6.5'	4.4'
				12'	24	5.3'	5.3'	11'	6.4'	19	6.6'	5.6'	5'	8.7'	18'	10.4'	4.4'	9'	9.0'	15	8.4'	5.6'
37W MR-16 IR (FL)	40°	2053	4000	4'	128	2.9'	2.9'	3'	1.7'	148	3.0'	2.5'	1'	1.7'	258	4.8'	1.5'	3'	3.0'	61	5.0'	3.1'
				6'	57	4.4'	4.4'	5'	2.9'	53	5.1'	4.2'	2'	3.5'	64	9.7'	2.9'	4'	4.0	45	6.7'	4.1'
				8'	32	5.8'	5.8'	7'	4.0'	27	7.1'	5.9'	3'	5.2'	29	14.5'	4.4'	5'	5.0'	29	8.4'	5.1'
				10'	21	7.3'	7.3'	9'	5.2'	15	9.1'	7.6'	4'	6.9'	15	19.3'	5.8'	6'	6.0'	20	10.1'	6.2'
42W MR-16 VNSP (EZY)	9°	13,100	3500	8'	205	1.3'	1.3'	7'	4.0	174	1.5'	1.3'	3'	5.2'	182	1.9'	0.9'	5'	5.0'	185	1.6'	1.1'
				12'	91	1.9'	1.9'	10'	5.8'	85	2.1'	1.8'	4'	6.9'	102	2.6'	1.3'	7'	7.0	95	2.2'	1.5'
				16'	51	2.5'	2.5'	13'	7.5'	50	2.7'	2.4'	5'	8.7'	66	3.2'	1.5'	9'	9.0'	57	2.8'	2.0'
				20'	33	3.1'	3.1'	16'	9.2'	33	3.4'	2.9'	6'	10.4'	45	3.8'	1.9'	11'	11.0'	38	3.5'	2.4'
42W MR-16 NFL (EYS)	27°	2400	4000	4'	150	1.9'	1.9'	3'	1.7'	173	2.0'	1.7'	1'	1.7'	300	2.3'	1.0'	3'	3.0	94	3.1'	2.0'
				6'	67	2.9'	2.9'	5'	2.9'	62	3.3'	2.8'	2'	3.5'	75	4.6'	1.9'	4'	4.0'	53	4.1'	2.7'
				8'	38	3.8'	3.8'	7'	4.0'	32	4.6'	3.9'	3'	5.2'	33	7.0'	2.9'	5'	5.0'	34	5.1'	3.4'
				10'	24	4.8'	4.8'	9'	5.2'	19	5.9'	5.0'	4'	6.9'	19	9.3'	3.6'	6'	6.0'	24	6.1'	4.1'



© 2013 Koninklijke Philips N.V. (Royal Philips). All rights reserved.  
 Specifications are subject to change without notice.  
[www.philips.com/luminaires](http://www.philips.com/luminaires)

305X 06/13

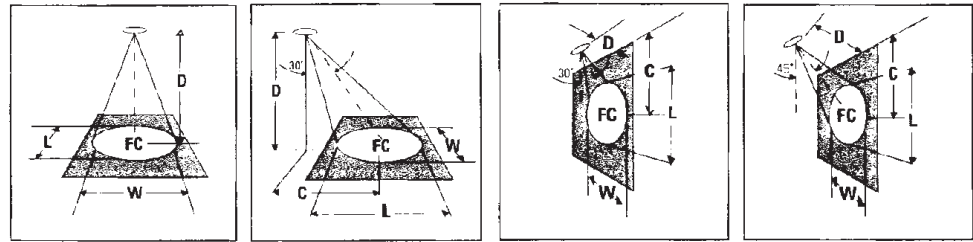
Philips Lighting Company  
 200 Franklin Square Drive  
 Somerset, NJ 08873  
 Phone: 855-486-2216

Philips Lighting Company  
 281 Hillmount Road  
 Markham ON, Canada L6C 2S3  
 Phone: 905-201-4100

## LytePoints 3 3/4", MR16 & ES/ESD16, Aperture Adjustable Premium Die-Cast Step Baffle

(FC) is initial footcandle at center of beam.  
 Beam length (L) and beam width (W) are to where the candlepower is reduced to 50% of center beam candlepower.  
 CBCP is center beam candlepower.  
 (C) is distance to the center of the beam.

Lamp data shown is typical, and is based on bare lamp photometrics. Contact lamp manufacturers for availability and performance.



Lamps	Beam Spread (to 50% CBCP)	CBCP	Rated Life (Hrs.)	0° AIMING ANGLE				30° AIMING ANGLE				30° AIMING ANGLE				45° AIMING ANGLE						
				D	FC	L	W	D	C	FC	L	W	D	C	FC	L	W	D	C	FC	L	W
<b>MR-16 LOW VOLTAGE HALOGEN BI-PIN LAMPS</b>																						
50W MR-16 NSP (LXT)	14°	10,200	4000	8'	159	2.0'	2.0'	7'	4.0'	135	2.3'	2.0'	3'	5.2'	142	3.1'	1.5'	5'	5.0'	144	2.5'	1.7'
				12'	71	2.9'	2.9'	10'	5.8'	66	3.3'	2.8'	4'	6.9'	80	4.1'	2.0'	7'	7.0'	74	3.5'	2.4'
				15'	40	3.8'	3.9'	13'	7.5'	39	4.3'	3.7'	5'	8.7'	51	5.1'	2.5'	9'	9.0'	45	4.5'	3.1'
				23'	25	4.9'	4.3'	15'	9.2'	28	5.3'	4.5'	6'	10.4'	35	6.2'	2.9'	11'	11.0'	30	5.5'	3.8'
50W MR-16 NFL (EXZ)	27°	3400	4000	6'	94	2.9'	2.9'	5'	2.9'	88	3.3'	2.8'	2'	3.5'	106	4.6'	1.9'	3'	3.0'	134	3.1'	2.0'
				8'	53	3.8'	3.8'	7'	4.0'	45	4.6'	3.9'	3'	5.2'	47	7.0'	2.9'	5'	5.0'	48	5.1'	3.4'
				10'	34	4.8'	4.8'	9'	5.2'	27	5.9'	5.0'	4'	6.9'	27	9.3'	3.6'	7'	7.0'	25	7.1'	4.8'
				12'	24	5.8'	5.8'	11'	6.4'	18	7.2'	6.1'	5'	8.7'	17	11.6'	4.8'	9'	9.0'	15	9.2'	6.1'
50W MR-16 FL (EXN)	40°	1850	4000	4'	116	2.9'	2.9'	3'	1.7'	134	3.0'	2.5'	1'	1.7'	231	4.8'	1.5'	3'	3.0'	73	5.0'	3.1'
				6'	51	4.4'	4.4'	5'	2.9'	48	5.1'	4.2'	2'	3.5'	58	9.7'	2.9'	4'	4.0'	41	6.7'	4.1'
				8'	29	5.8'	5.8'	7'	4.0'	25	7.1'	5.9'	3'	5.2'	26	14.5'	4.4'	5'	5.0'	26	8.4'	5.1'
				10'	19	7.3'	7.3'	9'	5.2'	15	9.1'	7.6'	4'	6.9'	14	19.3'	5.8'	6'	6.0'	18	10.1'	6.2'
50W MR-16 WFL (FNV)	55°	1150	4000	3'	126	3.1'	3.1'	3'	1.7'	83	4.6'	3.6'	1'	1.7'	144	22.3'	2.1'	2'	2.0'	102	5.7'	2.9'
				5'	46	5.2'	5.2'	5'	2.9'	30	7.6'	6.0'	2'	3.5'	36	44.5'	4.2'	3'	3.0'	45	8.6'	4.4'
				7'	23	7.3'	7.3'	7'	4.0'	15	10.7'	8.4'	3'	5.2'	6	66.8'	6.2'	4'	4.0'	25	11.4'	5.9'
				9'	14	9.4'	9.4'	9'	5.2'	9	13.7'	10.8'	4'	6.9'	9	89.1'	8.3'	5'	5.0'	16	14.3'	7.4'
73W MR-16 SP	10°	14000	4000	8'	219	1.4'	1.4'	7'	4.0'	186	1.6'	1.4'	3'	5.2'	194	2.1'	1.0'	5'	5.0'	198	1.8'	1.2'
				12'	97	2.1'	2.1'	10'	5.8'	91	2.3'	2.0'	4'	6.9'	109	2.9'	1.4'	7'	7.0'	101	2.5'	1.7'
				16'	55	2.8'	2.9'	13'	7.5'	54	3.0'	2.6'	5'	8.7'	70	3.6'	1.7'	9'	9.0'	61	3.2'	2.5'
				20'	35	3.5'	3.5'	16'	9.2'	36	3.7'	3.2'	6'	10.4'	49	4.3'	2.1'	11'	11.0'	41	3.8'	2.7'
73W MR-16 FL	36°	2500	4000	4'	156	2.5'	2.5'	3'	1.7'	180	2.7'	2.3'	1'	1.7'	313	3.8'	1.3'	3	3.0'	98	4.4'	2.8'
				6'	59	3.8'	3.8'	5'	2.9'	65	4.5'	3.8'	2'	3.5'	78	7.5'	2.6'	4	4.0'	55	5.8'	3.7'
				8'	39	5.2'	5.2'	7'	4.0'	33	6.3'	5.3'	3'	5.2'	35	11.4'	3.9'	5	5.0'	35	7.3'	4.6'
				10'	25	6.5'	6.5'	9'	5.2'	20	6.1'	6.6'	4'	6.9'	20	15.2'	5.2'	6	6.0'	25	6.7'	5.5'
75W MR-16 NSP (FVFL)	14°	12,000	4000	8'	188	2.0'	2.0'	7'	4.0'	159	2.3'	2.0'	3'	5.2'	167	3.1'	1.5'	5'	5.0'	170	2.5'	1.7'
				12'	83	2.9'	2.9'	10'	5.8'	78	3.3'	2.8'	4'	6.9'	94	4.1'	2.0'	7'	7.0'	87	3.5'	2.4'
				16'	47	3.9'	3.9'	13'	7.5'	40	4.3'	3.7'	5'	8.7'	60	5.1'	2.5'	9'	9.0'	52	4.5'	3.1'
				20'	30	4.9'	4.9'	16'	9.2'	30	5.3'	4.5'	6'	10.4'	42	6.2'	2.9'	11'	11.0'	35	5.5'	3.8'
75W MR-16 NFL (EYJ)	25°	4900	4000	6'	136	2.7'	2.7'	5'	2.9'	127	3.0'	2.6'	2'	3.5'	153	4.2'	1.8'	3'	3.0'	192	2.8'	1.9'
				8'	77	3.5'	3.5'	7'	4.0'	65	4.2'	3.6'	3'	5.2'	88	6.2'	2.7'	5'	5.0'	69	4.7'	3.1'
				10'	49	4.4'	4.4'	9'	5.2'	39	5.4'	4.6'	4'	6.9'	38	8.3'	3.5'	7'	7.0'	45	6.5'	4.4'
				12'	34	5.3'	5.3'	11'	6.4'	26	6.6'	5.6'	5'	8.7'	25	10.4'	4.4'	9'	9.0'	21	8.4'	5.6'
75W MR-16 FL (EYC)	42°	2100	4000	4'	131	3.1'	3.1'	3'	1.7'	152	3.2'	2.7'	1'	1.7'	263	5.5'	1.5'	3'	3.0'	62	5.4'	3.3'
				6'	58	4.6'	4.6'	5'	2.9'	55	5.4'	4.4'	2'	3.5'	66	11.0'	3.1'	4'	4.0'	48	7.2'	4.3'
				8'	33	6.1'	6.1'	7'	4.0'	28	7.5'	6.2'	3'	5.2'	25	16.5'	4.6'	5'	5.0'	30	9.0'	5.4'
				10'	21	7.7'	7.7'	9'	5.2'	17	9.7'	6.0'	4'	6.9'	16	22.0'	6.1'	6'	6.0'	21	10.8'	6.5'
<b>MR-16 HALOGEN LOW VOLTAGE BI-PIN LAMPS WITH ALUMINIZED (NON-DICHROIC) REFLECTORS</b>																						
50W MR-16 NSP	11°	10,500	3500	8'	164	1.5'	1.5'	7'	4.0'	139	1.8'	1.6'	3'	5.2'	146	2.4'	1.2'	5'	5.0'	148	1.9'	1.4'
				12'	73	2.3'	2.3'	10'	5.8'	68	2.6'	2.2'	4'	6.9'	82	3.2'	1.5'	7'	7.0'	76	2.7'	1.9'
				16'	41	3.1'	3.1'	13'	7.5'	40	3.3'	2.9'	5'	8.7'	53	4.0'	1.9'	9'	9.0'	46	3.5'	2.5'
				20'	26	3.9'	3.9'	16'	9.2'	27	4.1'	3.6'	6'	10.4'	36	4.8'	2.3'	11'	11.0'	31	4.3'	3.0'
50W MR-16 NFL	25°	3000	3500	6'	83	2.7'	2.7'	5'	2.9'	78	3.0'	2.6'	2'	3.5'	94	4.2'	1.8'	3'	3.0'	118	2.8'	1.9'
				8'	47	3.5'	3.5'	7'	4.0'	40	4.2'	3.6'	3'	5.2'	42	6.2'	2.7'	5'	5.0'	42	4.7'	3.1'
				10'	30	4.4'	4.4'	9'	5.2'	24	5.4'	4.6'	4'	6.9'	23	8.3'	3.5'	7'	7.0'	22	6.5'	4.4'
				12'	21	5.3'	5.3'	11'	6.4'	16	6.6'	5.6'	5'	8.7'	15	10.4'	4.4'	9'	9.0'	13	8.4'	5.6'
50W MR-16 FL	40°	1900	3500	4'	119	2.9'	2.9'	3'	1.7'	137	3.0'	2.5'	1'	1.7'	238	4.8'	1.5'	3'	3.0'	75	5.0'	3.1'
				6'	53	4.4'	4.4'	5'	2.9'	49	5.1'	4.2'	2'	2.9'	59	9.7'	2.9'	4'	4.0'	42	6.7'	4.1'
				8'	30	5.8'	5.8'	7'	4.0'	25	7.1'	5.9'	3'	4.0'	26	14.5'	4.4'	5'	5.0'	27	8.4'	5.1'
				10'	19	7.3'	7.3'	9'	5.2'	15	9.1'	7.6'	4'	5.2'	15	19.3'	5.8'	6'	6.0'	19	10.1'	6.2'



© 2013 Koninklijke Philips N.V. (Royal Philips). All rights reserved.  
 Specifications are subject to change without notice.  
[www.philips.com/luminaires](http://www.philips.com/luminaires)

305X 06/13

Philips Lighting Company  
 200 Franklin Square Drive  
 Somerset, NJ 08873  
 Phone: 855-486-2216

Philips Lighting Company  
 281 Hillmount Road  
 Markham ON, Canada L6C 2S3  
 Phone: 905-201-4100