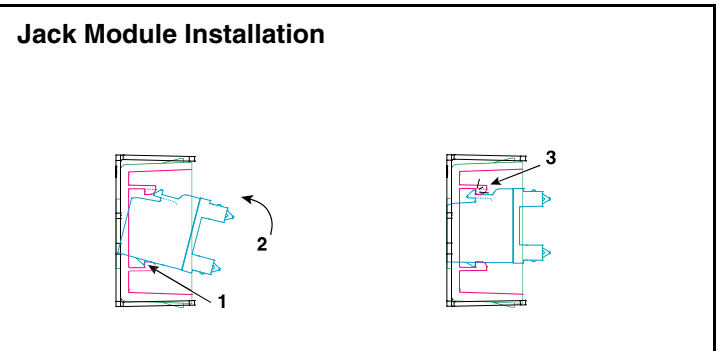
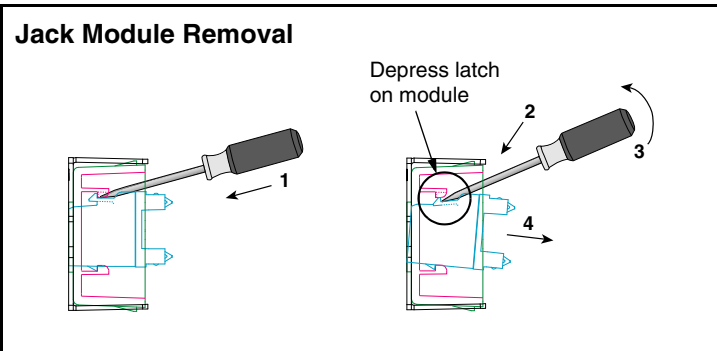
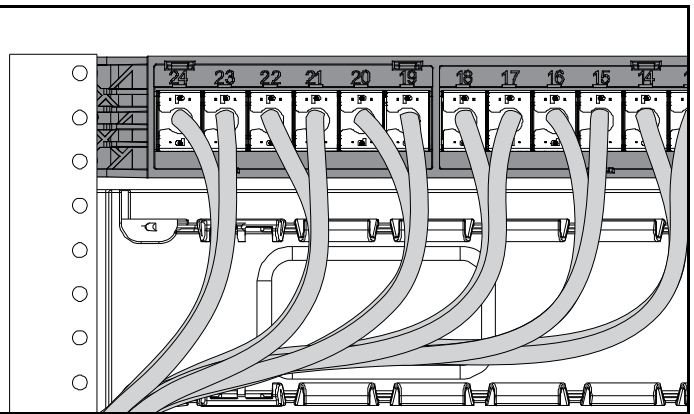
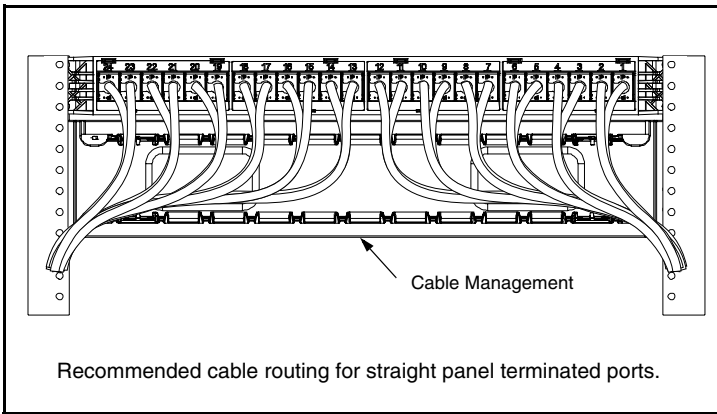


**RECOMMENDED CABLE ROUTING**



**Notes:**

1. NetKey All Molded Patch Panels can terminate most 22-26 AWG solid or stranded wire with a 0.050" (1.27mm) max. o.d., either PVC or plenum rated.
2. Never install wire into a slot previously used for a larger gauge wire.
3. Never install communications wiring during a lightning storm.
4. Never install communications wiring in wet locations unless the module is specifically designed for use in wet locations.
5. Never touch uninsulated communications wiring or terminals unless the communication line has been disconnected at the network interface.
6. Use caution when installing or modifying communication wiring.

**COLOR-CODED WIRE POSITIONS**

Pin outs	T568B	
5	WHITE/BLUE	T1
4	BLUE	R1
3	WHITE/GREEN	T3
6	GREEN	R3
1	WHITE/ORANGE	T2
2	ORANGE	R2
7	WHITE/BROWN	T4
8	BROWN	R4



Pin outs	T568A	
5	WHITE/BLUE	T1
4	BLUE	R1
1	WHITE/GREEN	T2
2	GREEN	R2
3	WHITE/ORANGE	T3
6	ORANGE	R3
7	WHITE/BROWN	T4
8	BROWN	R4

For Instructions in Local Languages and Technical Support:

[www.panduit.com/resources/install\\_maintain.asp](http://www.panduit.com/resources/install_maintain.asp)



[www.panduit.com](http://www.panduit.com)

E-mail: [techsupport@panduit.com](mailto:techsupport@panduit.com)

Phone: 866-405-6654